

# Series 806 Mil-Aero Connectors

## Size 22HD Thermocouple Pin and Socket Contacts



**Thermocouple Contacts.** Size 22 high density thermocouple contacts for use in harsh environment, temperature measuring applications. Contacts are crimp termination type.

**Table I: Contact Part Numbers, Material Type and Color Band**

PART NUMBER		MATERIAL TYPE	COLOR BAND	
PIN	SOCKET		1ST BAND	2ND BAND
850-144-1A	850-145-1A	IAW ASTM-E230, TYPE K (-)	RED	NONE
850-144-1C	850-145-1C	IAW ASTM-E230, TYPE K (+)	YELLOW	NONE
850-144-2A	850-145-2A	IAW ASTM-E230, TYPE K (-)	RED	BLUE
850-144-2C	850-145-2C	IAW ASTM-E230, TYPE K (+)	NONE	BLUE

**Table I: Wire Accomodation Diameter**

PART NUMBER		A DIA
PIN	SOCKET	
850-144-1A	850-145-1A	.0335 (0.851) - .0355 (0.902)
850-144-1C	850-145-1C	
850-144-2A	850-145-2A	.0229 (0.582) - .0245 (0.622)
850-144-2C	850-145-2C	

### Termination Tools

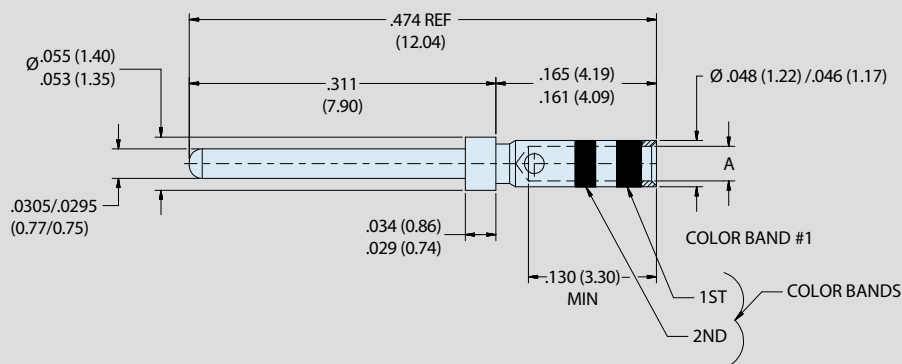
#### 850-145:

- Crimp Tool: 809-015 (M22250/2-01)
- Positioner for 850-145-1: 809-005
- Positioner for 850-145-2: 809-057
- Insertion/Extraction Tool: 809-088

#### 850-144:

- Crimp Tool: 809-015 (M22250/2-01)
- Positioner for 850-144-1: 859-147
- Positioner for 850-144-2: 859-148
- Insertion/Extraction Tool: 809-088

### Pin Contact 850-144



### Socket Contact 850-145

