

ENVIRONMENTAL, MICRO MINIATURE CIRCULAR
Series 806
Mil-Aero Connectors
Size 8 Crimp Removable Power Contacts



Military grade. Gold plating. size #8 contacts accept #8 AWG wire. Compatible with Series 806 connectors with size 8 contact cavities. Crimp termination. Bulk packaged.

#8 Power Contacts						
Contact Type	Wire Size AWG	Grommet Follower	Part Number	Crimp Tool	Die Assembly	Locator
Pin	#8	no	850-159	859-025 (M22520/23-01)	859-026 (M22520/23-02)	859-046 or 859-164 (recommended)
Pin	#8	yes	850-159F			
Socket	#8	no	850-158	859-025 (M22520/23-01)	809-026 (M22520/23-02)	
Socket	#8	yes	850-158F			

Specifications

- Operating temperature: -65°C to +200°C
- Current rating 46 A
- DWV:
- Accommodates size #8 AWG wire
- Meets performance requirements of SAE AS39029/45

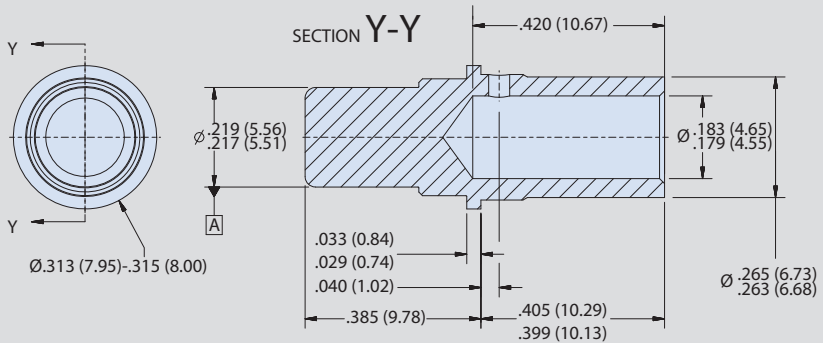
Construction

- Copper alloy, 50 microinches gold over nickel plating

Termination Tools

- Crimp Tool: 859-025 (M22520/23-01)
- Die Assembly: 8569-026 (M22520/23-02)
- Locator: 859-046.
- Spring loaded locator recommended: 859-164

Pin Contact 850-159



Socket Contact 850-158

