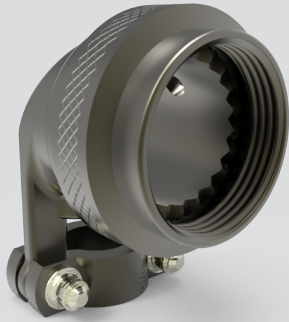


Series 806 Mil-Aero Connectors

620V*080 Strain Relief Cable Clamp Backshell, Straight, 45°, 90°



How To Order ThermoRex Series 806 Mil-Aero Jam-nut Receptacle						
SAMPLE PART NUMBER		620V	A	080	NF	16
Series / Basic Part No.	620V ThermoRex strain relief cable clamp					
Angular Function	S = Straight A = 90° B = 45°					
Basic Number	080					
Finish Sym, Table II	ME, MT, NF, ZR, Z1					
Shell Size, Table I	08, 09, 10, 11, 12, 14, 16, 18, 20, 22, 24					

Series 62 backshells for high temperature ThermoRex plug and receptacle connectors are rated to perform from -65° to 300°C. Anti-decoupling device for improved vibration resistance and detents to allow for axial positioning of backshell for improved cable routing.

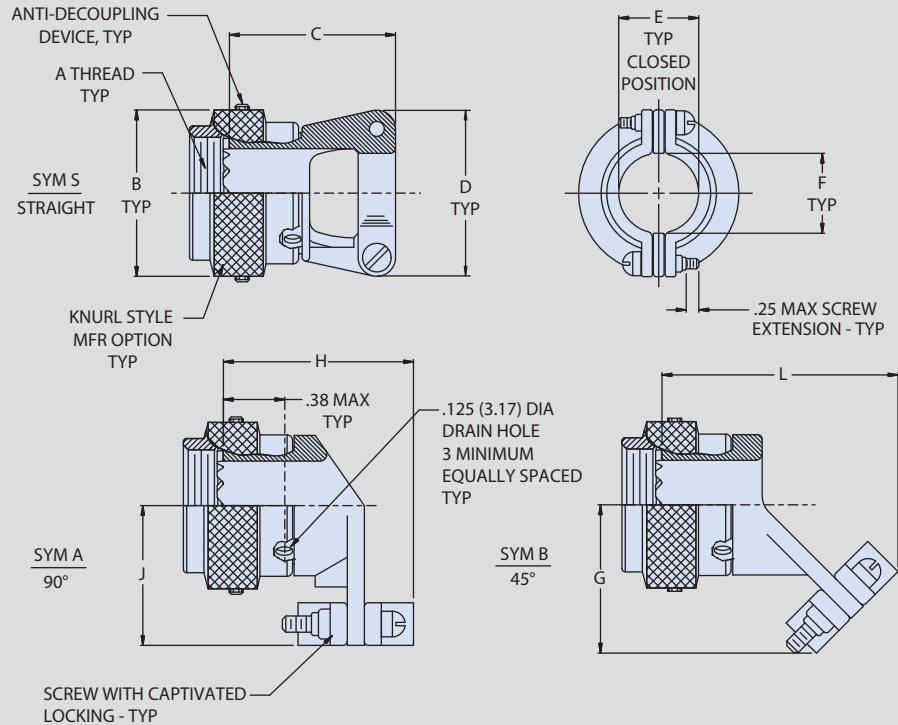


Table II: Material and Finish		
Symbol	Material	Finish Description
ME	Alum. Alloy	Electroless Nickel
MT		Nickel-PTFE
NF		Cadmium Plate/Olive Drab over Nickel
ZR	Stainless Steel	Zinc Nickel Black over Electroless Nickel (RoHS)
Z1		Passivate

Table I: Dimensions										
Shell Size	A Thread ISO Metric	B Dia Max	C Max	D Max	E +0.031 (0.79)	F Min	G Max	H Max	J Max	L Max
07										
08	M10 x 1-6H	0.642 (16.31)	0.710 (18.03)	0.93 (23.62)	0.205 (5.21)	0.18 (4.57)	0.891 (22.63)	1.04 (26.42)	0.87 (22.10)	1.30 (33.02)
09	M12 x 1-6H	0.735 (18.67)	0.840 (21.34)	0.98 (24.89)	0.219 (5.56)	0.22 (5.59)	0.901 (22.89)	1.06 (26.92)	0.91 (23.11)	1.32 (33.53)
10	M14 x 1-6H	0.786 (19.96)	0.900 (22.86)	1.02 (25.91)	0.244 (6.20)	0.25 (6.35)	0.945 (24.00)	1.08 (27.43)	0.95 (24.13)	1.35 (34.29)
11	M15 x 1-6H	0.830 (21.08)	0.960 (24.38)	1.05 (26.67)	0.264 (6.71)	0.27 (6.86)	0.964 (24.49)	1.10 (27.94)	0.97 (24.64)	1.36 (34.54)
12	M17 x 1-6H	0.911 (23.14)	1.060 (26.92)	1.12 (28.45)	0.312 (7.92)	0.32 (8.13)	1.030 (26.16)	1.15 (29.21)	1.03 (26.16)	1.41 (35.81)
14	M19 x 1-6H	1.002 (25.45)	1.100 (27.94)	1.20 (30.48)	0.344 (8.74)	0.35 (8.89)	1.050 (26.67)	1.18 (29.97)	1.06 (26.92)	1.43 (36.32)
16	M22 x 1-6H	1.149 (29.18)	1.100 (27.94)	1.30 (33.02)	0.460 (11.68)	0.47 (11.94)	1.112 (28.24)	1.30 (33.02)	1.16 (29.46)	1.48 (37.59)
18	M25 x 1-6H	1.264 (32.11)	1.230 (31.24)	1.44 (36.58)	0.545 (13.84)	0.55 (13.97)	1.175 (29.85)	1.38 (35.05)	1.34 (34.04)	1.58 (40.13)
20	M28 x 1-6H	1.394 (35.41)	1.410 (35.81)	1.56 (39.62)	0.615 (15.62)	0.62 (15.75)	1.230 (31.24)	1.46 (37.08)	1.41 (35.81)	1.70 (43.18)
22	M31 x 1-6H	1.513 (38.43)	1.510 (38.35)	1.69 (42.93)	0.698 (17.73)	0.70 (17.78)	1.293 (32.84)	1.58 (40.13)	1.53 (38.86)	1.74 (44.20)
24	M34 x 1-6H	1.631 (41.43)	1.660 (42.16)	1.77 (44.96)	0.780 (19.81)	0.78 (19.81)	1.365 (34.67)	1.62 (41.15)	1.66 (42.16)	1.79 (45.47)