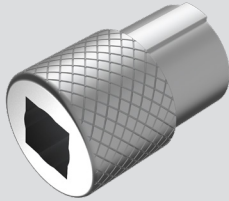


Series 806 Mil-Aero Connectors

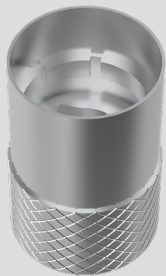
600-221 Connector Holding Tool

600-221 SERIES 806 CONNECTOR HOLDING TOOLS

Connector holding tools keep connectors stationary while tightening coupling nut of backshell onto connector. Nickel-plated alloy steel. Tool fits ¼ inch square socket drive.



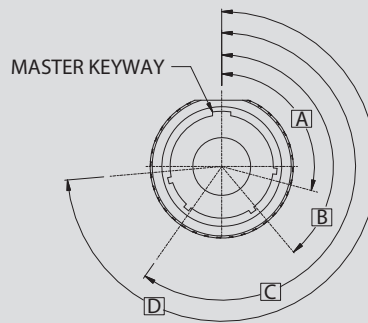
Receptacle holding tool



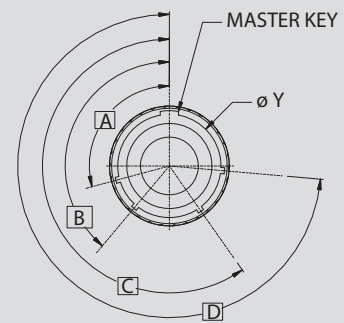
Plug holding tool

600-221	-11	P	A	K
Basic Part No	Shell Size	P = Plug R = Receptacle	Polarization A, B, C, D, E or F	Add "K" for full kit in designated polarization

Shell Size	Recommended Backshell Torque (In-Lbs)		
	Standard Min/Max	Composite Min/Max	High Vibration Min/Max
7	25/35	17/22	35/45
8	25/35	20/25	42/52
9	30/40	20/30	51/61
10	30/40	20/30	63/73
11	30/40	20/30	71/81
12	30/40	25/35	79/89
14	35/45	25/35	105/115
16	35/45	25/35	111/121
18	35/45	30/40	111/121
20	35/45	30/40	111/121
22	75/85	35/45	131/141
24	75/85	35/45	131/141



Plug Holder
Polarization Keyway



Receptacle Holder
Polarization Key