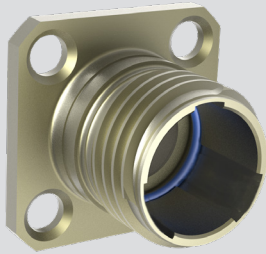


ENVIRONMENTAL, MICRO MINIATURE CIRCULAR
Series 806
Mil-Aero Connectors
Dummy Stowage Receptacle 650-088



DUMMY STOWAGE RECEPTACLES

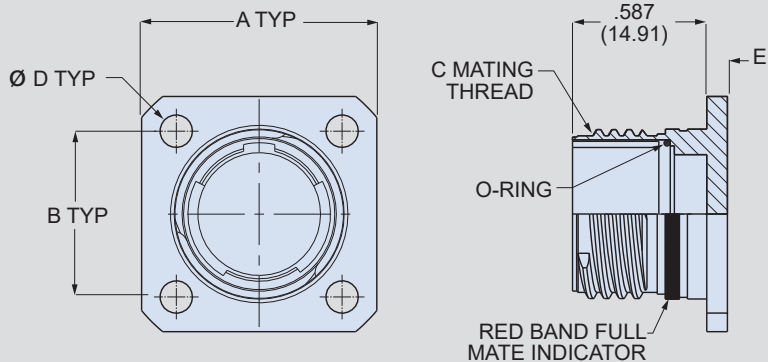
Dummy stowage receptacles secure plug ends of cables during maintenance and storage. Mates with Series 806 plug connectors. Universal keying. O-ring provides environmental seal. Aluminum or stainless steel.



Construction

- Shell: aluminum alloy or stainless steel. See How to Order table for finish options
- O-ring: fluorosilicone

How To Order			
SAMPLE PART NUMBER	650-088	ME	12
Product	650-088 = Stowage receptacle for Series 806 plugs		
Finish	Aluminum	Material	Code
		Electroless Nickel	ME
		Nickel-PTFE	MT
	Stainless Steel	Olive Drab Cadmium	NF
		Black Zinc-Nickel	ZR
		Passivate	Z1
Nickel	ZL		
Shell Size	7 8 9 10 11 12 14 16 18 20 22 24		



650-088 Dummy Receptacle Dimensions									
Shell Size	A Max		B		C Thread	ØD		E Max	
	In.	mm.	In.	mm.		In.	mm.	In.	mm.
7	.750	19	.469	11.9	.4375-.067P-.2L-TS-2A	.128	3.25	.100	2.54
8	.822	20.88	.531	13.49	.5000-.067P-.2L-TS-2A	.128	3.25	.100	2.54
9	.885	22.48	.594	15.09	.5625-.067P-.2L-TS-2A	.128	3.25	.100	2.54
10	.913	23.19	.625	15.88	.6250-.067P-.2L-TS-2A	.128	3.25	.100	2.54
11	.944	23.98	.670	17.02	.6875-.067P-.2L-TS-2A	.128	3.25	.100	2.54
12	1.040	26.42	.765	19.43	.7500-.067P-.2L-TS-2A	.128	3.25	.100	2.54
14	1.133	28.78	.859	21.82	.8750-.067P-.2L-TS-2A	.128	3.25	.100	2.54
16	1.227	31.17	.938	23.83	1.0000-.067P-.2L-TS-2A	.128	3.25	.100	2.54
18	1.320	33.53	1.016	25.81	1.1250-.067P-.2L-TS-2A	.128	3.25	.100	2.54
20	1.444	36.68	1.109	28.17	1.2500-.067P-.2L-TS-2A	.154	3.91	.125	3.18
22	1.570	39.88	1.203	30.56	1.3750-.067P-.2L-TS-2A	.154	3.91	.125	3.18
24	1.696	43.08	1.312	33.32	1.5000-.067P-.2L-TS-2A	.154	3.91	.125	3.18