

ENVIRONMENTAL, MICRO MINIATURE CIRCULAR
Series 806
Mil-Aero Connectors
Series 806 Hex Jam-Nut with Wire Holes



SERIES 806 HEX JAM-NUT

Replace lost or damaged hex jam-nuts with these standard replacement parts. Jam-nut fits all Series 80 jam-nut receptacles. Use with Glenair tool 600-146



How To Order					
SAMPLE PART NUMBER		806-035	ME	10	W
Product	806-035 = Jam-nut for Series 806 jam-nut receptacles				
Finish	See Table I for material and finish options				
Shell Size	7 8 9 10 11 12 14 16 18 20 22 24				
Wire Hole	W = Wire hole; omit for none				

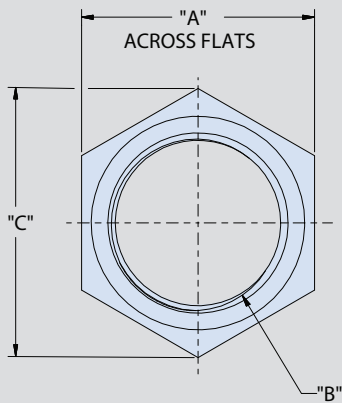


Table I: Dimensions			
Shell Size	"A" Hex	B Thread	C
7	.76 (19.30)	M8 x 1.06h 0.100 R	.88 (22.35)
8	.82 (20.83)	M15 x 1.06h 0.100 R	.92 (23.37)
9	.86 (21.84)	M16 x 1.06h 0.100 R	.97 (24.64)
10	.94 (23.88)	M18 x 1.06h 0.100 R	1.06 (26.92)
11	.98 (24.89)	M19 x 1.06h 0.100 R	1.10 (27.94)
12	1.06 (26.92)	M21 x 1.06h 0.100 R	1.19 (30.23)
14	1.26 (32.00)	M24 x 1.06h 0.100 R	1.42 (36.07)
16	1.31 (33.27)	M27 x 1.06h 0.100 R	1.48 (37.59)
18	1.41 (35.81)	M30 x 1.06h 0.100 R	1.60 (40.64)
20	1.58 (40.13)	M34 x 1.06h 0.100 R	1.79 (45.47)
22	1.71 (43.43)	M37 x 1.06h 0.100 R	1.94 (49.28)
24	1.86 (47.24)	M41 x 1.06h 0.100 R	2.12 (53.85)

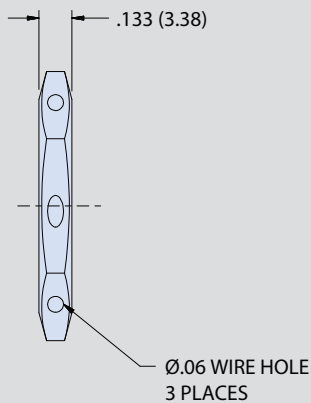


Table I: Dimensions		
Code	Material	Finish
NF	Aluminum Alloy	Cad/O.D. over Electroless Nickel
MT	Aluminum Alloy	Nickel-PTFE
ME	Aluminum Alloy	Electroless Nickel (96 hour sale spray)
ZR	Aluminum Alloy	Zinc Ni, Black (ti-valent cr)
Z1	Stainless Steel	Passivate
ZL	Stainless Steel	Electro-deposited nickel