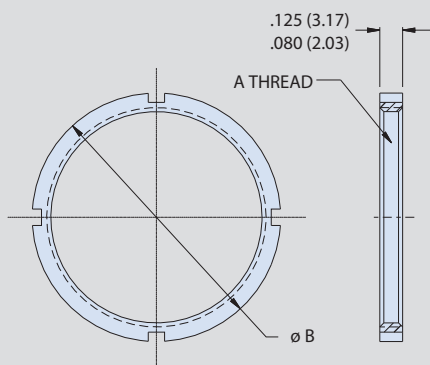


# Series 806 Mil-Aero Connectors

## 809-444 Low Profile Jam-nut, 600-246 Spanner tool



### SERIES 806 LOW PROFILE JAM-NUT



Replace standard hex-profile jam-nuts with special Series 806 low-profile jam-nuts. Ideal for use when multiple receptacles are mounted close together on a box interface.

<b>809-444</b>	<b>-ME</b>	<b>8</b>
Product Series and Basic Number	Material and Finish See Table II	Dash Number, See Table I

Dash No.	Thread A	B ±.020 Dia.
7	M13 x 1.0-6H	.705 (17.91)
8	M15 x 1.0-6H	.766 (19.46)
9	M16 x 1.0-6H	.829 (21.06)
10	M18 x 1.0-6H	.891 (22.63)
11	M19 x 1.0-6H	.954 (24.23)
12	M21 x 1.0-6H	1.016 (25.81)
14	M24 x 1.0-6H	1.149 (29.18)
16	M27 x 1.0-6H	1.272 (32.31)
18	M30 x 1.0-6H	1.397 (35.48)
20	M34 x 1.0-6H	1.567 (39.80)
22	M37 x 1.0-6H	1.690 (42.93)
24	M41 x 1.0-6H	1.880 (47.75)

Class	Material	Finish Description
ME		Electroless nickel
MT		Nickel-PTFE
NF	Aluminum	Olive drab cadmium over electroless nickel finish
ZR		Zinc nickel black over electroless nickel. RoHS compliant
Z1	Stainless Steel	Passivate
ZL	Steel	Electrodeposited nickel

### 600-246 SERIES 806 CONNECTOR LOW-PROFILE JAM-NUT SPANNER TOOL

Tool used to tighten Series 806 low-profile jam-nuts. Fits 3/8" torque wrench socket drive. Heat-treated steel, nickel plated.



Shell Size	Part Number	Jam-nut Torque In-Lbs.		Jam-nut Thread Size Reference
		Min.	Max.	
7	<a href="#">600-246-7</a>	20	25	M13 x 1.0-6H
8	<a href="#">600-246-8</a>	20	25	M15 x 1.0-6H
9	<a href="#">600-246-9</a>	20	25	M16 x 1.0-6H
10	<a href="#">600-246-10</a>	25	30	M18 x 1.0-6H
11	<a href="#">600-246-11</a>	25	30	M19 x 1.0-6H
12	<a href="#">600-246-12</a>	25	30	M21 x 1.0-6H
14	<a href="#">600-246-14</a>	25	30	M24 x 1.0-6H
16	<a href="#">600-246-16</a>	25	30	M27 x 1.0-6H
18	<a href="#">600-246-18</a>	25	30	M30 x 1.0-6H
20	<a href="#">600-246-20</a>	25	30	M34 x 1.0-6H
22	<a href="#">600-246-22</a>	25	30	M37 x 1.0-6H
24	<a href="#">600-246-24</a>	25	30	M41 x 1.0-6H
<b>All Shell Sizes</b>	<a href="#">600-246-KIT</a>	25	30	All Listed Above