

QPL QUALIFIED

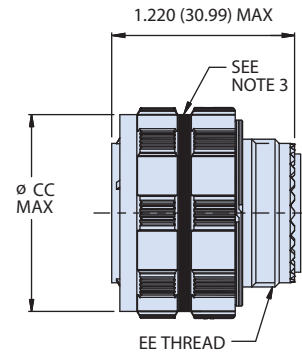
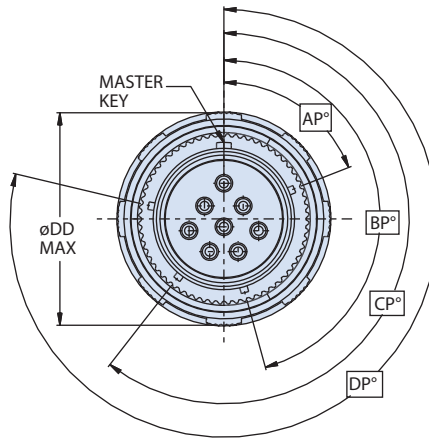
MIL-DTL-38999 Series III, Triple-Start Thread

D38999/26 plug with crimp rear release contacts and rear accessory threads



SERIES III ENVIRONMENTAL

QPL Part Number Development						
Sample Part Number	D38999/26	W	A	35	P	N
D38999 Series III	D38999/26 = Plug with accessory threads					
Class	<p>W = Environmental, aluminum, cadmium O.D. over electroless nickel (500 hour salt spray), -65°C to +175°C, conductive plating</p> <p>F = Environmental, aluminum, electroless nickel (48 hour salt spray), -65°C to +200°C, conductive plating</p> <p>G = Environmental, aluminum, electroless nickel (48 hour salt spray), matte finish, space grade, -65°C to +200°C, conductive plating</p> <p>T = Environmental, aluminum, Nickel-PTFE, -65°C to +175°C, conductive plating</p>					
Shell Size Code	A, B, C, D, E, F, G, H and J (per MIL-STD-1560)					
Insert Arrangement	Per MIL-STD-1560; See reference information information section for details					
Contact Type	P = Pin, 500 cycles A = Pin insert, less standard contacts S = Socket, 500 cycles B = Socket insert, less standard contacts					
Alternate Polarization	N (Normal), A, B, C, D, E see polarization position table					



Series III Alternate Key and Keyway Polarization																				
Shell Size Code	Shell Size	Key and Keyway ID Code	AP° BSC	BP° BSC	CP° BSC	DP° BSC	Shell Size Code	Shell Size	Key and Keyway ID Code	AP° BSC	BP° BSC	CP° BSC	DP° BSC	Shell Size Code	Shell Size	Key and Keyway ID Code	AP° BSC	BP° BSC	CP° BSC	DP° BSC
A	9	N	105	140	215	265	B C D	11 13 15	N	95	141	208	236	E F G H J	17 19 21 23 25	N	80	142	196	293
		A	102	132	248	320			A	113	156	182	292			A	135	170	200	310
		B	80	118	230	312			B	90	145	195	252			B	49	169	200	244
		C	35	140	205	275			C	53	156	220	255			C	66	140	200	257
		D	64	155	234	304			D	119	146	176	298			D	62	145	180	280
		E	91	131	197	240			E	51	141	184	242			E	79	153	197	272

MIL-DTL-38999 Series III, Triple-Start Thread



233-105-26 plug with crimp rear release contacts and rear accessory threads

SERIES III ENVIRONMENTAL

COTS Part Number Development							
Sample Part Number	233-105-26	MA	11	-35	P	N	186T
Series / Basic Part No.	233-105-26 = Plug with accessory threads						
Material/Finish	NF = Aluminum, cadmium O.D. over electroless nickel (500 hour salt spray), -65°C to +175°C, conductive plating ME = Aluminum, electroless nickel (48 hour salt spray), -65°C to +200°C, conductive plating MA* = Aluminum, electroless nickel (48 hour salt spray), matte finish, space grade, -65°C to +200°C, conductive plating MT = Aluminum, nickel-PTFE, -65°C to +175°C, conductive plating ZR = Aluminum, zinc nickel-black G2 = Aluminum, hard, anodic, non conductive .0020 inch minimum thickness.						
Shell Size	9, 11, 13, 15, 17, 19, 21, 23, 25						
Contact Arrangement	Per MIL-STD-1560; See reference information section for details						
Contact Type	P = Pin Insert A = Pin Gender, Less Contacts S = Socket Insert B = Socket Gender, Less Contacts						
Alternate Polarization	A, B, C, D, E, N (Normal), U (Universal)						
Optional Mod Code	LC = Less contacts 186T = Thermal vacuum outgassing						

* Connectors must be ordered with "MA" finish and modification code "-186T" to conform to the thermal vacuum outgassing requirements of Class G. Additional material/finish options are available, consult factory for ordering information.

Dimensions				
Shell Size Code	Shell Size	ØCC Max	ØDD Max	EE Thread 1.0-6g 0.100R
A	09	.732 (18.60)	.858 (21.79)	M12
B	11	.839 (21.30)	.984 (24.99)	M15
C	13	1.008 (25.60)	1.157 (29.39)	M18
D	15	1.138 (28.90)	1.280 (32.51)	M22
E	17	1.276 (32.40)	1.406 (35.71)	M25
F	19	1.382 (35.10)	1.516 (38.51)	M28
G	21	1.508 (38.30)	1.642 (41.71)	M31
H	23	1.626 (41.30)	1.768 (44.91)	M34
J	25	1.752 (44.50)	1.890 (48.01)	M37

NOTES

1. Insert arrangements per MIL-STD-1560,
2. Connector is supplied with contacts (including spares), insertion/removal tool and sealing plugs unless otherwise specified.
3. Blue color band indicates rear release retention system.

Additional Material/Finish Options	
Finish Code	Description
ZR	Aluminum, zinc nickel-black
G2	Aluminum, hard, anodic, non conductive .0020 in min thickness