

QPL QUALIFIED

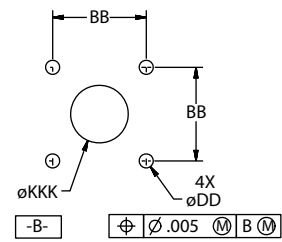
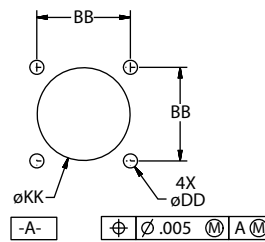
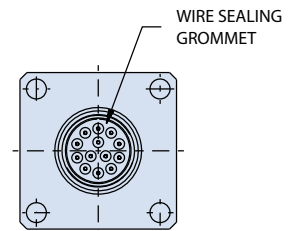
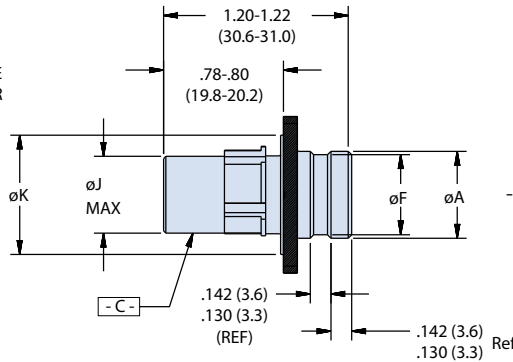
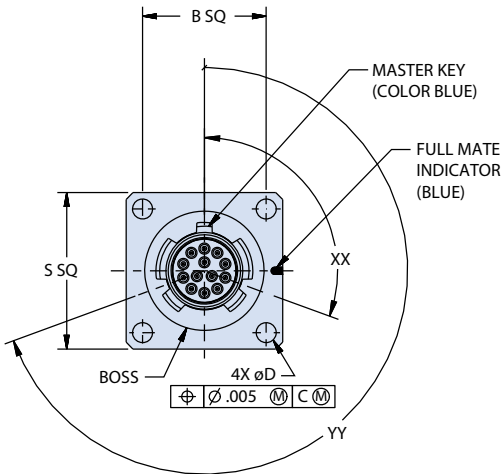
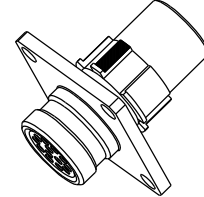
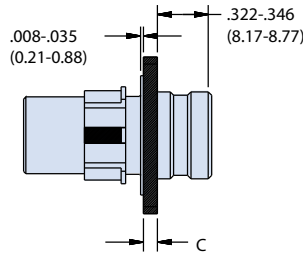
MIL-DTL-38999 Series IV, Breech Coupling

38999/42 box mount receptacle with rear release crimp contacts



SERIES IV ENVIRONMENTAL

QPL Part Number Development						
Sample Part Number	D38999/42 W J 30 P N					
MIL-DTL-38999	38999/42 = Box mount receptacle					
Class	F = Environmental, aluminum, electroless nickel, conductive, -65°C to +200°C W = Environmental, aluminum, cadmium olive drab, conductive, -65°C to +175°C G = Environmental, aluminum, electroless nickel, conductive, -65°C to +200°C (space-grade)					
Shell Size	B, C, D, E, F, G, H, J					
Insert Arrangement	Per MIL-STD-1560; See reference information section for details					
Contact Style	P = Pin Insert A = Pin Gender, Less Contacts S = Socket Insert B = Socket Gender, Less Contacts					
Polarization	N (Normal), A, B, C, D, K, L, M, R; see polarization positions table					



Polarization Position									
	N	A	B	C	D	K	L	M	R
XX	110°	100°	90°	80°	70°	120°	120°	120°	120°
YY	250°	260°	270°	280°	290°	255°	265°	275°	285°

Recommended panel cutout
 .125 max panel thickness
 rear panel mount

Recommended panel cutout
 .125 max panel thickness
 front panel mount

COTS EQUIVALENT MIL-DTL-38999 Series IV, Breech Coupling



234-105-42 box mount receptacle with rear release crimp contacts

SERIES IV ENVIRONMENTAL

COTS Part Number Development						
Sample Part Number	234-105-42	NF	11	-35	P	N
Series / Basic Part No.	234-105-42 = Environmental, box mount receptacle					
Material/Finish	ME = Aluminum, electroless nickel, conductive, -65°C to +200°C NF = Aluminum, cadmium olive drab, conductive, -65°C to +175°C MA† = Aluminum, electroless nickel, conductive, -65°C to +200°C (space-grade)					
Shell Size	11, 13, 15, 17, 19, 21, 23, 25					
Insert Arrangement	Per MIL-STD-1560; See reference information section for details					
Contact Style	P = Pin Insert A = Pin Gender, Less Contacts S = Socket Insert B = Socket Gender, Less Contacts					
Polarization	N (Normal), A, B, C, D, K, L, M, R; see polarization position position table					

† Connectors must be ordered with "MA" finish and modification code "-186T" to conform to the thermal vacuum outgassing requirements of Class G. Additional material/finish options are available, consult factory for ordering information.

Dimensions									
Shell Size	Shell Size Code	ØA	B Bsc	C	ØD	ØF	ØJ	ØK	S
11	B	.579 (14.71) .563 (14.30)	.812 (20.62)	.102 (2.6) .083 (2.1)	.138 (3.50) .122 (3.10)	.535 (13.59) .520 (13.21)	.509 (12.93)	.793 (20.15) .778 (19.76)	1.051 (26.7) 1.008 (25.6)
13	C	.693 (17.60) .677 (17.20)	.906 (23.02)			.650 (16.51) .634 (16.10)	.634 (16.10)	.919 (23.35) .904 (22.96)	1.146 (29.1) 1.102 (28.0)
15	D	.819 (20.80) .803 (20.40)	.969 (24.61)			.772 (19.61) .756 (19.20)	.759 (19.28)	1.044 (26.52) 1.029 (26.13)	1.240 (31.5) 1.197 (30.4)
17	E	.945 (24.00) .929 (23.60)	1.062 (26.98)			.898 (22.81) .882 (22.40)	.885 (22.48)	1.170 (29.72) 1.115 (28.33)	1.335 (33.9) 1.291 (32.8)
19	F	1.051 (26.70) 1.035 (26.29)	1.156 (29.36)			1.004 (25.50) .988 (25.10)	1.009 (25.63)	1.294 (32.87) 1.279 (32.48)	1.461 (37.1) 1.417 (36.0)
21	G	1.173 (29.79) 1.157 (29.39)	1.250 (31.76)			1.130 (28.70) 1.114 (28.30)	1.134 (28.80)	1.419 (36.05) 1.404 (35.66)	1.583 (40.2) 1.539 (39.1)
23	H	1.299 (32.99) 1.283 (32.59)	1.375 (34.93)	.134 (3.4) .114 (2.9)	.157 (4.00) .142 (3.60)	1.256 (31.90) 1.240 (31.50)	1.259 (31.98)	1.544 (39.22) 1.332 (33.83)	1.709 (43.4) 1.665 (42.3)
25	J	1.425 (36.20) 1.409 (35.79)	1.500 (38.10)	1.378 (35.00) 1.362 (34.59)		1.384 (35.15)	1.669 (42.40) 1.654 (42.01)	1.835 (46.6) 1.791 (45.5)	

Panel Cut-Out Dimensions					
Shell Size	Shell Size Code	Rear Panel Mount ØK	Front Panel Mount ØKK	BB BSC	ØDD
11	B	.796 (20.22)	.625 (15.88)	.812 (20.62)	.133 (3.38) .123 (3.12)
13	C	.922 (23.42)	.750 (19.05)	.906 (23.01)	
15	D	1.047 (26.59)	.906 (23.01)	.969 (24.61)	
17	E	1.219 (30.96)	1.016 (25.81)	1.062 (26.97)	
19	F	1.297 (32.94)	1.141 (28.98)	1.156 (29.36)	
21	G	1.422 (36.12)	1.266 (32.16)	1.250 (31.75)	
23	H	1.547 (39.29)	1.375 (34.92)	1.375 (34.92)	.159 (4.04) .149 (3.78)
25	J	1.672 (42.47)	1.484 (37.69)	1.500 (38.10)	.155 (3.94) .145 (3.68)

Additional Material/Finish Options	
Finish Code	Description
G2	Aluminum, anodize, hardcoat
ZR	Aluminum, zinc nickel, black (tri-valent cr)
MT	Aluminum, nickel PTFE
MA†	Aluminum, electroless nickel (space-grade)
ZL‡	Stainless steel, electro-deposited nickel
Z1‡	Stainless steel, passivated

‡ Available in receptacle only, not firewall rated.