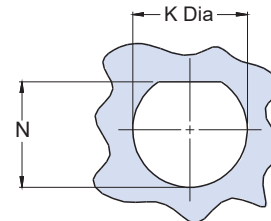
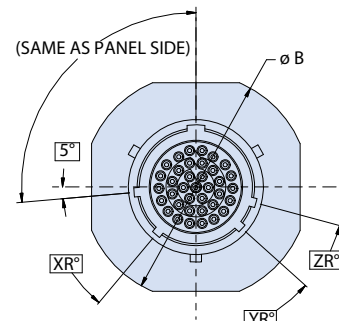
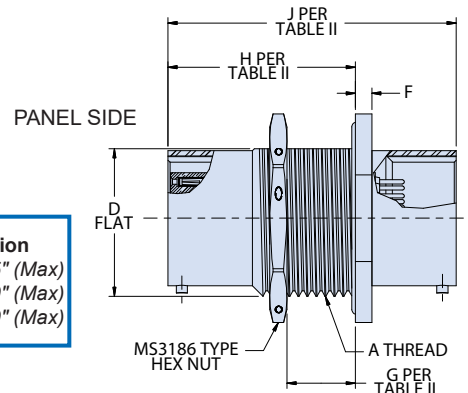
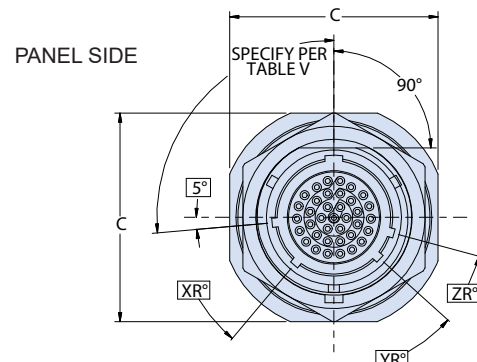
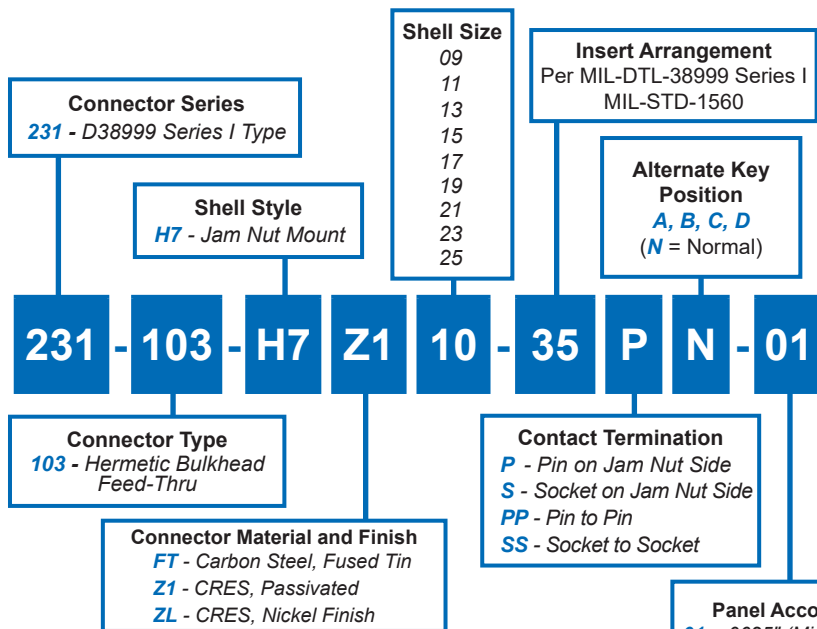




# 231-103-H7 Jam Nut Mount Hermetic Bulkhead Feed-Thru MIL-DTL-38999 Series I Type



**TABLE II**

Sym	G	H	J
01	.062(1.57) - .125 (3.17)	.920 (23.37)	1.700 (43.18)
02	.062(1.57) - .250(6.35)	1.060 (26.92)	1.850 (46.99)
03	.062(1.57) - .500(12.70)	1.310 (33.27)	2.100 (53.34)

**TABLE I: CONNECTOR DIMENSIONS**

SHELL SIZE	A THREAD CLASS 2A	B DIA	C A/F	D FLAT	F	K Dia	N
9	.6875-24	1.204 (30.58)	1.078 (27.38)	.655 (16.64)	.125 (3.18)	.703 (17.86)	.661 (16.79)
	UNEF	1.172 (29.77)	1.046 (26.57)	.645 (16.38)	.093 (2.36)	.693 (17.60)	.655 (16.64)
11	.8125-20	1.391 (35.33)	1.266 (32.16)	.755 (19.18)	.125 (3.18)	.835 (21.21)	.771 (19.58)
	UNEF	1.359 (34.52)	1.234 (31.34)	.745 (18.92)	.093 (2.36)	.825 (20.96)	.761 (19.33)
13	1.000-20	1.516 (38.51)	1.391 (35.33)	.942 (23.93)	.125 (3.18)	1.020 (25.91)	.955 (24.26)
	UNEF	1.484 (37.69)	1.359 (34.52)	.932 (23.67)	.093 (2.36)	1.010 (25.65)	.945 (24.00)
15	1.125-18	1.641 (41.68)	1.516 (38.51)	1.066 (27.08)	.125 (3.18)	1.145 (29.08)	1.085 (27.56)
	UNEF	1.609 (40.87)	1.484 (37.69)	1.056 (26.82)	.093 (2.36)	1.135 (28.83)	1.075 (27.30)
17	1.250-18	1.766 (44.86)	1.641 (41.68)	1.191 (30.25)	.125 (3.18)	1.270 (32.26)	1.210 (30.73)
	UNEF	1.734 (44.04)	1.609 (40.87)	1.181 (30.00)	.093 (2.36)	1.260 (32.00)	1.200 (30.48)
19	1.375-18	1.954 (49.63)	1.828 (46.43)	1.316 (33.43)	.156 (3.96)	1.395 (35.43)	1.335 (33.91)
	UNEF	1.922 (48.82)	1.796 (45.62)	1.306 (33.17)	.124 (3.15)	1.385 (35.18)	1.325 (33.65)
21	1.500-18	2.078 (52.78)	1.954 (49.63)	1.441 (36.60)	.156 (3.96)	1.520 (38.61)	1.460 (37.08)
	UNEF	2.046 (51.97)	1.922 (48.82)	1.431 (36.35)	.124 (3.15)	1.510 (38.35)	1.450 (36.83)
23	1.625-18	2.204 (55.98)	2.078 (52.78)	1.566 (39.78)	.156 (3.96)	1.645 (41.78)	1.585 (40.26)
	UNEF	2.172 (55.17)	2.046 (51.97)	1.556 (39.52)	.124 (3.15)	1.635 (41.53)	1.575 (40.00)
25	1.750-18	2.328 (59.13)	2.204 (55.98)	1.691 (42.95)	.156 (3.96)	1.770 (44.96)	1.710 (43.43)
	UNS	2.296 (58.32)	2.172 (55.17)	1.681 (42.70)	.124 (3.15)	1.760 (44.70)	1.700 (43.18)

## APPLICATION NOTES

- Power to a given contact on one end will result in power to contact directly opposite, regardless of identification letter.
- Hermeticity = less than  $1 \times 10^{-4}$  cc/sec at one atmosphere. Not for use in liquid atmosphere.
- Material/finish:
  - Shell, nut – CRES/passivated, carbon steel/fused tin or CRES/nickel per QQ-N-290.
  - Contacts – Gold Plated. Pin: alloy
  - 52; Skt.: copper alloy
  - Insulator – fused vitreous glass/N.A.
  - Seals – fluorosilicone rubber/N.A.