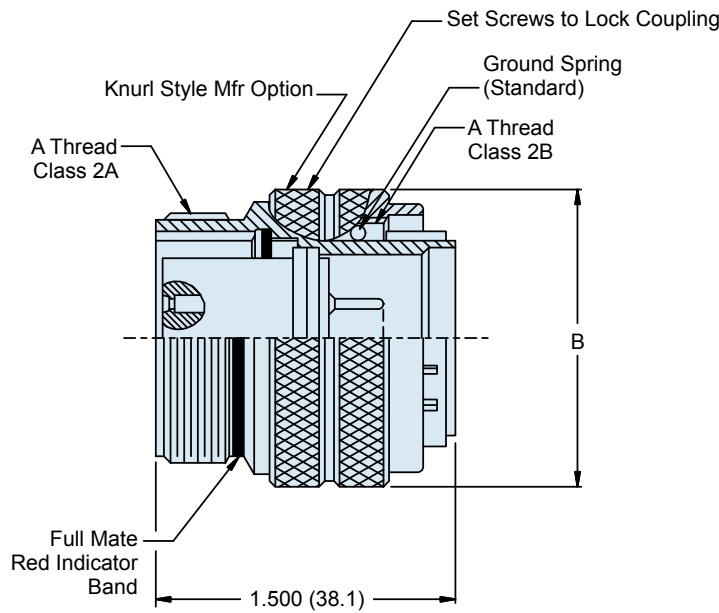


TABLE I: CONNECTOR DIMENSIONS

| SHELL SIZE | SHELL SIZE CODE | A THREAD 0.1P-0.3L-TS-2 | B DIA MAX |
|------------|-----------------|-------------------------|-----------|
| 09 | A | .6250 | .859 |
| 11 | B | .7500 | .969 |
| 13 | C | .8750 | 1.141 |
| 15 | D | 1.0000 | 1.266 |
| 17 | E | 1.1875 | 1.391 |
| 19 | F | 1.2500 | 1.500 |
| 21 | G | 1.3750 | 1.625 |
| 23 | H | 1.5000 | 1.750 |
| 25 | J | 1.6250 | 1.875 |



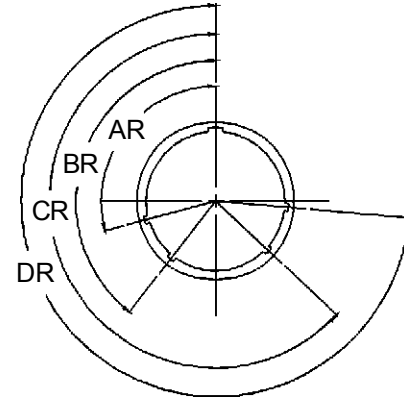
APPLICATION NOTES

- Assembly features straight-thru double ended socket contacts. Power to a given contact on one end will result in power to contact directly opposite regardless of identification.
 - Metric dimensions (mm) are indicated in parentheses.
 - Material/finish:
Barrel/shell, coupling nut, lock ring—Al alloy
- Contacts, grounding ring—Copper Al alloy/gold plate
 Detent spring—Corrosion resistant material
 Retaining device—CRES/passivate
 O-ring, interfacial & peripheral seals—Fluorosilicone/N.A.
 Insulators—High grade rigid dielectric/ N.A.

942-005
Sav-Con® Connector Saver
Plug/Receptacle
 for Use with MIL-DTL-38999 Series III



| TABLE II: SHELL FINISHES | | |
|--------------------------|----------|--|
| Plating Code | Material | Finish |
| M | Aluminum | Electroless Nickel |
| B | Aluminum | Cad Plate, Olive Drab |
| NF | Aluminum | Cadmium Plate Olive Drab over Electroless Nickel |
| NC | Aluminum | Zinc-Cobalt |
| ZN | Aluminum | Olive Drab Zinc-Nickel |
| MT | Aluminum | Ni-PTFE 1000 Hour Grey™ (Nickel Fluorocarbon Polymer) |



FACE VIEW
RECEPTACLE

| SERIES III: ALTERNATE KEYWAY POSITIONS | | | | | | |
|--|----------------|-----------------------|-----|-----|-----|-----|
| Shell Size Code | Shell Size Ref | Alternate Keyway Code | AR° | BR° | CR° | DR° |
| A | 09 | N | 105 | 140 | 215 | 265 |
| | | A | 102 | 132 | 248 | 320 |
| | | B | 80 | 118 | 230 | 312 |
| | | C | 35 | 140 | 205 | 275 |
| | | D | 64 | 155 | 234 | 304 |
| | | E | 91 | 131 | 197 | 240 |
| B C D | 11 13 15 | N | 95 | 141 | 208 | 236 |
| | | A | 113 | 156 | 182 | 292 |
| | | B | 90 | 145 | 195 | 252 |
| | | C | 53 | 156 | 220 | 255 |
| | | D | 119 | 146 | 176 | 298 |
| | | E | 51 | 141 | 184 | 242 |
| E F | 17 19 | N | 80 | 142 | 196 | 293 |
| | | A | 135 | 170 | 200 | 310 |
| | | B | 49 | 169 | 200 | 244 |
| | | C | 66 | 140 | 200 | 257 |
| | | D | 62 | 145 | 180 | 280 |
| | | E | 79 | 153 | 197 | 272 |
| G H J | 21 23 25 | N | 80 | 142 | 196 | 293 |
| | | A | 135 | 170 | 200 | 310 |
| | | B | 49 | 169 | 200 | 244 |
| | | C | 66 | 140 | 200 | 257 |
| | | D | 62 | 145 | 180 | 280 |
| | | E | 79 | 153 | 197 | 272 |

