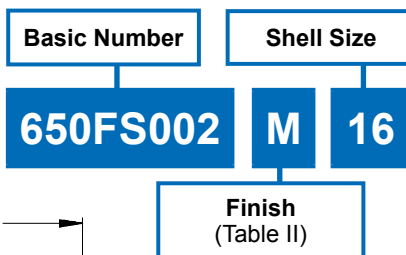
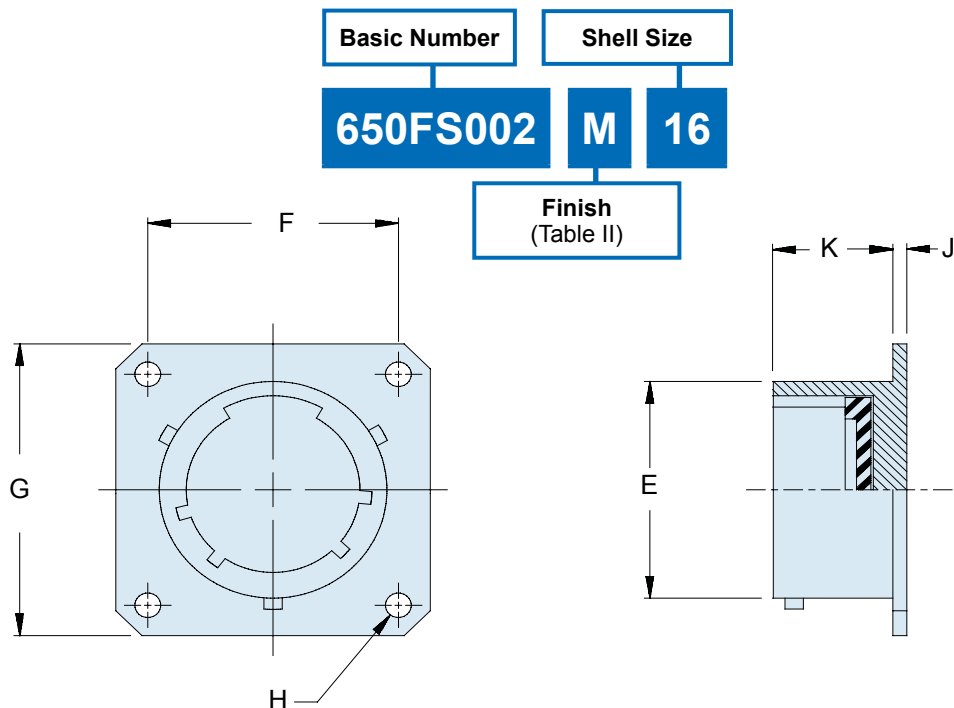


**650FS002**  
**Dummy Storage Receptacle for**  
**MIL-DTL-38999 Series II Connector**



- APPLICATION NOTES**
1. See applicable Military Specification for complete dimensions.
  2. Metric dimensions (mm) are indicated in parentheses.

**TABLE II: FINISHES**

Symbol	Finish
<b>B</b>	Cadmium Plate, Olive Drab
<b>C</b>	Anodize, Black
<b>GB</b>	Black Anodize, Hard Coat
<b>M</b>	Electroless Nickel
<b>N</b>	Cad Plate, Olive Drab over Electroless Nickel
<b>NF</b>	Cadmium Plate, Olive Drab over Electroless Nickel
<b>MT</b>	Ni-PTFE 1000 Hour Grey™ Nickel Fluorocarbon Polymer
<b>ZN</b>	Zinc-Nickel

**TABLE I: DIMENSIONS**

Shell Size	E Max	F Dim	G Max	H Nom	J Max	K ±.010 (0.3)
8	.474 (12.0)	.594 (15.1)	.828 (21.0)	.120 (3.0)	.069 (1.8)	.451 (11.5)
10	.591 (15.0)	.719 (18.3)	.954 (24.2)	.120 (3.0)	.069 (1.8)	.451 (11.5)
12	.751 (19.1)	.812 (20.6)	1.047 (26.6)	.120 (3.0)	.069 (1.8)	.451 (11.5)
14	.876 (22.3)	.906 (23.0)	1.141 (29.0)	.120 (3.0)	.069 (1.8)	.451 (11.5)
16	1.001 (25.4)	.969 (24.6)	1.234 (31.3)	.120 (3.0)	.069 (1.8)	.451 (11.5)
18	1.126 (28.6)	1.062 (27.0)	1.328 (33.7)	.120 (3.0)	.069 (1.8)	.451 (11.5)
20	1.251 (31.8)	1.156 (29.4)	1.453 (36.9)	.120 (3.0)	.069 (1.8)	.451 (11.5)
22	1.376 (35.0)	1.250 (31.8)	1.578 (40.1)	.120 (3.0)	.069 (1.8)	.451 (11.5)
24	1.501 (38.1)	1.375 (34.9)	1.703 (43.3)	.147 (3.7)	.069 (1.8)	.451 (11.5)

