

Basic Part Number
Dash Number
(Table II)

M85049/28 - 1

Superseded Part Number

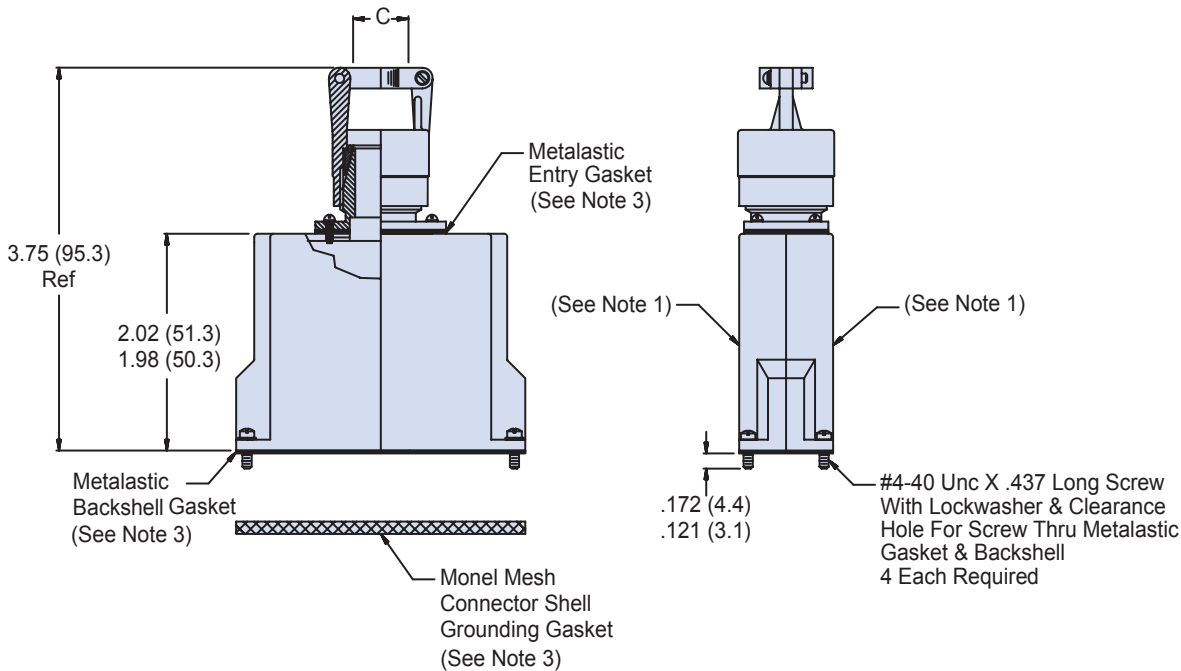
M83733/15 1

Basic Part No.

Dash No.
(Table II)

TABLE I:
Shell Size and Dimensions

Dash No.	Shell Size	A Max Dim	B Dim	C Cable Range (See Note 4)
1	A	2.126 (54.0)	1.900 (48.3) 1.890 (48.0)	.625 (15.9) .500 (12.7)
2	A	2.126 (54.0)	1.900 (48.3) 1.890 (48.0)	.750 (19.1) .625 (15.9)
3	B	3.426 (87.0)	3.200 (81.3) 3.190 (81.0)	.625 (15.9) .500 (12.7)
4	B	3.426 (87.0)	3.200 (81.3) 3.190 (81.0)	.750 (19.1) .625 (15.9)



APPLICATION NOTES

- Assembly identified with manufacturer's name and part number, space permitting, location optional.
- Glenair Series 600 Backshell Assembly Tools are recommended for assembly and installation.
- Gasket may be ordered as a kit (Glenair G61659), shell size A or B.
- Dash numbers 1 and 3 = Standard cable entry.
Dash numbers 2 and 4 = Oversize cable entry.
- Material/finish:
Backshell, adapter, clamp, ferrule - Al alloy/Electroless nickel.
Screws and washers -CRES/Passivate
Backshell and entry gaskets = Metalastic/N.A.
Interface gasket - Monel mesh/N.A.
- Metric dimensions (mm) are indicated in parentheses

Dimensions in inches (millimeters) and are subject to change without notice.