

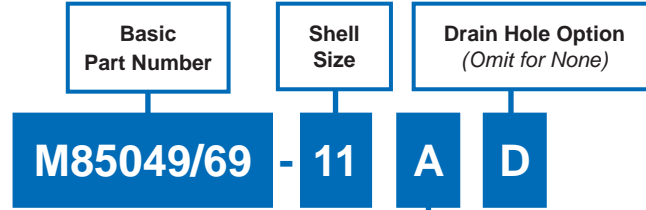
AS85049/69 Straight Shrink Boot Adapter



AS85049

B

CONNECTOR DESIGNATOR:	
H	MIL-DTL-38999 Series III & IV EN3645



Finish
<i>A = Black Anodize</i>
<i>N = Electroless Nickel</i>
<i>W = 1000 Hr. Cadmium Olive Drab</i>
<i>X = Nickel Fluorocarbon Polymer</i>
<i>Y = Pure Dense Electrodeposited Aluminum</i>
<i>Z = Zinc Nickel, Black</i>

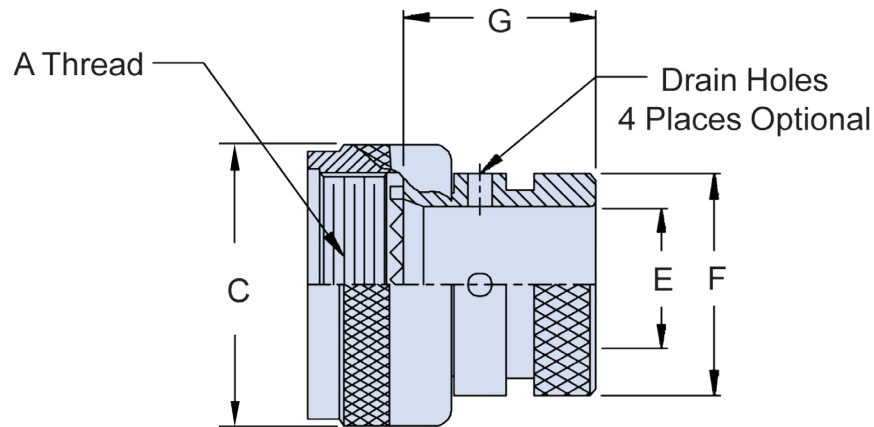


TABLE I: Shell Size, Thread and Dimensions

Shell Size	A Thread Class 6H	C Max	E Dia Min	F Dia Max	G Max
9	M12 X 1 - 6H	.750 (19.1)	.250 (6.4)	.533 (13.5)	.710 (18.0)
11	M15 X 1 - 6H	.850 (21.6)	.375 (9.5)	.605 (15.4)	.710 (18.0)
13	M18 X 1 - 6H	1.000 (25.4)	.500 (12.7)	.774 (19.7)	.710 (18.0)
15	M22 X 1 - 6H	1.150 (29.2)	.625 (15.9)	.838 (21.3)	.710 (18.0)
17	M25 X 1 - 6H	1.250 (31.8)	.750 (19.1)	.963 (24.5)	.710 (18.0)
19	M28 X 1 - 6H	1.400 (35.6)	.812 (20.6)	1.042 (26.5)	.710 (18.0)
21	M31 X 1 - 6H	1.550 (39.4)	.938 (23.8)	1.217 (30.9)	.710 (18.0)
23	M34 X 1 - 6H	1.650 (41.9)	1.062 (27.0)	1.355 (34.4)	.710 (18.0)
25	M37 X 1 - 6H	1.785 (47.0)	1.188 (30.2)	1.443 (36.7)	.710 (18.0)

APPLICATION NOTES

1. For complete dimensions see the applicable Military Specification.
2. Metric dimensions (mm) are in parentheses.

Dimensions in inches (millimeters) and are subject to change without notice.