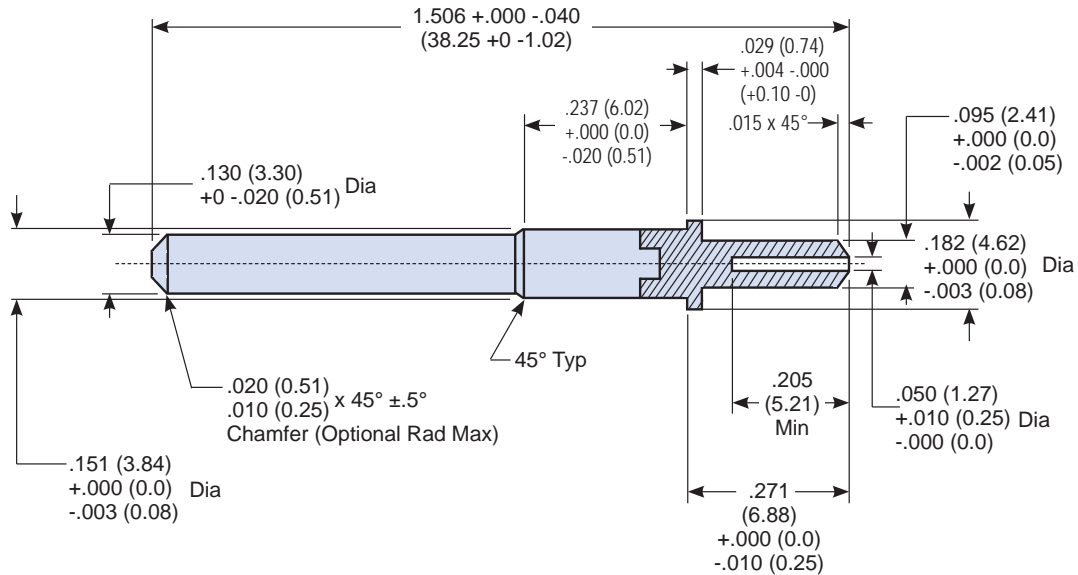
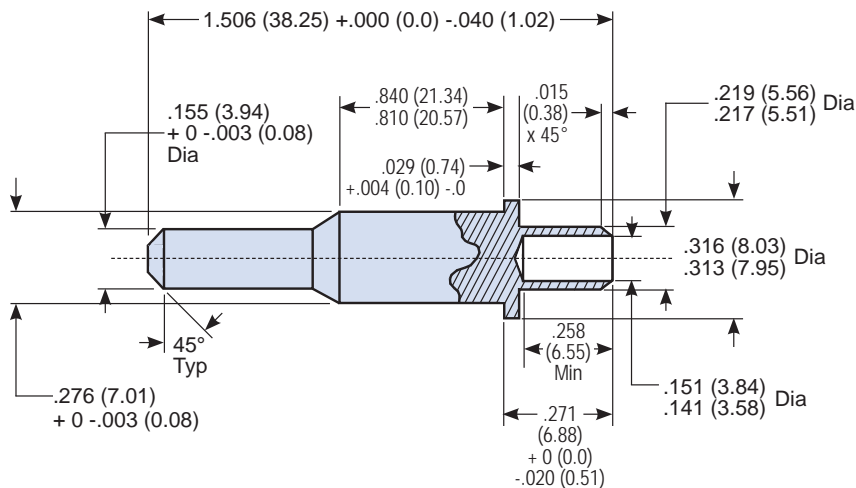


Basic
Part NumberDash
Number
M85049/80 - 16


Dimensions and Configuration for Size 12 Contacts



Dimensions and Configuration for Size 8 Contacts

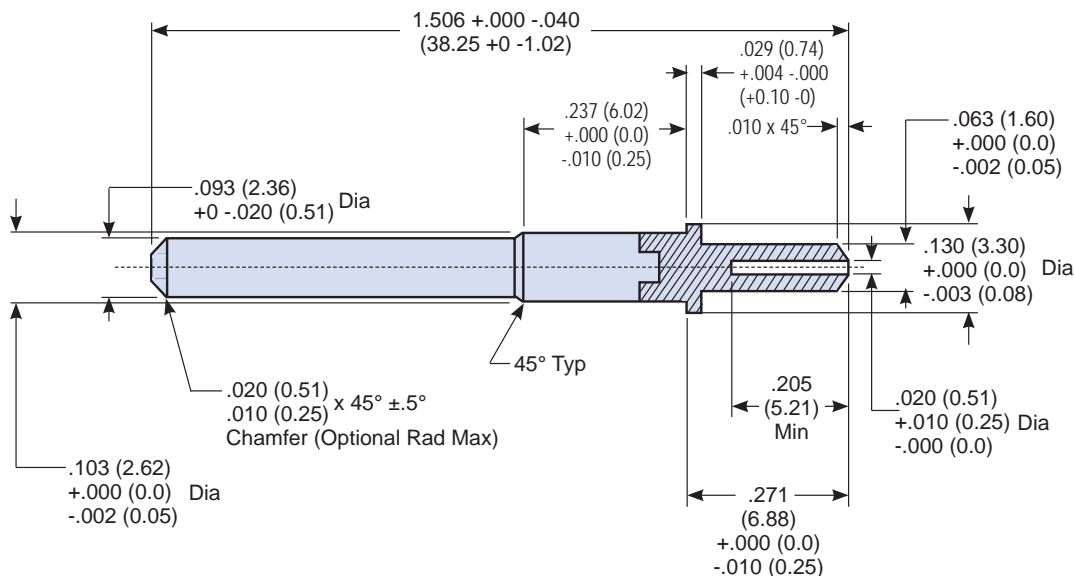
Dimensions in inches (millimeters) and are subject to change without notice.

AS85049/80 Sealing Plug for MIL-DTL-38999 Connectors Contact Sizes 8, 12 and 16



AS85049

B



Dimensions and Configuration for Size 16 Contacts



Figure 1



Figure 2



Figure 3

Table I: Insertion and Removal Tools

Figure	Size	Type	Glenair Part Number	Military Part Number
1	#16	Insertion/Extraction	809-131	M81969/14-03
2	#12	Insertion/extraction	809-132	M81969/14-04
3	#8	Extraction only	859-022	M81969/14-06

APPLICATION NOTES

1. Assembly identified with manufacturer's name and part number, space permitting.
2. Color:
Size 16 - Blue, IAW EIA RS359
Size 12 - Yellow, IAW EIA RS359
Size 8 - Green, IAW EIA RS359
3. Insulation resistance: 100 megaohms minimum at 500V DC when tested IAW EIA 364-21, using flat probes placed on opposite ends of the dummy contact.
4. Size 16 is for use in MIL-DTL-Series I, III or IV connectors in size 16 contact cavities. Size 12 is for use in MIL-DTL-38999 Series I, III or IV connectors in size 12 contact cavities. Size 8 is for use in MIL-DTL-38999 Series I, III or IV connectors in size 8 cavities.
5. Sizes 16, 12 and 8 dummy contacts are to be used in lieu of contacts and sealing plugs in unwired contact cavities for both pin and socket inserts.
6. The size 8 dummy contact requires an additional boot (to be provided by the connector manufacturer) for insert arrangements 17-2, 19-18, 21-75, 25-7, 25-8, 25-46 and 25-90 to seal the cavity.
7. For complete dimensions, see the applicable Military Specification.
8. Metric dimensions (mm) are in parentheses.

Dimensions in inches (millimeters) and are subject to change without notice.