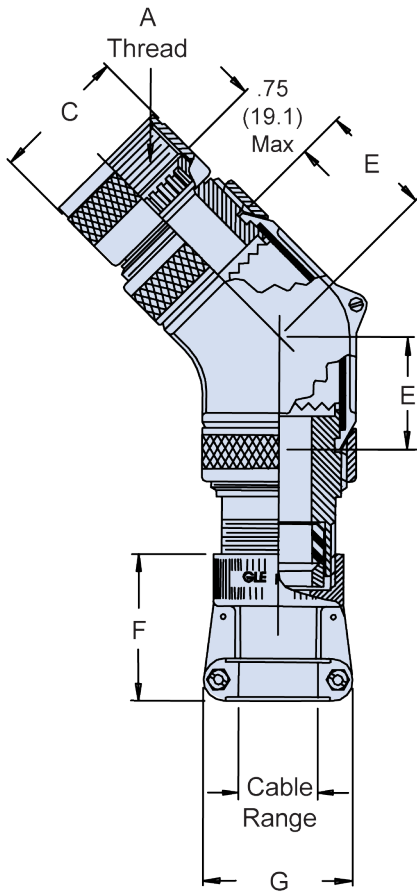


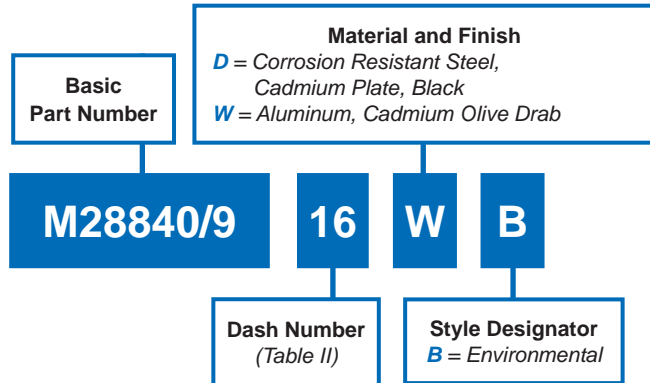
MIL-DTL-28840/9 45° Environmental Backshell Style B



MIL-DTL-28840



CONNECTOR DESIGNATOR:	
G	MIL-DTL-28840



Shell Size	A Thread Class 2B	C Dia Max
11	.750 - 20 UNEF	1.030 (26.2)
13	.875 - 20 UNEF	1.140 (29.0)
15	1.000 - 20 UNEF	1.260 (32.0)
17	1.125 - 18 UNEF	1.390 (35.3)
19	1.250 - 18 UNEF	1.510 (38.4)
23	1.438 - 18 UNEF	1.700 (43.2)
25	1.563 - 18 UNEF	1.820 (46.2)
29	1.875 - 16 UN	2.140 (54.4)
33	2.063 - 16 UNS	2.330 (59.2)

Dash No.	Shell Size Ref.	E Max	F Ref. Dim	G Ref. Dim	Cable Range	
					Min	Max
01	11	1.031 (26.2)	1.281 (32.5)	.938 (23.8)	.188 (4.8)	.312 (7.9)
02	13	1.031 (26.2)	1.281 (32.5)	.938 (23.8)	.188 (4.8)	.312 (7.9)
03	13	1.031 (26.2)	1.281 (32.5)	1.125 (28.6)	.281 (7.1)	.438 (11.1)
04	15	1.156 (29.4)	1.281 (32.5)	.938 (23.8)	.188 (4.8)	.312 (7.9)
05	15	1.156 (29.4)	1.281 (32.5)	1.125 (28.6)	.281 (7.1)	.438 (11.1)
06	15	1.156 (29.4)	1.281 (32.5)	1.312 (33.3)	.344 (8.7)	.562 (14.3)
07	15	1.281 (32.5)	1.312 (33.3)	1.593 (40.5)	.438 (11.1)	.750 (19.1)
08	17	1.281 (32.5)	1.281 (32.5)	1.312 (33.3)	.375 (9.5)	.625 (15.9)
09	17	1.281 (32.5)	1.312 (33.3)	1.593 (40.5)	.438 (11.1)	.750 (19.1)
10	17	1.281 (32.5)	1.406 (35.7)	1.750 (44.5)	.625 (15.9)	.938 (23.8)
11	19	1.281 (32.5)	1.281 (32.5)	1.312 (33.3)	.375 (9.5)	.625 (15.9)
12	19	1.406 (35.7)	1.406 (35.7)	1.750 (44.5)	.625 (15.9)	.938 (23.8)
13	23	1.406 (35.7)	1.312 (33.3)	1.593 (40.5)	.438 (11.1)	.750 (19.1)
14	23	1.406 (35.7)	1.406 (35.7)	1.750 (44.5)	.625 (15.9)	.938 (23.8)
15	23	1.406 (35.7)	1.593 (40.5)	2.093 (53.2)	.812 (20.6)	1.188 (30.2)
16	25	1.406 (35.7)	1.406 (35.7)	1.750 (44.5)	.625 (15.9)	.938 (23.8)
17	25	1.406 (35.7)	1.593 (40.5)	2.093 (53.2)	.812 (20.6)	1.188 (30.2)
18	25	1.531 (38.9)	1.593 (40.5)	2.093 (53.2)	.875 (22.2)	1.250 (31.8)
19	25	1.531 (38.9)	1.625 (41.3)	2.343 (59.5)	1.000 (25.4)	1.380 (35.1)
20	29	1.531 (38.9)	1.593 (40.5)	2.093 (53.2)	.812 (20.6)	1.188 (30.2)
21	29	1.531 (38.9)	1.625 (41.3)	2.343 (59.5)	1.000 (25.4)	1.380 (35.1)
22	33	1.781 (45.2)	1.625 (41.3)	2.343 (59.5)	1.000 (25.4)	1.380 (35.1)
23	33	1.781 (45.2)	1.900 (48.3)	2.750 (69.9)	1.250 (31.8)	1.625 (41.3)
24	11	1.031 (26.2)	1.281 (32.5)	1.125 (28.6)	.281 (7.1)	.438 (11.1)
25	11	1.156 (29.4)	1.281 (32.5)	1.312 (33.3)	.344 (8.7)	.562 (14.3)
26	13	1.156 (29.4)	1.281 (32.5)	1.312 (33.3)	.344 (8.7)	.562 (14.3)
27	13	1.281 (32.5)	1.281 (32.5)	1.312 (33.3)	.375 (9.5)	.625 (15.9)
28	15	1.281 (32.5)	1.281 (32.5)	1.312 (33.3)	.375 (9.5)	.625 (15.9)

APPLICATION NOTES

- For complete dimensions see the applicable Military Specification.
- Metric dimensions (mm) are in parentheses.
- Cable Range is defined as the accommodation range for the wire bundle or cable. Dimensions shown are not intended for inspection criteria.

Dimensions in inches (millimeters) and are subject to change without notice.

D