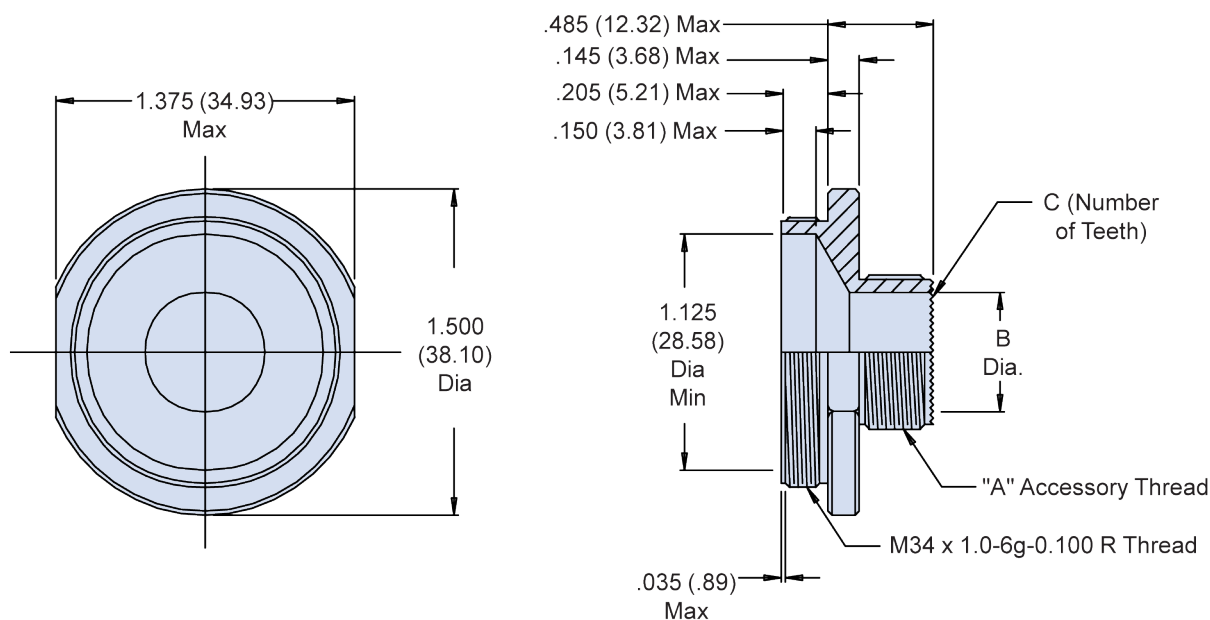




# M83538/9S Straight Adapter and Extender

**CONNECTOR DESIGNATOR:**

MIL-DTL-83538/4

**Basic  
Part Number**
**Shell  
Size**
**M83538/9S - 09**

**TABLE I: Shell Size, Thread, Teeth and Dimensions**

Shell Size	"A" Accessory Thread	B Dia ±.005 (0.13)	C Number of Teeth
09	M12x1.0-6g 0.100R	.332 (8.18)	12
11	M15x1.0-6g 0.100R	.440 (11.18)	16
13	M18x1.0-6g 0.100R	.559 (14.20)	20
15	M22x1.0-6g 0.100R	.716 (18.19)	24
17	M25x1.0-6g 0.100R	.834 (21.18)	28
19	M28x1.0-6g 0.100R	.952 (24.18)	32
21	M31x1.0-6g 0.100R	1.070 (27.18)	36
23	M34x1.0-6g 0.100R	1.188 (30.18)	40

**APPLICATION NOTES**

1. For complete dimensions see the applicable Military Specification.
2. Material is corrosion resistant steel.
3. Metric dimensions (mm) are in parentheses.

Dimensions in inches (millimeters) and are subject to change without notice.