

**MS27741
TAG® Ring
For Reliable Shield Terminations**

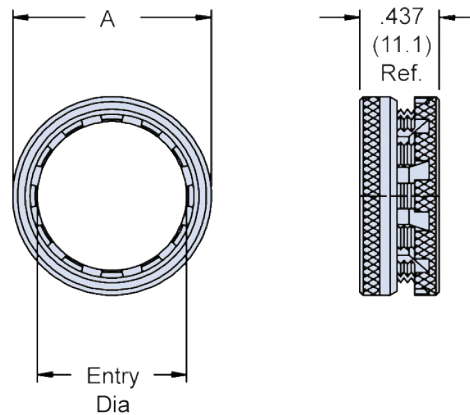
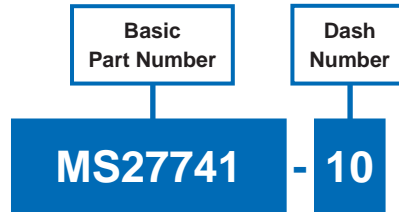


TABLE I: Shell Size, Entry, Slots and Weight

| Dash No. | A Dia Max | Entry Dia | No. of Slots | Weight in Grams |
|----------|--------------|--------------|--------------|-----------------|
| 2 | .545 (13.8) | .250 (6.4) | 3 | 2.268 |
| 3 | .670 (17.0) | .375 (9.5) | 4 | 2.722 |
| 4 | .795 (20.2) | .500 (12.7) | 6 | 3.175 |
| 5 | .920 (23.4) | .625 (15.9) | 8 | 4.082 |
| 6 | 1.045 (26.5) | .750 (19.1) | 10 | 4.536 |
| 7 | 1.170 (29.7) | .875 (22.2) | 10 | 4.990 |
| 8 | 1.295 (32.9) | 1.000 (25.4) | 12 | 5.443 |
| 9 | 1.420 (36.1) | 1.125 (28.6) | 15 | 6.350 |
| 10 | 1.687 (42.8) | 1.250 (31.8) | 15 | 10.433 |
| 11 | 1.812 (46.0) | 1.375 (34.9) | 15 | 14.515 |

APPLICATION NOTES

- For complete dimensions see the applicable Military Specification.
- Finish:
Body and Nut - Gold Iridite
Spring - Gold Plate
- Metric dimensions (mm) are in parentheses.

Dimensions in inches (millimeters) and are subject to change without notice.