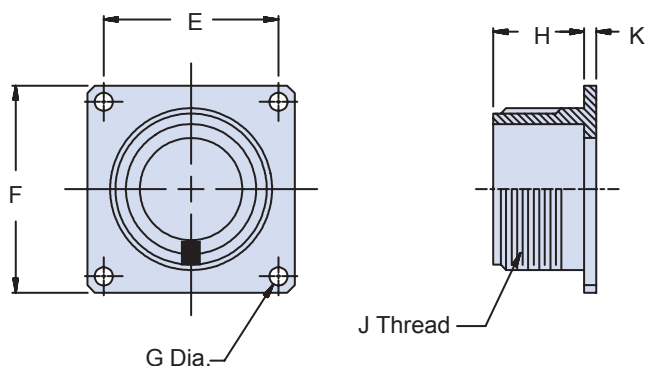




AS31051

Dummy Storage Receptacle Threaded Coupling

MATING CONNECTOR
AS50151
**Basic
Part No.**
Dash No.
MS3105 - 16

**TABLE I: Dash Number, Cable Entry
and Backshell Dimensions**

| Shell Size | E | | F Max | G Max | | H Max | | J Thread Class 2A | K Max | | |
|---------------|-------|--------|----------|----------|------|----------|------|----------------------|---------------|------|-------|
| | ±.005 | (.1) | | | | | | | | | |
| 8S | .594 | (15.1) | .906 | (23.0) | .130 | (3.3) | .593 | (15.1) | 1/2-28 UNEF | .156 | (4.0) |
| 10S | .719 | (18.3) | 1.031 | (26.2) | .130 | (3.3) | .593 | (15.1) | 5/8-24 UNEF | .156 | (4.0) |
| 12S | .812 | (20.6) | 1.125 | (28.6) | .130 | (3.3) | .593 | (15.1) | 3/4-20 UNEF | .156 | (4.0) |
| 12 | .812 | (20.6) | 1.125 | (28.6) | .130 | (3.3) | .781 | (19.8) | 3/4-20 UNEF | .156 | (4.0) |
| 14S | .906 | (23.0) | 1.219 | (31.0) | .130 | (3.3) | .593 | (15.1) | 7/8-20 UNEF | .156 | (4.0) |
| 14 | .906 | (23.0) | 1.219 | (31.0) | .130 | (3.3) | .781 | (19.8) | 7/8-20 UNEF | .156 | (4.0) |
| 16S | .969 | (24.6) | 1.312 | (33.3) | .130 | (3.3) | .593 | (15.1) | 1-20 UNEF | .156 | (4.0) |
| 16 | .969 | (24.6) | 1.312 | (33.3) | .130 | (3.3) | .781 | (19.8) | 1-20 UNEF | .156 | (4.0) |
| 18 | 1.062 | (27.0) | 1.406 | (35.7) | .130 | (3.3) | .781 | (19.8) | 1 1/8-18 UNEF | .203 | (5.2) |
| 20 | 1.156 | (29.4) | 1.531 | (38.9) | .130 | (3.3) | .781 | (19.8) | 1 1/4-18 UNEF | .203 | (5.2) |
| 22 | 1.250 | (31.8) | 1.656 | (42.1) | .130 | (3.3) | .781 | (19.8) | 1 3/8-18 UNEF | .203 | (5.2) |
| 24 | 1.375 | (34.9) | 1.781 | (45.2) | .157 | (4.0) | .843 | (21.4) | 1 1/2-18 UNEF | .203 | (5.2) |
| 28 | 1.562 | (39.7) | 2.031 | (51.6) | .157 | (4.0) | .843 | (21.4) | 1 3/4-18 UNS | .203 | (5.2) |
| 32 | 1.750 | (44.5) | 2.281 | (57.9) | .183 | (4.6) | .906 | (23.0) | 2-18 UNS | .359 | (9.1) |
| 36 | 1.938 | (49.2) | 2.531 | (64.3) | .183 | (4.6) | .906 | (23.0) | 2 1/4-16 UN | .359 | (9.1) |
| 40 | 2.188 | (55.6) | 2.781 | (70.6) | .183 | (4.6) | .906 | (23.0) | 2 1/2-16 UN | .359 | (9.1) |
| 44 | 2.375 | (60.3) | 3.031 | (77.0) | .183 | (4.6) | .906 | (23.0) | 2 3/4-16 UN | .359 | (9.1) |
| 48 | 2.625 | (66.7) | 3.281 | (83.3) | .183 | (4.6) | .906 | (23.0) | 3-16 UN | .359 | (9.1) |

APPLICATION NOTES

1. Assembly to be identified with manufacturer's name and part number, space permitting.
2. For complete dimensions, see the applicable Military Specification.
3. Metric dimensions (mm) are in parentheses.

Dimensions in inches (millimeters) and are subject to change without notice.