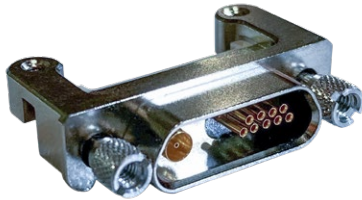


Horizontal PCB-mount coax and combo coax receptacles Surface-mount termination • edge-launched

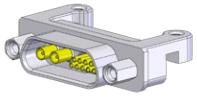



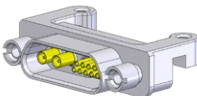
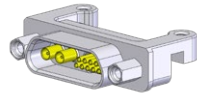
GMMD-HRE horizontal PCB-mount receptacle (combo 1V9 layout shown)

HOW TO ORDER	
Sample Part Number	GMMD -HRE 2C9 -2 P M 1
Series	GMMD = Glenair Modular High-Speed Micro-D
Connector Format	-HRE = Horizontal edge-launched receptacle -HRPE = Horizontal panel-sealed edge launched recept.
Contact Arrangement	See Table. Consult factory for additional arrangements.
Shell Material / Finish	-2 = Aluminum / Electroless Nickel -5 = Aluminum / Gold -3 = Stainless Steel / Passivated -6 = Aluminum / Alocromate -7 = Aluminum / Nickel-PTFE -8 = Aluminum / Zinc-Nickel, Black
Jackpost Options	Specify per Jackpost / Hardware Options in table below
Board-Mount Options	Specify per Board-Mount Thread Options in table below
Sealing Options for HRPE (omit for HRE)	0 = No O-ring 1 = Fluorosilicone 2 = Passivated silver-plated aluminum-filled fluorosilicone 3 = Nickel-plated aluminum-filled fluorosilicone

CONNECTOR FEATURES

- One of the smallest rugged multiway RF coax connectors available
- 50Ω on 3.18mm pitch for combo arrangements
- 50Ω on 2.54 pitch for coax-only arrangements
- Shield isolated from connector shell
- PCB edge-launched for optimized 20GHz high-bandwidth performance
- Compatible with RG-178, semi-rigid and flexible 047 cables for 50Ω / RG-179 and semi-rigid cables for 75Ω

CONNECTOR FORMAT	
 GMMD-HRE Horizontal PCB-Mount Edge-Launched Receptacle	 GMMD-HRPE Horizontal PCB-Mount Panel-Sealed Edge-Launched Receptacle

JACKPOST / HARDWARE OPTIONS and BOARD-MOUNT THREAD OPTIONS				
Rear panel mount jackpost 	For Rear panel mount jackpost, specify Jackpost option code T, U, V, W, X, or Y per required panel thickness, and board-mount thread option. For Factory installed jackpost, specify code S and board-mount thread option.			
		Jackpost option	Board-Mount Thread Option	
		Code	Panel Thickness	
		T	2.4mm	M M2 metric
		U	2.0mm	
	V	1.6mm	U #2-56 UNC	
	W	1.2mm		
	X	0.8mm		
	Y	0.6mm		
Factory installed jackpost 			M M2 metric	
			U #2-56 UNC	

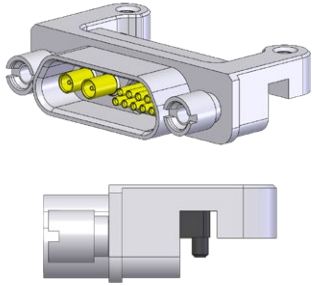
GMMD COAX AND COMBO COAX CONTACT ARRANGEMENTS			
Code	Shell Size	Coax Contacts	#24 Contacts
2C	9	2x50Ω	
4C	21	4x50Ω	
6C	25	6x50Ω	
8C	31	8x50Ω	
16C	67	16x50Ω	
1C9	15	1x50Ω	9
2C9	21	2x50Ω	9
1V9	21	1x75Ω	9
2V9	31	2x75Ω	9
4V	21	4x75Ω	

GMMD COAX AND COMBO COAX CONNECTORS

Horizontal PCB-mount coax and combo coax receptacles Surface-mount termination • edge-launched

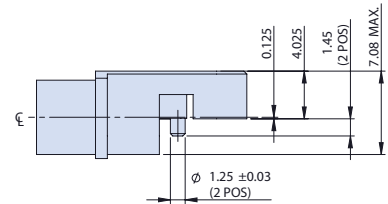
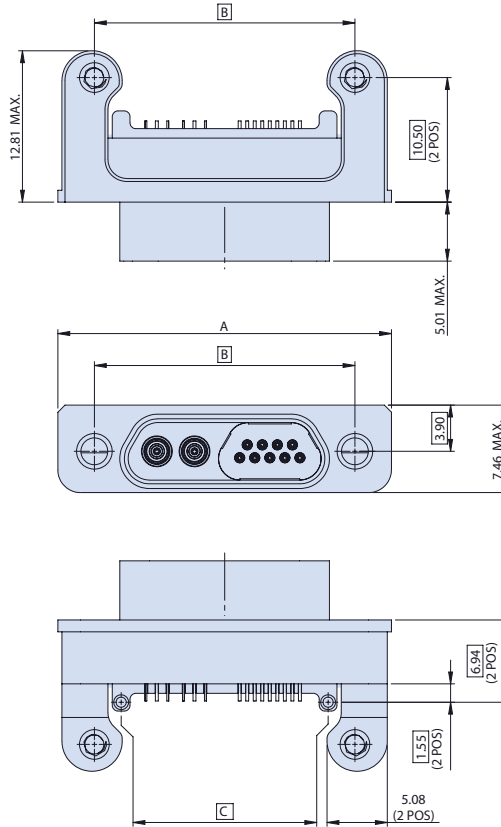
GMMD COAX AND COMBO COAX CONNECTORS

GMMD-HRE HORIZONTAL EDGE-LAUNCHED PCB-MOUNT CONNECTOR DIMENSIONS



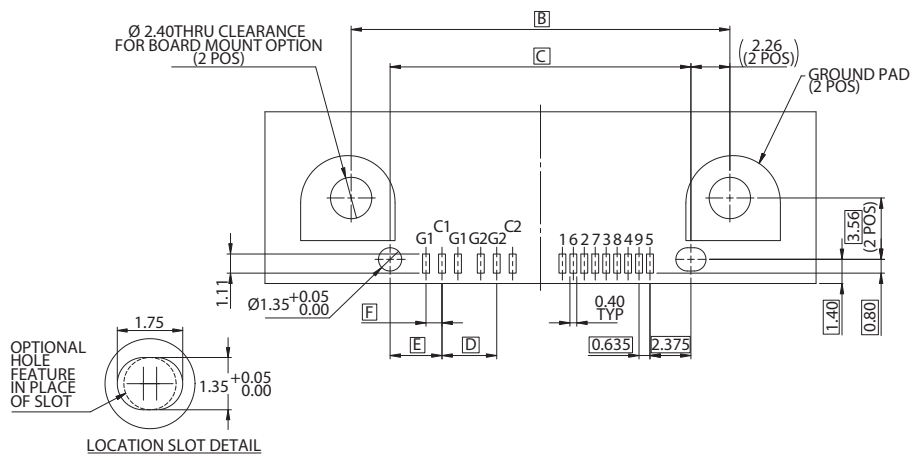
GMMD-HRE
Horizontal PCB-Mount Edge-Launched Receptacle

Shell size	A (mm)	B (mm)	C (mm)
9	20.56	14.35	9.83
15	24.37	18.16	13.64
21	28.18	21.97	17.45
25	30.72	24.51	19.99
31	34.53	28.32	23.80
67	57.39	51.18	46.66



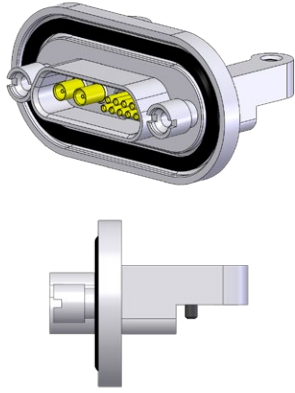
PCB MOUNTING PATTERN FOR GMMD-HRE HORIZONTAL EDGE-LAUNCHED PCB-MOUNT CONNECTOR (SMT MOUNT - COMPONENT SIDE)

		D	E	F	
50ohm hybrid		3.175	3.01	0.925	
75ohm hybrid		4.15	3.53	1.325	
Shell size	Arrangement				
50ohm only	9	2C	2.54	3.645	0.925
	21	4C	2.54	4.915	0.925
	25	6C	2.54	3.645	0.925
	3	8C	2.54	3.01	0.925
	51-2	12C	2.54	4.28	0.925
67	16C	2.54	4.28	0.925	
75ohm only	9	2V	3.5	3.165	1.325
	15	3V	3.5	3.32	1.325
	21	4V	3.5	3.475	1.325



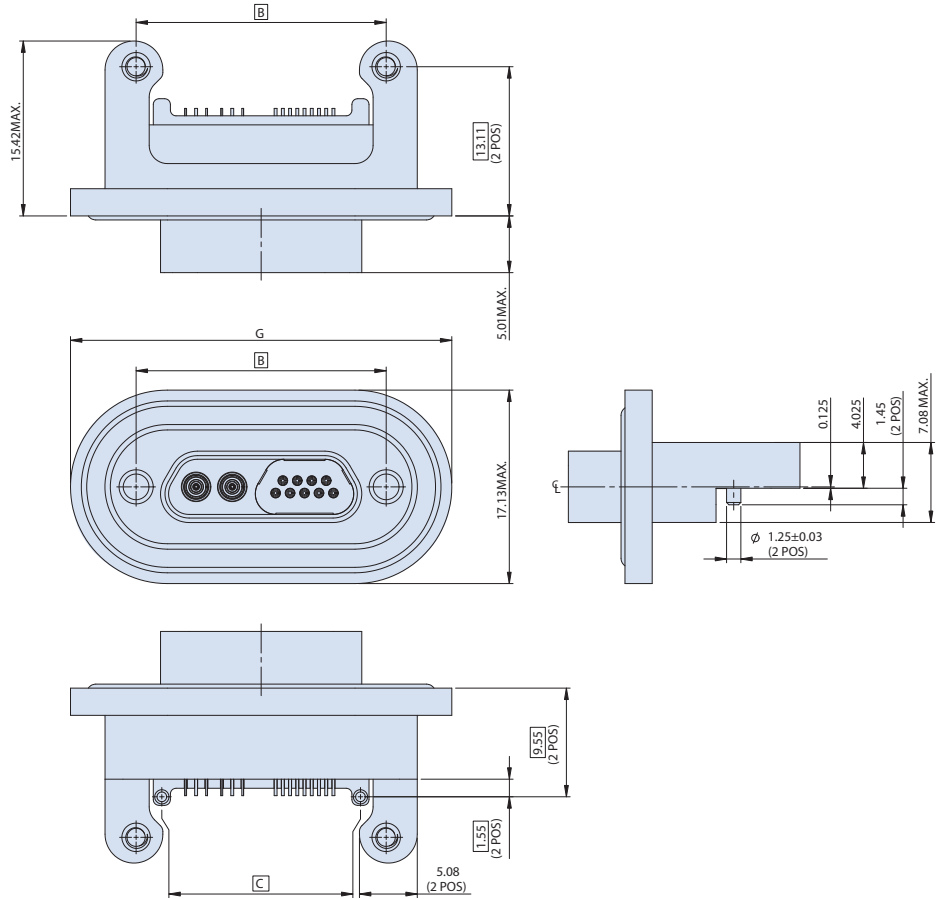
Horizontal PCB-mount coax and combo coax receptacles Surface-mount termination • panel-sealed edge-launched

GMMD-HRPE HORIZONTAL PANEL-SEALED EDGE-LAUNCHED PCB-MOUNT CONNECTOR DIMENSIONS



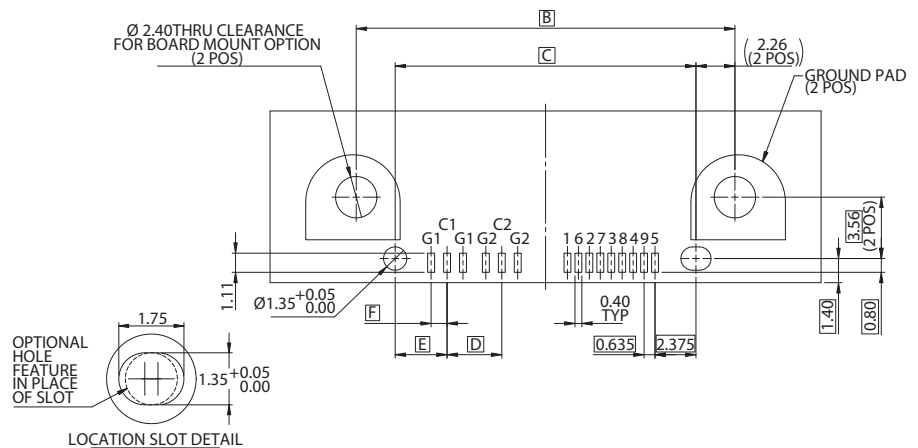
GMMD-HRPE
Horizontal PCB-Mount Panel-Sealed
Edge-Launched Receptacle

Shell size	B (mm)	C (mm)	G (mm)
9	9.83	25.88	25.88
15	13.64	29.69	26.69
21	17.45	33.50	33.50
25	19.99	36.04	36.04
31	23.80	39.85	39.85
67	46.66	62.71	62.71



PCB MOUNTING PATTERN FOR GMMD-HRPE HORIZONTAL PANEL-SEALED EDGE-LAUNCHED PCB-MOUNT (SMT MOUNT - COMPONENT SIDE)

		D	E	F	
50ohm hybrid		3.175	3.01	0.925	
75ohm hybrid		4.15	3.53	1.325	
Shell size	Arrangement				
50ohm only	9	2C	2.54	3.645	0.925
	21	4C	2.54	4.915	0.925
	25	6C	2.54	3.645	0.925
	3	8C	2.54	3.01	0.925
	51-2	12C	2.54	4.28	0.925
75ohm only	9	2V	3.5	3.165	1.325
	15	3V	3.5	3.32	1.325
	21	4V	3.5	3.475	1.325



GMMD COAX AND COMBO COAX CONNECTORS