

Horizontal PCB-mount twinax and combo twinax receptacles Surface-mount termination

GMMD TWINAX AND COMBO TWINAX CONNECTORS



GMMD-HR horizontal PCB-mount receptacle (combo 2T9 layout shown)

CONNECTOR FEATURES

- HRE edge-launched and HRPE panel-sealed receptacles feature 0.635mm PCB pad spacing; HR horizontal and HRP panel-sealed receptacles spaced at 1.27mm
- An alignment pip is integral to the connector housing for accurate PCB registration. The connector shell mounting legs provide a ground path.
- Designed for use with SMT reflow soldering processes, using RoHS-compliant contact tin dipping. Glenair recommends connector be screwed to PCB before soldering

HOW TO ORDER							
Sample Part Number	GMMD	-HRP	2T9	-2	P	M	1
Series	GMMD = Glenair Modular High-Speed Micro-D						
Connector Format	-HR = Horizontal PCB-mount receptacle -HRE = Horizontal edge-launched receptacle -HRP = Horizontal panel-sealed receptacle -HRPE = Horiz. panel-sealed edge-launched receptacle						
Contact Arrangement	See Table. Consult factory for additional arrangements.						
Shell Material / Finish	-2 = Aluminum / Electroless Nickel -5 = Aluminum / Gold -3 = Stainless Steel / Passivated -6 = Aluminum / Alochromate -7 = Aluminum / Nickel-PTFE -8 = Aluminum / Zinc-Nickel, Black						
Jackpost Options	Specify per Jackpost / Hardware Options in table below						
Board-Mount Options	Specify per Board-Mount Thread Options in table below						
Sealing Options for HRP and HRPE (omit for HR and HRE)	0 = No O-ring 1 = Fluorosilicone 2 = Passivated silver-plated aluminum-filled fluorosilicone 3 = Nickel-plated aluminum-filled fluorosilicone						

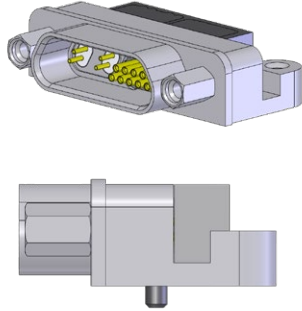
CONNECTOR FORMAT			
GMMD-HR Horizontal PCB-Mount Receptacle	GMMD-HRP Horizontal PCB-Mount Panel-Sealed Receptacle	GMMD-HRE Horizontal PCB-Mount Edge-Launched Receptacle	GMMD-HRPE Horizontal PCB-Mount Panel-Sealed Edge-Launched Receptacle

GMMD TWINAX AND COMBO TWINAX CONTACT ARRANGEMENTS			
Code	Shell Size	Twinax Contacts	#24 Contacts
2T	9	2	
4T	15	4	
2T9	21	2	9
2T15	25	2	15
4T9	31	4	9
5T9	31	5	9
8T	31	8	
4T15	37	4	15
8T15	51-2	8	15
4T31	51-2	4	31
12T	51-2	12	
12T15	67	12	15
6T37	67	6	37
8T31	67	8	31
16T	67	16	

JACKPOST / HARDWARE OPTIONS and BOARD-MOUNT THREAD OPTIONS			
For Rear panel mount jackpost, specify Jackpost option code T, U, V, W, X, or Y per required panel thickness, and board-mount thread option.		Jackpost option	
For Factory installed jackpost, specify code S and board-mount thread option.		Code	Board-Mount Thread Option
Rear panel mount jackpost		T	2.4mm
		U	2.0mm
		V	1.6mm
		W	1.2mm
		X	0.8mm
Factory installed jackpost		Y	0.6mm
		S	
		M	M2 metric
		U	#2-56 UNC
		M	M2 metric
		U	#2-56 UNC

Horizontal PCB-mount twinax and combo twinax receptacles Surface-mount termination

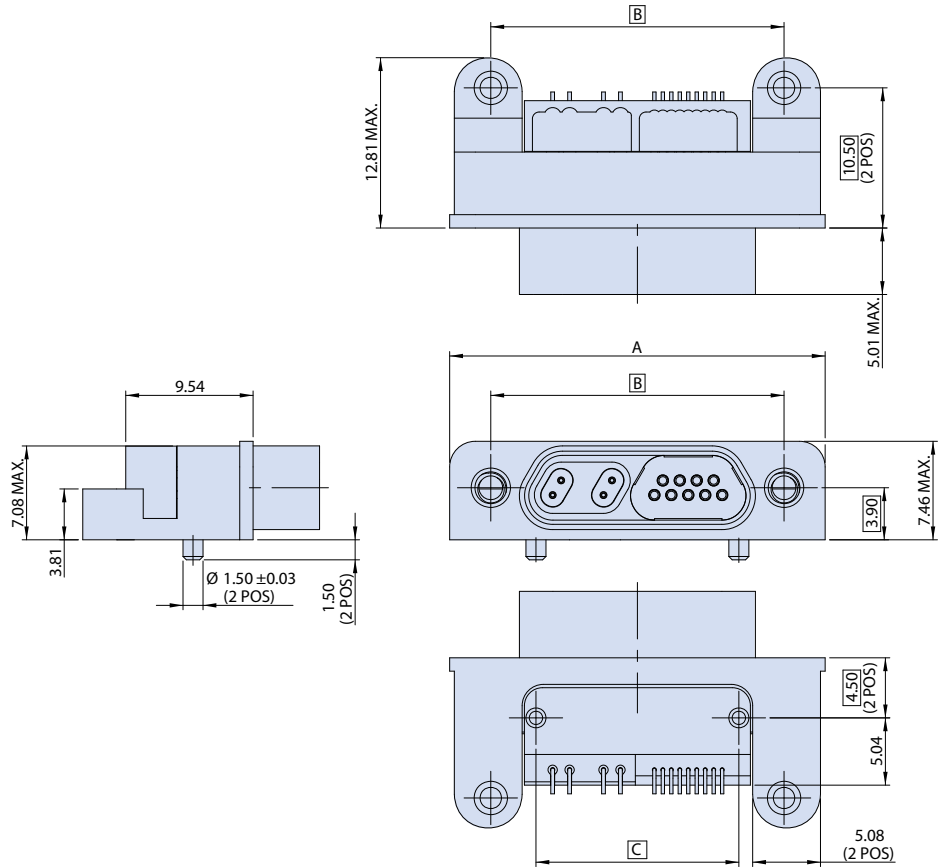
GMMD-HR HORIZONTAL PCB-MOUNT CONNECTOR DIMENSIONS



GMMD-HR

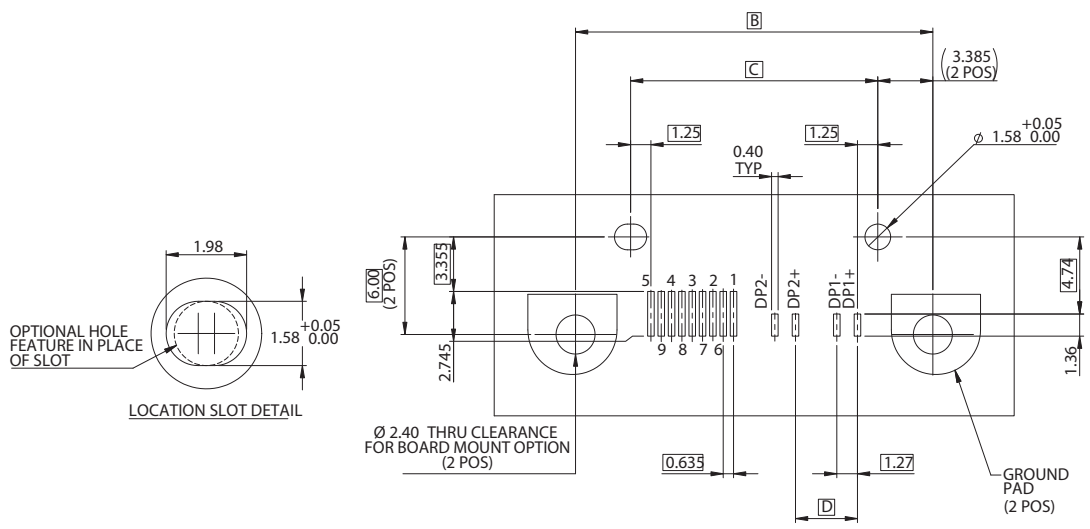
Horizontal PCB-Mount Receptacle

Shell size	A (mm)	B (mm)	C (mm)
9	20.56	14.35	7.58
15	24.37	18.16	11.39
21	28.18	21.97	15.20
25	30.72	24.51	17.74
31	34.53	28.32	21.55
37	38.34	32.13	25.36
51-2	47.23	41.02	34.25
67	57.39	51.18	44.41



PCB MOUNTING PATTERN FOR GMMD-HR HORIZONTAL PCB-MOUNT (SMT MOUNT - COMPONENT SIDE)

Twinax Contact Pitch		
Shell size	Contact Arrangement	D mm
9	2T9	3.810
15	4T	2.540
21	2T9	3.810
31	4T9	3.175
31	5T9	2.540
31	8T	2.540
37	4T15	3.175
51	8T15	2.540
51	4T31	2.858
51	12T	2.540
67	12T15	2.540
67	6T37	2.858
67	8T31	2.540
67	16T	2.540

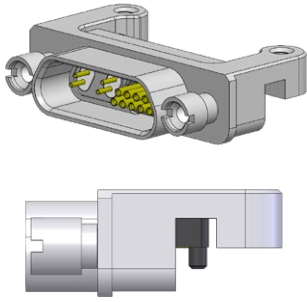


GMMD TWINAX AND COMBO TWINAX CONNECTORS

Horizontal PCB-mount twinax and combo twinax receptacles Surface-mount termination • edge-launched

GMMD TWINAX AND COMBO TWINAX CONNECTORS

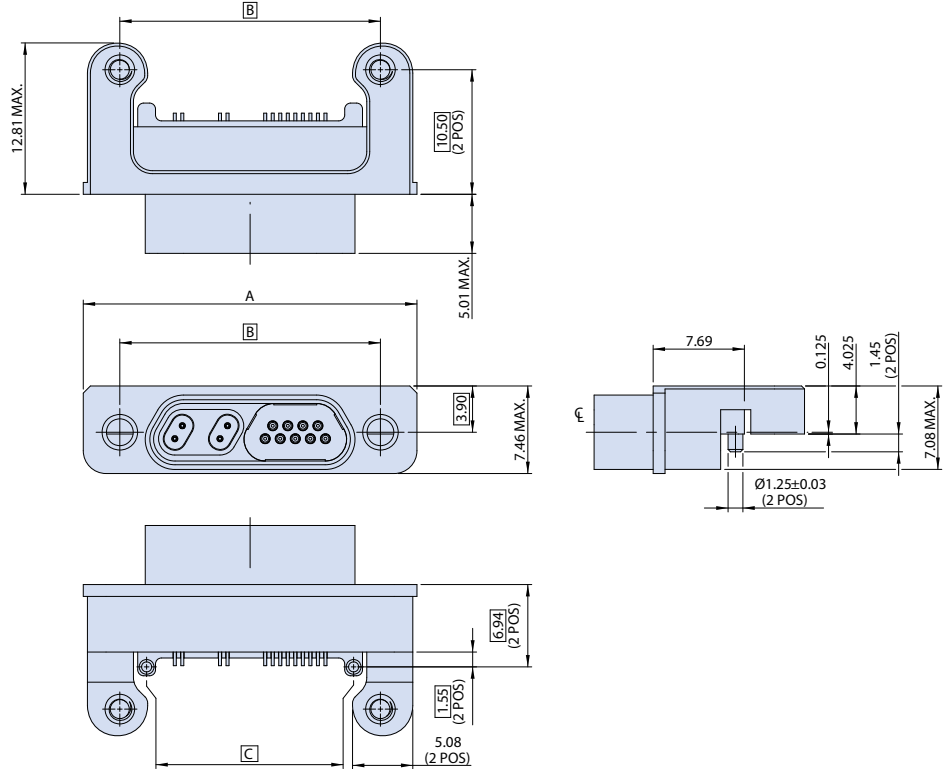
GMMD-HRE HORIZONTAL EDGE-LAUNCHED PCB-MOUNT CONNECTOR DIMENSIONS



GMMD-HRE

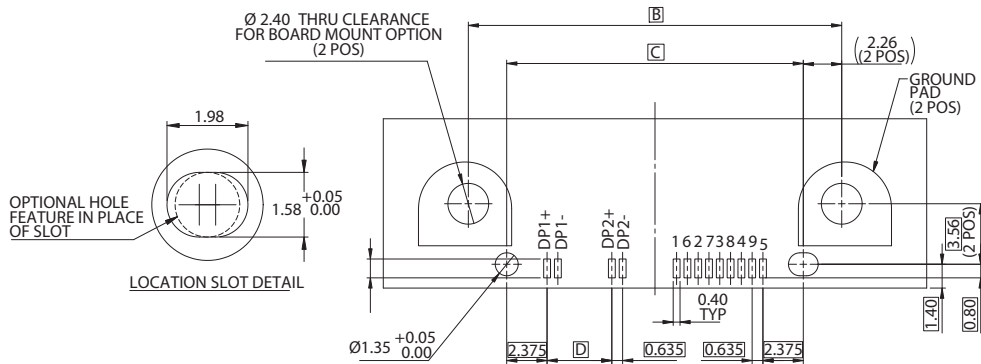
Horizontal PCB-Mount Edge-Launched Receptacle

Shell size	A	B	C
	(mm)	(mm)	(mm)
9	20.56	14.35	9.83
15	24.37	18.16	13.64
21	28.18	21.97	17.45
25	30.72	24.51	19.99
31	34.53	28.32	23.80
37	38.34	32.13	27.61
51-2	47.23	41.02	36.50
67	57.39	51.18	46.66



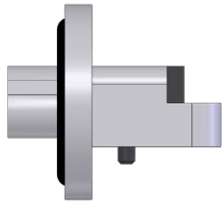
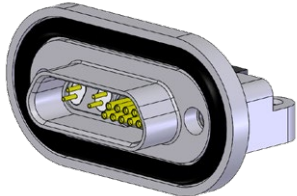
PCB MOUNTING PATTERN FOR GMMD-HRE EDGE-LAUNCHED PCB-MOUNT (SMT MOUNT - COMPONENT SIDE)

Twinax Contact Pitch		
Shell size	Contact Arrangement	D mm
9	2T9	3.810
15	4T	2.540
21	2T9	3.810
31	4T9	3.175
31	5T9	2.540
31	8T	2.540
37	4T15	3.175
51	8T15	2.540
51	4T31	2.858
51	12T	2.540
67	12T15	2.540
67	6T37	2.858
67	8T31	2.540
67	16T	2.540



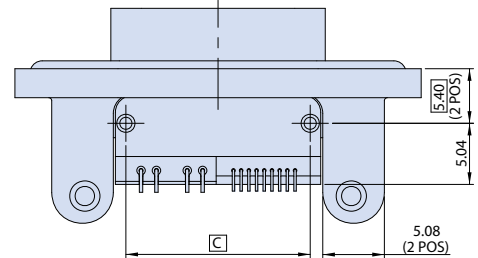
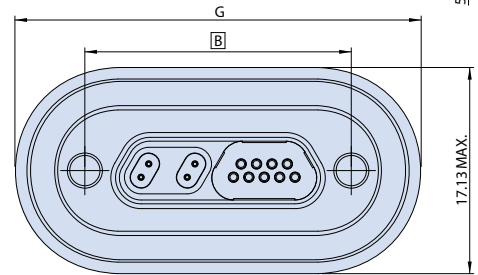
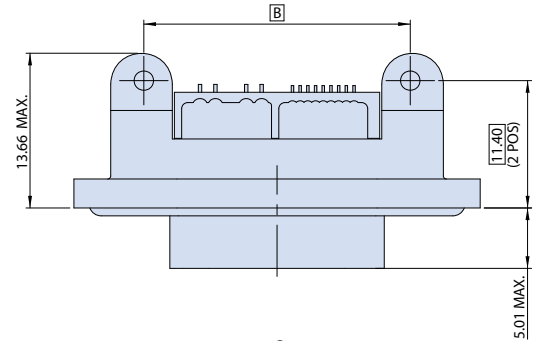
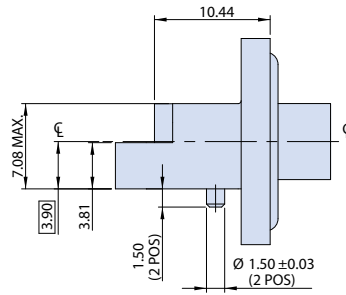
Horizontal PCB-mount twinax and combo twinax receptacles Surface-mount termination • panel-sealed

GMMD-HRP HORIZONTAL PCB-MOUNT PANEL-SEALED CONNECTOR DIMENSIONS



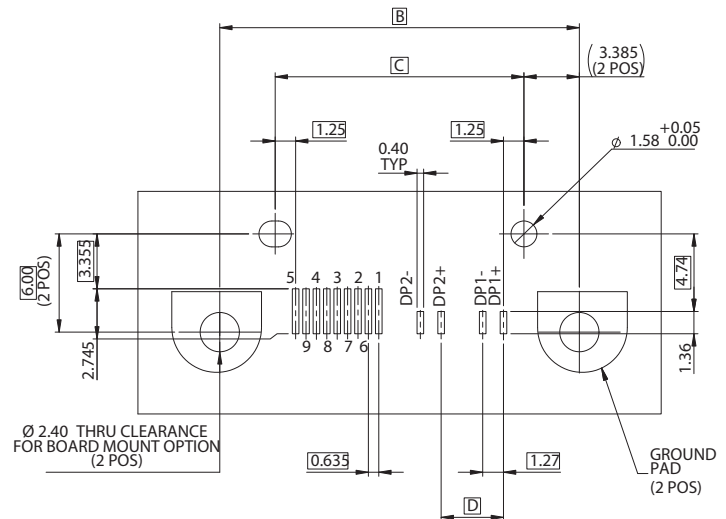
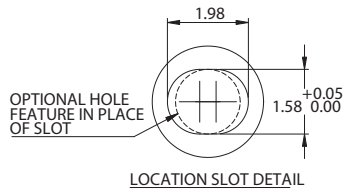
GMMD-HRP
Horizontal PCB-Mount
Panel-Sealed Receptacle

Shell size	B (mm)	C (mm)	G (mm)
9	14.35	7.58	25.88
15	18.16	11.39	29.69
21	21.97	15.20	33.50
25	24.51	17.74	36.04
31	28.32	21.55	39.85
37	32.13	25.36	43.66
51-2	41.02	34.25	52.55
67	51.18	44.41	62.71



PCB MOUNTING PATTERN FOR GMMD-HRP HORIZONTAL PCB-MOUNT PANEL-SEALED (SMT MOUNT - COMPONENT SIDE)

Twinax Contact Pitch		
Shell size	Contact Arrangement	D mm
9	2T9	3.810
15	4T	2.540
21	2T9	3.810
31	4T9	3.175
31	5T9	2.540
31	8T	2.540
37	4T15	3.175
51	8T15	2.540
51	4T31	2.858
51	12T	2.540
67	12T15	2.540
67	6T37	2.858
67	8T31	2.540
67	16T	2.540

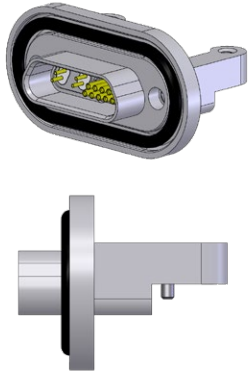


GMMD TWINAX AND COMBO TWINAX CONNECTORS

Horizontal PCB-mount twinax and combo twinax receptacles Surface-mount termination • panel-sealed edge-launched

GMMD TWINAX AND COMBO TWINAX CONNECTORS

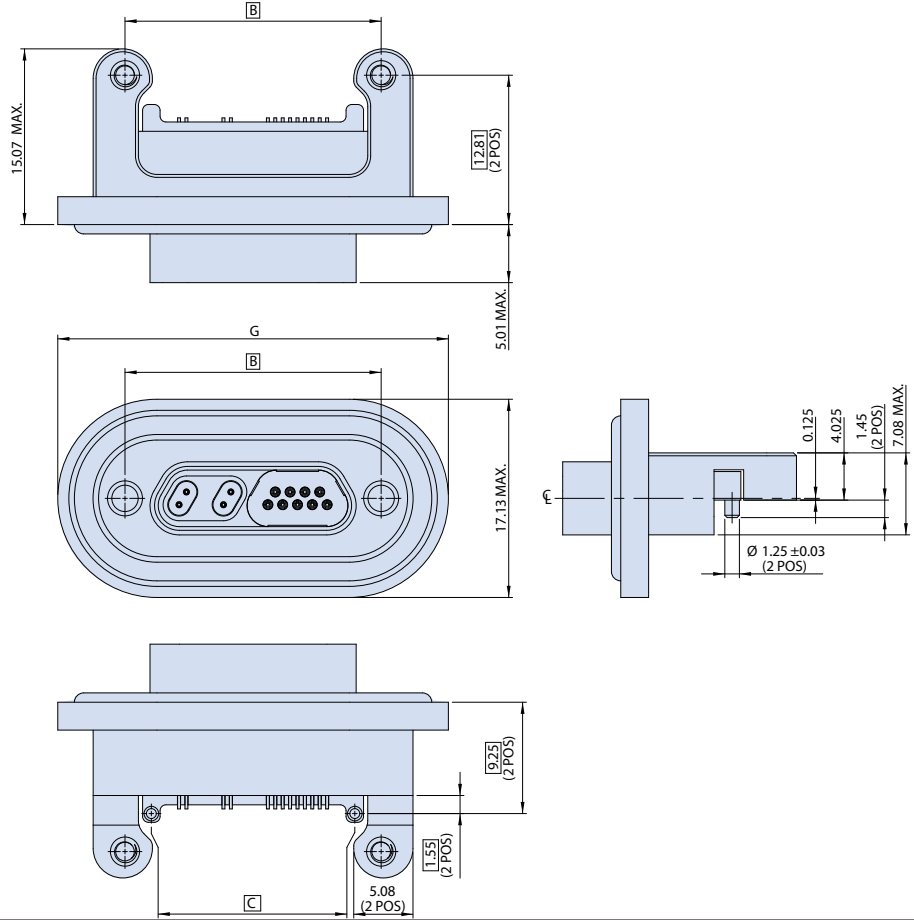
GMMD-HRPE HORIZONTAL PANEL-SEALED EDGE-LAUNCHED PCB-MOUNT CONNECTOR DIMENSIONS



GMMD-HRPE

Horizontal PCB-Mount Panel-Sealed Edge-Launched Receptacle

Shell size	B	C	G
	(mm)	(mm)	(mm)
9	14.35	9.83	25.88
15	18.16	13.64	29.69
21	21.97	17.45	33.50
25	24.51	19.99	36.04
31	28.32	23.80	39.85
37	32.13	27.61	43.66
51-2	41.02	36.50	52.55
67	51.18	46.66	62.71



PCB MOUNTING PATTERN FOR GMMD-HRPE HORIZONTAL PCB-MOUNT PANEL-SEALED EDGE-MOUNT (SMT MOUNT - COMPONENT SIDE)

Twinax Contact Pitch		
Shell size	Contact Arrangement	D mm
9	2T9	3.810
15	4T	2.540
21	2T9	3.810
31	4T9	3.175
31	5T9	2.540
31	8T	2.540
37	4T15	3.175
51	8T15	2.540
51	4T31	2.858
51	12T	2.540
67	12T15	2.540
67	6T37	2.858
67	8T31	2.540
67	16T	2.540

