

# The snap-lock, trigger-release connector

## 860-005R Panel Mounting Receptacles With Solder Cup Terminals



860-005R

### Specifications

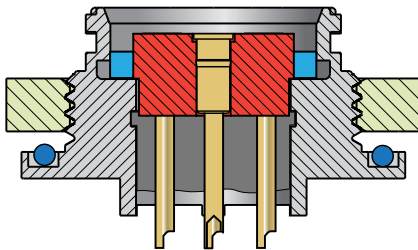
- Operating temperature: -55°C to +125°C
- Dielectric withstanding voltage: 500 VAC
- Current rating: 5 A
- Contact resistance: 20 milliohms
- Wire size: #22 AWG maximum
- Water immersion: MIL-STD-810G Method 512.5
- Ingress protection: IP67
- Mechanical life: 2000 cycles

### Connector Construction

- Shell: stainless steel
- Jam nut: stainless steel
- Contacts: copper alloy, gold plated
- Insert: glass-filled thermoplastic
- O-ring: fluorosilicone
- Peripheral seal: fluorosilicone
- Potting compound: RTV silicone

860-005R panel mount MouseBud receptacles with “hot shoe” type contacts are lightweight, ultra low profile and are rated for 2000 mating cycles. Suitable for hostile environments including soldier-wearable electronics, these receptacle connectors meet MIL-STD-810G immersion requirements mated or unmated. Contacts are easy to clean, damage resistant and non-removable. Solder cups accept up to #22 AWG wire. Gold plated contacts, stainless steel shell and thermoplastic insulator. 5A current rating, 500VAC dielectric withstanding voltage rating. -55° to +125° C operating temperature.

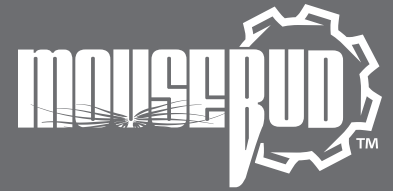
How To Order	
	860-005R- B7 ZR 07 A- 12
Product	<b>860-005R</b> = MouseBud panel mount receptacle with solder cup terminals
Contact Arrangement (Table 1)	<b>B7</b> = seven contacts, size B shell <b>C10</b> = ten contacts, size C shell
Finish	<b>M</b> = electroless NI <b>MT</b> = Nickel-PTFE <b>ZR</b> = Black zinc-nickel
Shell Style	<b>00</b> = front panel mounting <b>07</b> = rear panel mounting
Key Position (Table 2)	<b>A</b> = position A <b>D</b> = position D <b>B</b> = position B <b>E</b> = position E <b>C</b> = position C <b>F</b> = position F
Panel Thickness	<b>15</b> = .062 (1.5) <b>30</b> = .125 (3.0)



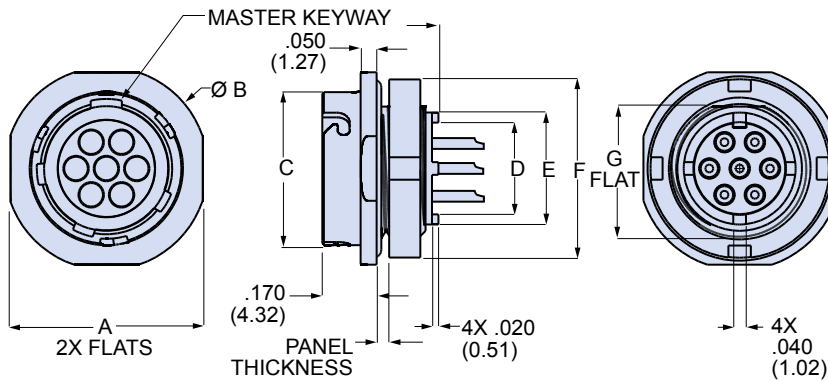
**Mounting Style 07**  
for rear panel mounting

Table 1: Contact Arrangements			
<p><b>B7</b></p>		<p><b>C10</b></p>	
Contact Arr.	<b>B7</b>	Contact Arr.	<b>C10</b>
# of Contacts	7	# of Contacts	10
Contact Diameter	.038 (0.96)	Contact Diameter	.038 (0.96)
Current Rating	5A	Current Rating	5A

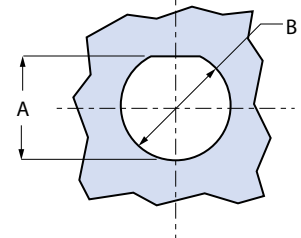
Table 2: Key Positions			
Code	A°	B°	C°
<b>A</b>	120°	200°	265°
<b>B</b>	80°	150°	265°
<b>C</b>	95°	150°	235°
<b>D</b>	95°	200°	320°
<b>E</b>	95°	225°	265°
<b>F</b>	120°	225°	320°



Front Panel Mount Style 00 Dimensions														
Contact Arr.	A		B		C		D		E		F		G	
	in.	mm.	in.	mm.	in.	mm.	in.	mm.	in.	mm.	in.	mm.	in.	mm.
B7	.602	15.29	.635	16.13	.480	12.19	.290	7.37	.350	8.89	.562	14.27	.410	10.41
C10	.723	18.36	.755	19.18	.605	15.37	.415	10.54	.475	12.07	.688	17.48	.536	13.61

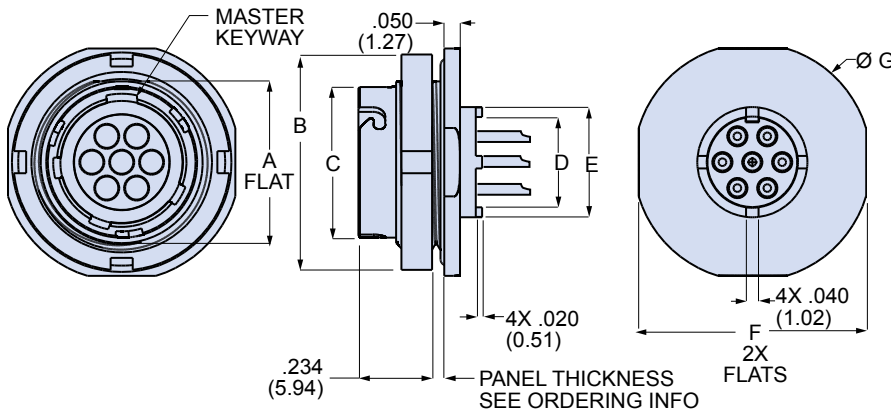


Style 00 Panel Cutout

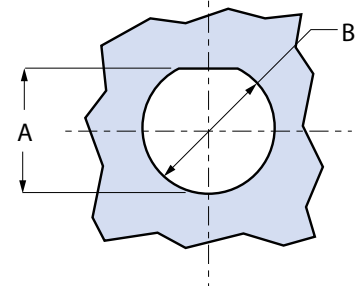


Contact Arr.	Shell Style	A ± .002 (0.05)		B ± .002 (0.05)	
		in.	mm.	in.	mm.
B7	00	.416	10.57	.447	11.35
C10	00	.542	13.77	.572	14.53

Rear Panel Mount Style 07 Dimensions														
Contact Arr.	A		B		C		D		E		F		G	
	in.	mm.	in.	mm.	in.	mm.	in.	mm.	in.	mm.	in.	mm.	in.	mm.
B7	.536	13.60	.688	17.48	.480	12.19	.290	7.37	.350	8.89	.723	18.36	.755	19.18
C10	.656	16.66	.812	20.62	.605	15.37	.415	10.54	.475	12.07	.855	21.72	.890	22.61



Style 07 Panel Cutout



Contact Arr.	Shell Style	A ± .002 (0.05)		B ± .002 (0.05)	
		in.	mm.	in.	mm.
B7	07	.542	13.77	.572	14.53
C10	07	.666	16.92	.697	17.70

Jam Nut Tightening Tools



Use these tools to install spanner-type jam nuts. 1/4 inch square drive. 20-25 in.-lbs. recommended torque. Hardened steel, nickel plated.

Layout	Mounting Style	Tool PN
B7	Style 00 Front Mt	600-146-05
B7	Style 07 Rear Mt	600-147-6
C10	Style 00 Front Mt	600-147-6
C10	Style 07 Rear Mt	600-146-12