

860-006P MouseBud™ harsh environment cordsets are overmolded, shielded and 100% tested. High-performance cable is equipped with a braided tinned copper shield with 90% minimum optical coverage. Shield is terminated to connector with a stainless steel Band-Master® ATS strap. Ultra-lightweight, low profile and water-resistant. Auto-coupling mechanism—simply push to mate and lock. To release, actuate thumb trigger on coupling ring. Style 2 cordset with thermoplastic rubber jacket and overmold has excellent cold bend performance to -55° C. Connectors feature spring-loaded gold plated contacts, stainless steel shells and self-actuating bayonet coupling rings. 5A current rating, 500VAC dielectric withstanding voltage rating.

Specifications

- Operating temperature:
-30°C to +105°C (cordset style 1)
-55°C to +125°C (cordset style 2)
- Dielectric withstanding voltage: 500 VAC
- Current rating: 5 A
- Contact resistance: 20 milliohms
- Water immersion: MIL-STD-810G Meth. 512.5
- Ingress protection: IP67
- Mechanical life: 2500 cycles

Connector Construction

- Shell, lid: aluminum alloy
- Bayonet pins, coupling ring, retainer ring and torsion spring: stainless steel
- Contacts: copper alloy, gold plated
- Insert: ultem or LCP/PPS, black
- Ground spring: stainless steel/gold-plated
- Gasket: fluorosilicone
- Potting compound: EP-38

Cable Construction

- Wires: silver-coated copper, TFE insulation
- Overmold: polyamide or thermoplastic elastomer
- shield: tin-coated copper microfilament, 90% minimum optical coverage
- Jacket: thermoplastic polyurethane (TPU) or thermoplastic elastomer (TPV)

| How To Order | |
|---------------------------------|--|
| | 860-006P- B7 ZR 1 A 2 4 -36 |
| Product | 860-006P = overmolded MouseBud cordset |
| Contact Arrangement (Table 1) | B7 = seven contacts, size B shell C10 = ten contacts, size C shell |
| Finish | ME = electroless NI TZ = tin zinc MT = nickel-PTFE ZR = black zinc-nickel |
| Release Trigger Style (Table 2) | 1 = Standard low-profile release trigger (fig. 1) 2 = Extended release trigger (fig. 2) |
| Key Position (Table 3) | A = position A D = position D B = position B E = position E C = position C F = position F |
| Cordset Style (Table 4) | 1 = polyurethane cable jacket with polyurethane overmold 2 = polyurethane cable jacket with polyamide overmold 3 = rubber cable jacket with rubber overmold |
| Wire Size (AWG) | 4 = #24 8 = #28 |
| Length | Cable Length in inches, 12 inch minimum |

| | | | |
|------------------|-------------|-------------------|-------------|
| <p>B7</p> | | <p>C10</p> | |
| Contact Arr. | B7 | Contact Arr. | C10 |
| # of Contacts | 7 | # of Contacts | 10 |
| Contact Diameter | .038 (0.96) | Contact Diameter | .038 (0.96) |
| Current Rating | 5A | Current Rating | 5A |

| | |
|---|--|
| <p>Low-profile release trigger</p> | <p>Extended release trigger</p> |
|---|--|

| | | | |
|----------|------|------|------|
| | | | |
| Code | A° | B° | C° |
| A | 120° | 200° | 265° |
| B | 80° | 150° | 265° |
| C | 95° | 150° | 235° |
| D | 95° | 200° | 320° |
| E | 95° | 225° | 265° |
| F | 120° | 225° | 320° |

SERIES 860
MouseBud™
 The snap-lock, trigger-release connector
 860-006P Plug Cordsets

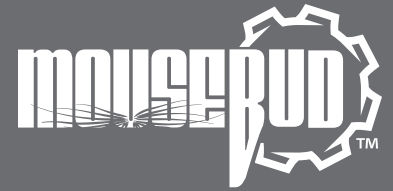
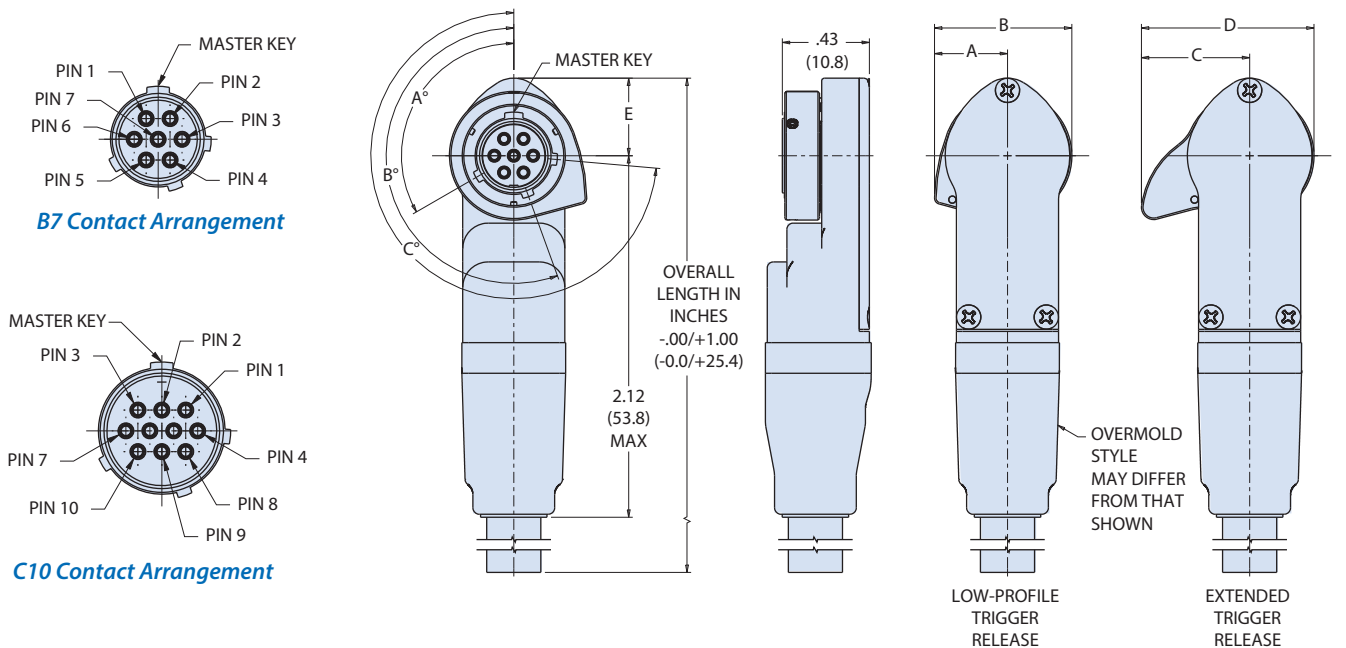


Table 4: Cordset Style

| Property | Style 1 | Style 2 |
|----------------------------------|----------------------------------|-------------------------------|
| Cable jacket | Thermoplastic polyurethane (TPU) | Thermoplastic elastomer (TPV) |
| Overmold | Polyamide | Thermoplastic elastomer (TPV) |
| Operating temperature | -30° C to +105° C | -55° C to +125° C |
| Flexibility | Good | Excellent |
| Water Resistance | Waterproof | Waterproof |
| Solvent Resistance, Cable Jacket | Excellent | Good |
| Solvent Resistance, Overmold | Fair | Good |
| Weatherability | Excellent | Excellent |
| Abrasion Resistance | Excellent | Good |
| Flammability | Flame retardant UL 94 V-0 | Flame retardant UL 94 HB |

Table 5: Wire Color

| Contact Number | Color |
|----------------|--------|
| 1 | Black |
| 2 | Brown |
| 3 | Red |
| 4 | Orange |
| 5 | Yellow |
| 6 | Green |
| 7 | Blue |
| 8 | Violet |
| 9 | Grey |
| 10 | White |



Dimensions

| Contact Arr. | A | | B | | C | | D | | E | |
|--------------|-----|------|-----|------|-----|------|-----|------|-----|------|
| | In. | mm. | In. | mm. | In. | mm. | In. | mm. | In. | mm. |
| B7 | .36 | 9.1 | .67 | 17.1 | .53 | 13.5 | .84 | 21.5 | .38 | 9.6 |
| C10 | .43 | 10.8 | .80 | 20.4 | .59 | 15.0 | .97 | 24.5 | .44 | 11.2 |