

Glenair Back-To-Back Cable Assemblies feature gold alloy TwistPin contacts. Contacts are precision-crimped to insulated, stranded wire. These nanomimature connectors offer premium performance and reliability for demanding applications. Contact spacing is .025 inches. 1 amp current rating, DWV rating 250 volts AC. Wire gages #30 and #32 AWG.

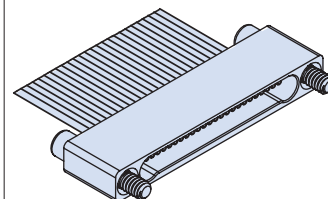
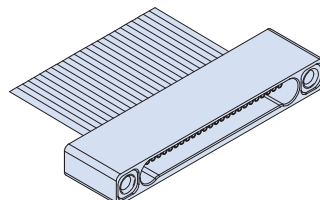
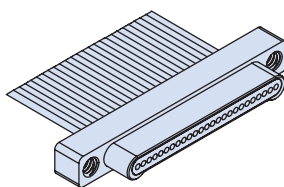
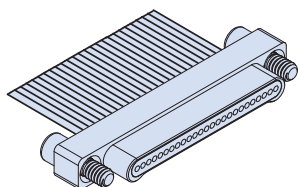
TwistPin Contact System assures premium performance in demanding environments. The gold alloy contacts will stand up to years of exposure without corrosion.

How to Order

Sample Part Number	890-005	-25	CS	A2	-0	B	7	-12	JT
Series	890-005 = Back-To-Back Cables, Single Row, Nanomimature								
Number of Contacts	5, 9, 15, 21, 25, 31, 37, 51								
Connector Type	GP = Plug (Pin) Connector on Both Ends GS = Receptacle (Socket) Connector on Both Ends CS = Plug (Pin) On One End, Receptacle On The Other End								
Shell Material and Finish	A1 = Aluminum Shell, Cadmium Plating S = Stainless Steel Shell, Passivated A2 = Aluminum Shell, Electroless Nickel Plating T = Titanium Shell, Unplated								
Wire Gage	0 = #30 AWG 2 = #32 AWG								
Wire Type	A = Ultra Lightweight XLETFE Insulation, Silver Coated Ultra High Strength Copper. (Not available in #32 AWG) B = Extruded PTFE Insulation, Silver Coated Copper NEMA HP3-ETX (MIL-W-16878/6) C = Cross Linked Modified ETFE Insulation, Silver Coated High Strength Copper. MIL-W-22759/33 (Not available in #32 AWG)								
Wire Color Code	1 = White 2 = Yellow 7 = 10 Color Repeating (wire type A is striped, types B and C are solid colors)								
Overall Length	Overall Length In Inches Including Connectors; Example: "12" specifies 12 inches OAL								
Hardware	JJ = Jackscrews on both ends (GP, GS, CS) TJ = Jackscrews on receptacle, threaded holes on plug (CS) (*See Note at Right) * Female threads are available on plug connectors only if the shell material is titanium or stainless steel. JT = Jackscrews on plug, threaded holes on receptacle (CS) JR = Jackscrews on receptacle, threaded holes on receptacle (GS) JP = Jackscrews on plug, threaded holes on plug (GP) (*See Note at Right) TT = Threaded holes both ends (GP, GS, CS) (*See Note at Right)								

Plug (Pin) Connector

Receptacle (Socket) Connector

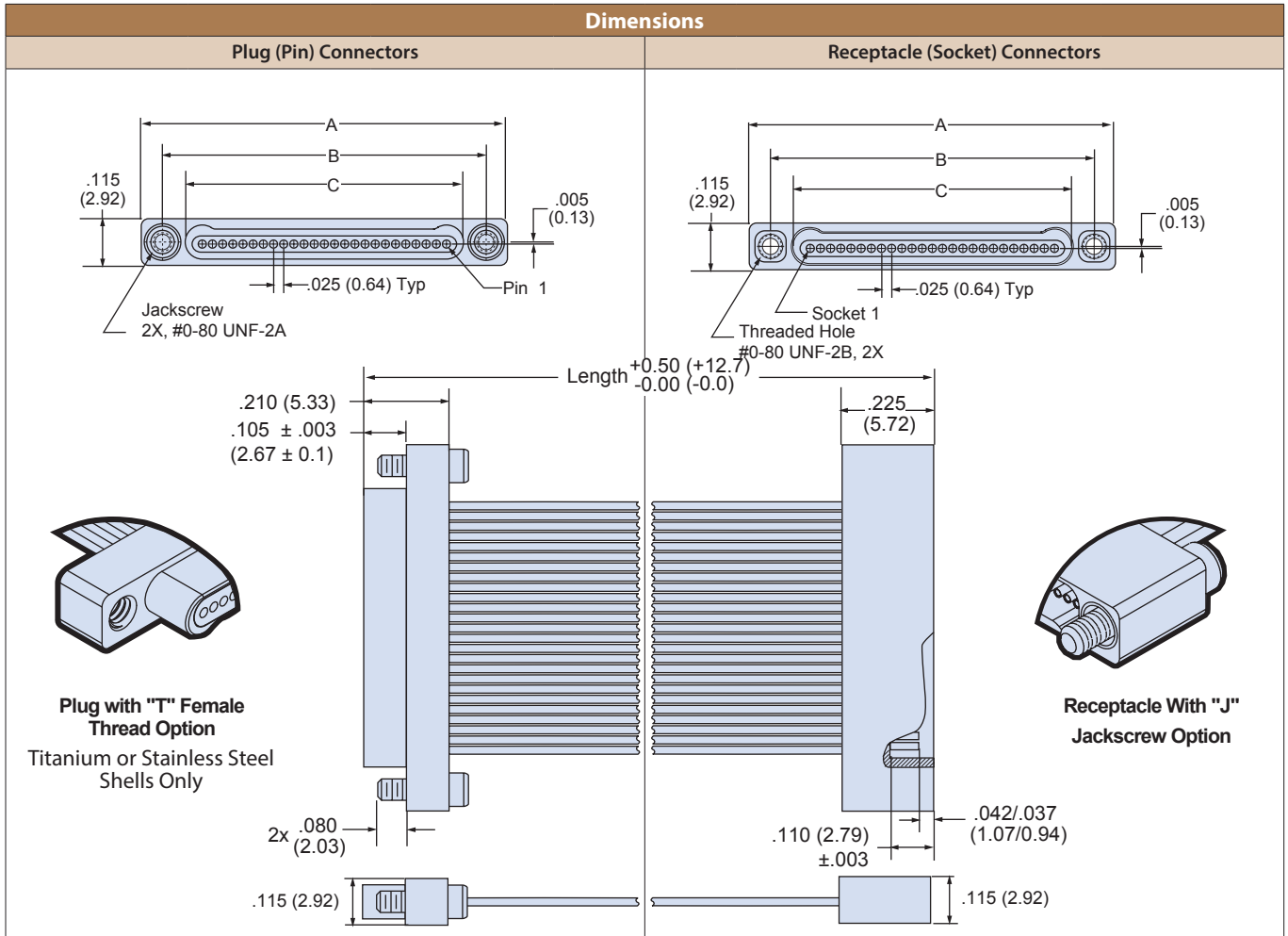


J - Jackscrew Option

T - Female Thread Option

T - Female Thread Option

J - Jackscrew Option



Layout	A		B BSC.		C BSC.	
	In. ± .005	mm. ± 0.13	In.	mm.	In.	mm.
5P	.400	10.16	.295	7.49	.184	4.67
5S	.400	10.16	.295	7.49	.185	4.70
9P	.500	12.70	.395	10.03	.284	7.21
9S	.500	12.70	.395	10.03	.285	7.24
15P	.650	16.51	.545	13.84	.434	11.02
15S	.650	16.51	.545	13.84	.435	11.05
21P	.800	20.32	.695	17.65	.584	14.83
21S	.800	20.32	.695	17.65	.585	14.86
25P	.900	22.86	.795	20.19	.684	17.37
25S	.900	22.86	.795	20.19	.685	17.40
31P	1.050	26.67	.945	24.00	.834	21.18
31S	1.050	26.67	.945	24.00	.835	21.21
37P	1.200	30.48	1.095	27.81	.984	24.99
37S	1.200	30.48	1.095	27.81	.985	25.02
51P	1.550	39.37	1.445	36.70	1.334	33.88
51S	1.550	39.37	1.445	36.70	1.335	33.91