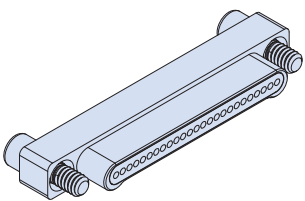
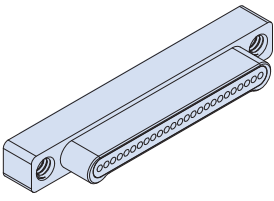
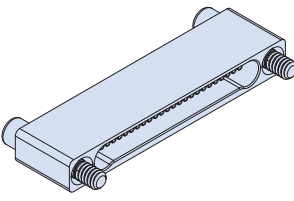
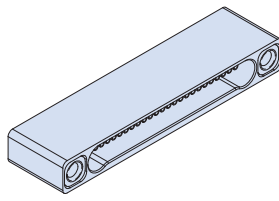


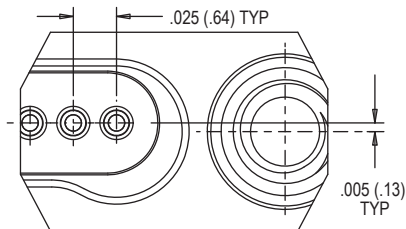
Nano Plug, Single Row Shorting Connectors feature gold alloy TwistPin contacts. These nanominiature shorting connectors provide ESD protection for sensitive instrumentation. Available with #0-80 female threads or #0-80 jackscrew threads.

Choose Aluminum, Titanium or Stainless Steel Shells in eight layouts from 5 to 51 contacts. These connectors are intermateable with any corresponding Glenair Series 890 single row metal shell nanominiature connector.

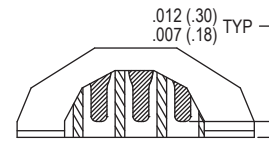
How to Order	
Sample Part Number	890-037 -25P A2 -C -J
Series	890-037 = Shorting Plug 890-038 = Shorting Receptacle
Insert Arrangement/ Contact Type	Plugs (890-037): 5P, 9P, 15P, 21P, 25P, 31P, 37P, 51P Receptacles (890-038): 5S, 9S, 15S, 21S, 25S, 31S, 37S, 51S
Shell Material and Finish	A1 = Aluminum Shell, Cadmium Plating A2 = Aluminum Shell, Electroless Nickel Plating S = Stainless Steel Shell, Passivated T = Titanium Shell, Unplated
Shorting Combination	C = All Contacts Shorted Together, Isolated from the Shell G = All Contacts Shorted Together, and Grounded to the Shell
Hardware	J = Hex Head Jackscrew T = Female Thread* * Female threads are available on plug connectors only if the shell material is titanium or stainless steel.

Plug (Pin) Connector		Receptacle (Socket) Connector	
			
J - Jackscrew	T - Female Thread	J - Jackscrew	T - Female Thread

DETAIL A



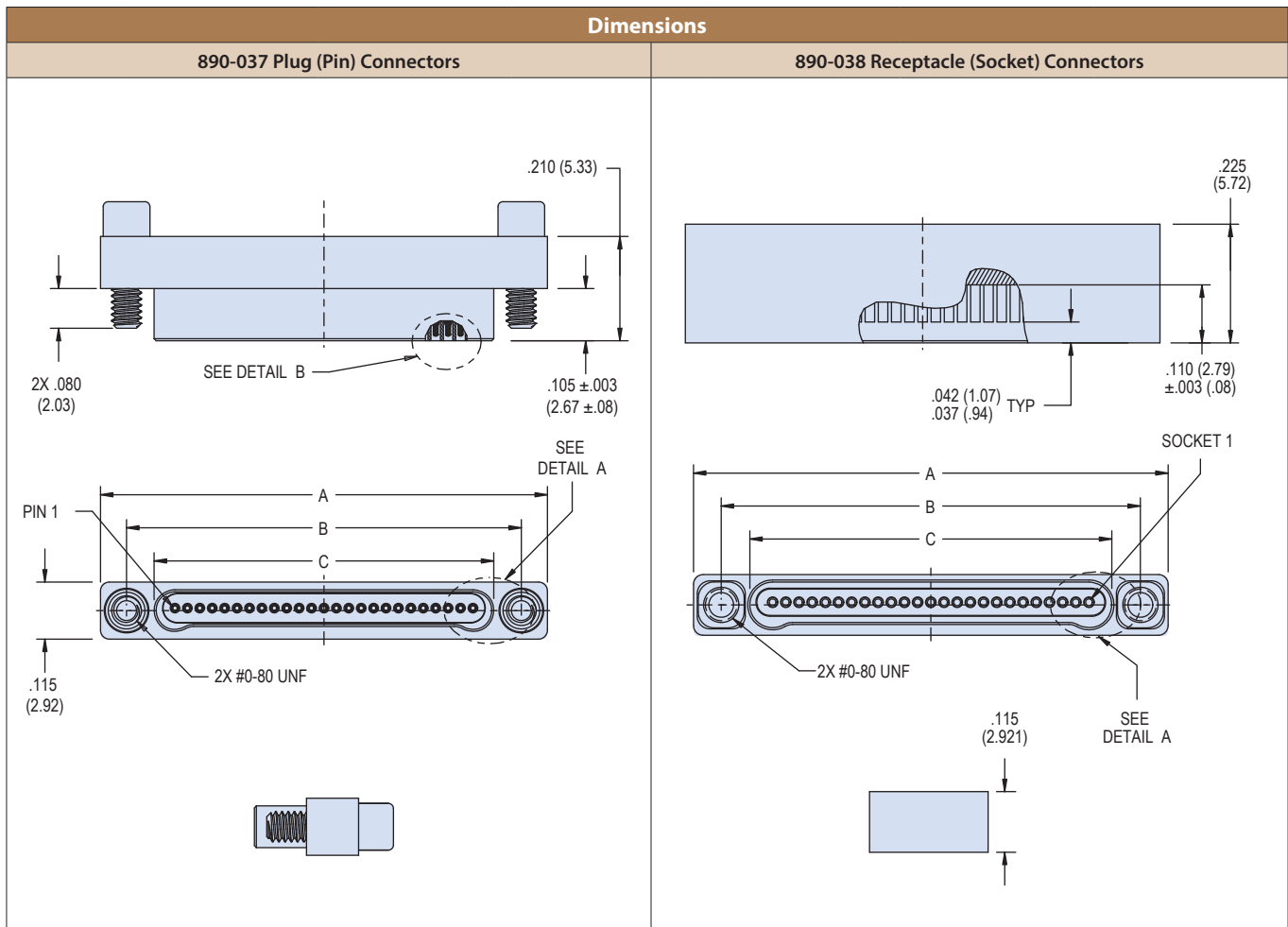
DETAIL B



NOTES

- Inspect and Test IAW MIL-DTL-32139
- Interface dimensions per MIL-DTL-32139/1 and MIL-DTL-32139/2
- Material and finish:
 - Shell: see part number breakdown
 - Insulator: LCP N/A

- Contacts: Gold alloy/unplated
- Wire: single strand copper wire, uninsulated, with gold plating, 30 AWG
- Hardware: stainless steel, passivated



Layout	A		B BSC.		C BSC.	
	In.	mm.	In.	mm.	In.	mm.
5P	.400	10.16	.295	7.49	.184	4.67
5S	.400	10.16	.295	7.49	.185	4.70
9P	.500	12.7	.395	10.03	.284	7.21
9S	.500	12.7	.395	10.03	.285	7.24
15P	.650	16.51	.545	13.84	.434	11.02
15S	.650	16.51	.545	13.84	.435	11.05
21P	.800	20.32	.695	17.65	.584	14.83
21S	.800	20.32	.695	17.65	.585	14.86
25P	.900	22.86	.795	20.19	.684	17.37
25S	.900	22.86	.795	20.19	.685	17.40
31P	1.050	26.67	.945	24.00	.834	21.18
31S	1.050	26.67	.945	24.00	.835	21.21
37P	1.200	30.48	1.095	27.81	.984	24.99
37S	1.200	30.48	1.095	27.81	.985	25.02
51P	1.550	39.37	1.445	36.70	1.334	33.88
51S	1.550	39.37	1.445	36.70	1.335	33.91