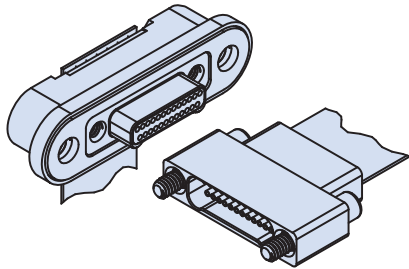


## Flex Assembly with Rear Panel Mount Nano to Nano I/O How to Order



**Flex Assemblies** feature rear panel mount to Nano I/O connectors with gold alloy TwistPin contacts terminated to flex. Ideal for inside enclosures where the flex path can exit the connector parallel to the enclosure panel. These assemblies offer premium performance while saving space and weight in comparison to wired assemblies. Contact spacing is .025 inches. 1 amp current rating, DWV

rating 250 volts AC. For custom length, flex shape, and signal terminations, please contact your Glenair sales representative.

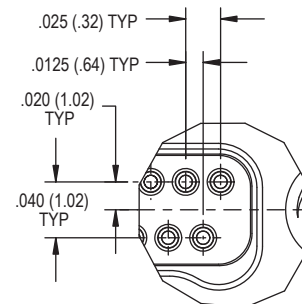
**Gasket Seals** are available in fluorosilicone, passivated silver plated aluminum filled fluorosilicone or nickel plated aluminum filled fluorosilicone. For replacement gaskets, see 899-015.

How to Order	
<b>Sample Part Number</b>	891-034 -25P S 01 M -P A2 J -12 S
<b>Series</b>	891-034 = Plug or Receptacle
<b>Insert Arrangement/ Contact Type</b>	Plugs: 9P, 15P, 21P, 25P, 31P, 37P, 41P, 51P, 65P, 69P, 85P Receptacles: 9S, 15S, 21S, 25S, 31S, 37S, 41S, 51S, 65S, 69S, 85S
<b>Panel Mount Shell Material and Finish</b>	T - Titanium Shell, Unplated S - Stainless Steel Shell, Passivated
<b>Panel Mount Gasket Material</b>	Omit for No Gasket 01 = Fluorosilicone IAW MIL-DTL-25988 Type II, Class I, Grade 70 02 = Passivated Silver Plated Aluminum Filled Fluorosilicone IAW MIL-DTL-83528, Type "D" (Cho-Seal 1298 or Equivalent) 03 = Nickel Plated Aluminum Filled Fluorosilicone, (Cho-Seal 6503 or Equivalent)
<b>Mounting Thread Option</b>	Omit for #2-56 UNC-2B M = M2X0.4 6H
<b>Board Level Contact Type</b>	P = Plug S = Receptacle
<b>Board Level Shell/ Can Material and Finish</b>	A1 = Aluminum Shell, Cadmium Plating S = Stainless Steel Shell, Passivated A2 = Aluminum Shell, Electroless Nickel Plating T = Titanium Shell, Unplated
<b>Board Level Hardware Option</b>	J = Hex Head Jackscrew T = Female Thread* * Female threads are available on plug connectors only if the shell material is titanium or stainless steel.
<b>Assembly Length</b>	3 = 3.00 ±.05 6 = 6.00 ±.05 12 = 12.00 ±.05
<b>Shielding Option</b>	Omit for none S = Shielding

### NOTES

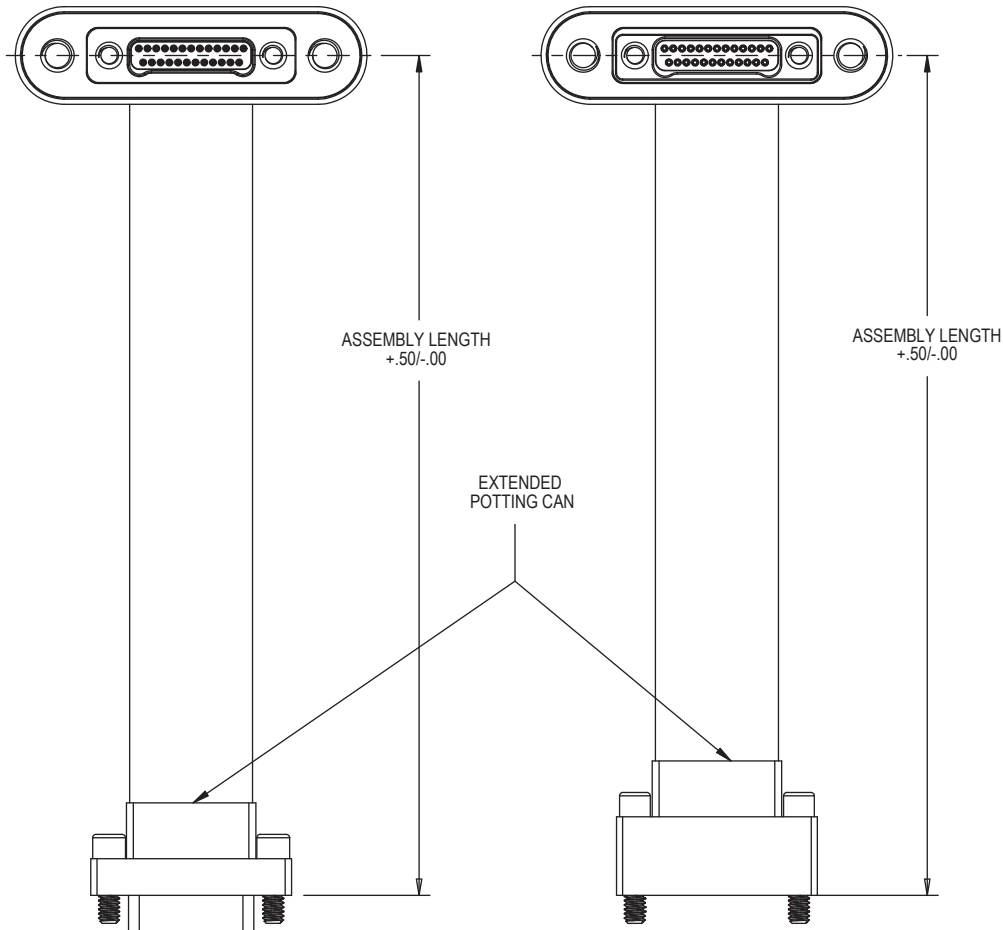
1. Connector performance IAW MIL-DTL-32139
2. Connector interface dimensions per MIL-DTL-32139/3 and MIL-DTL-32139/4
3. Panel mount and board level connectors shall be the same size. Flex traces are terminated from panel mount connector to board level connector 1 to 1.
4. Flex workmanship shall be IAW IPC-6013, Class 2.
5. Typical flex will be .01 ± .005 Thick.
6. Minimum bend radius is 6 to 10 times the flex thickness.
7. Flex shielding: EMI shielding film will be used when shielding option is chosen.

### DETAIL A

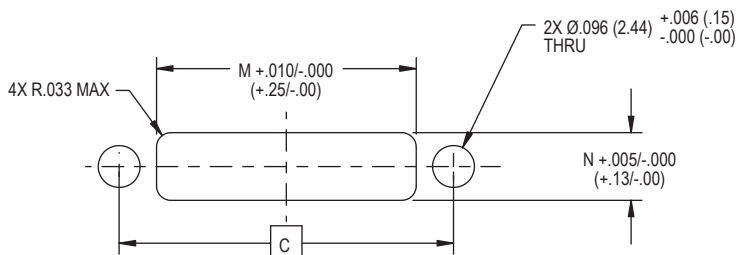


DIMENSIONS APPLY TO  
PLUG AND RECEPTACLE

**891-034 FLEX ASSEMBLY LENGTH**



**891-034 RECOMMENDED PANEL CUTOUT DIMENSIONS**

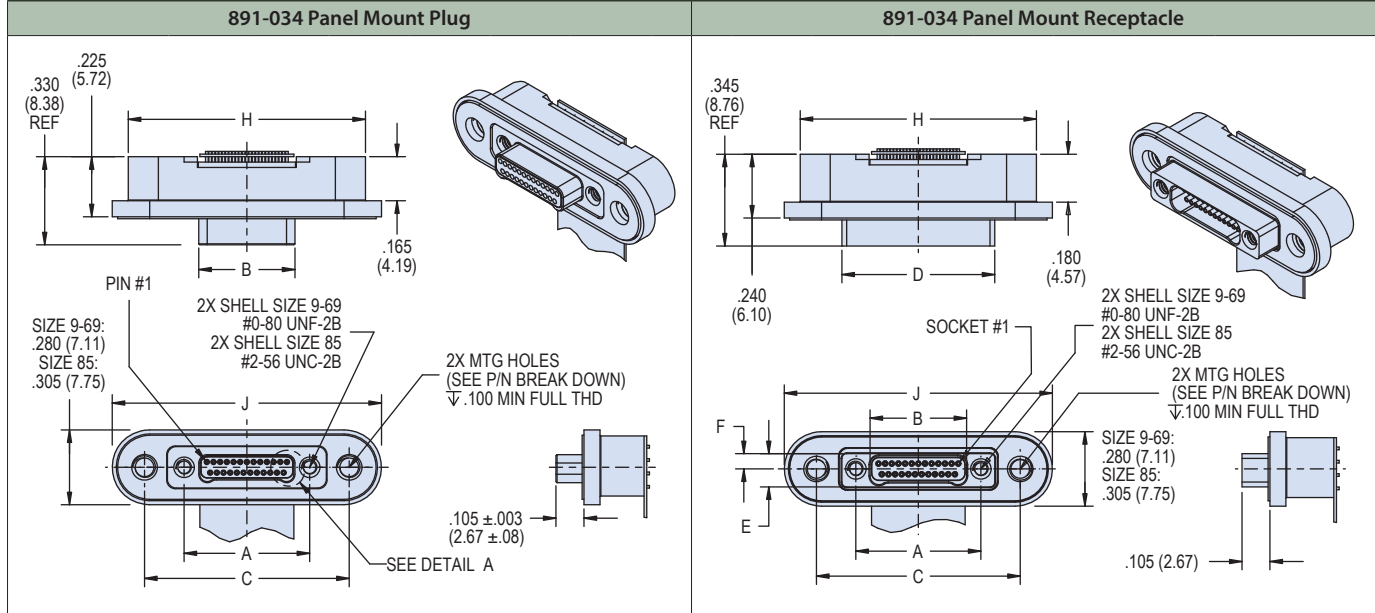


Rear panel mount connector can be installed into panel in either lobes up or lobes down orientation

Layout	C		M		N	
	In	mm	In	mm	In	mm
9	.566	14.376	.395	10.033	.155	3.937
15	.641	16.281	.470	11.938	.155	3.937
21	.716	18.186	.545	13.843	.155	3.937
25	.766	19.456	.595	15.113	.155	3.937
31	.841	21.361	.670	17.018	.155	3.937
37	.916	23.266	.745	18.923	.155	3.937
41	.966	24.536	.795	20.193	.155	3.937
51	1.091	27.711	.920	23.368	.155	3.937
65	1.266	32.156	1.095	27.813	.155	3.937
69	1.316	33.426	1.145	29.083	.155	3.937
85	1.568	39.827	1.397	35.484	.180	4.572



### Panel Mount Connector Dimensions



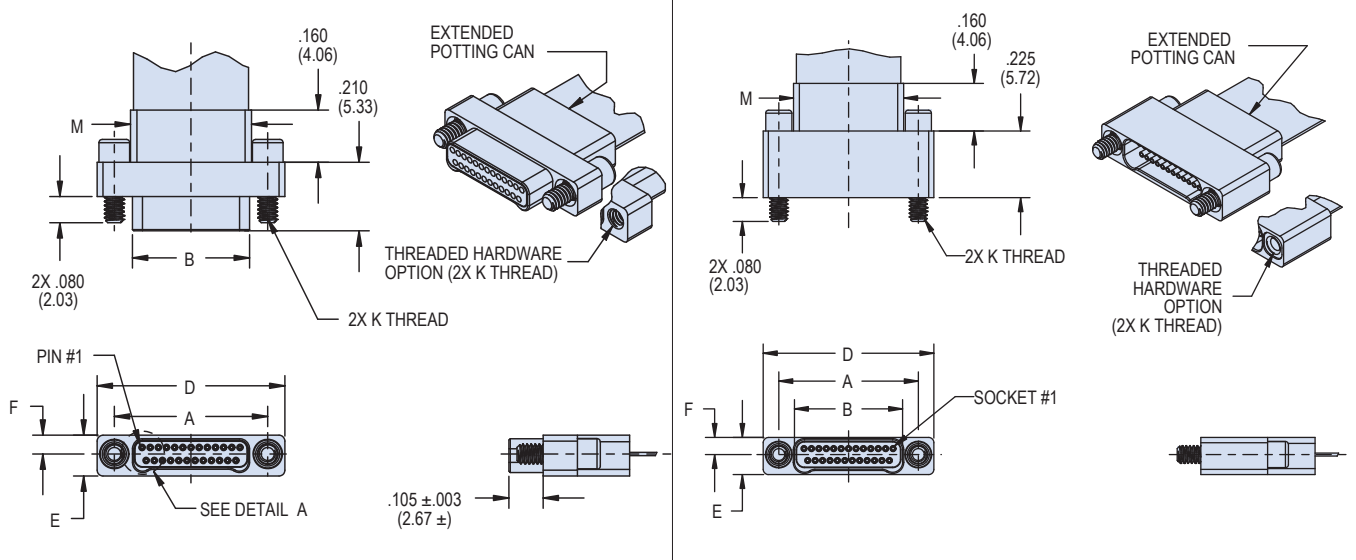
Layout	A BSC.		B BSC.		C BSC.		D		E		F		H		J	
	In	mm	In	mm	In	mm	In	mm	In	mm	In	mm	In	mm	In	mm
9P	.270	6.86	.160	4.06	.566	14.38	--	--	--	--	--	--	.688	17.48	.808	20.52
9S	.270	6.86	.163	4.14	.566	14.38	.375	9.53	.125	3.18	.0575	1.46	.688	17.48	.808	20.52
15P	.345	8.76	.235	5.97	.641	16.28	--	--	--	--	--	--	.763	19.38	.883	22.43
15S	.345	8.76	.238	6.05	.641	16.28	.450	11.43	.125	3.18	.0575	1.46	.763	19.38	.883	22.43
21P	.420	10.67	.310	7.87	.716	18.19	--	--	--	--	--	--	.838	21.29	.958	24.33
21S	.420	10.67	.313	7.95	.716	18.19	.525	13.34	.125	3.18	.0575	1.46	.838	21.29	.958	24.33
25P	.470	11.94	.360	9.14	.766	19.46	--	--	--	--	--	--	.888	22.56	1.008	25.60
25S	.470	11.94	.363	9.22	.766	19.46	.575	14.61	.125	3.18	.0575	1.46	.888	22.56	1.008	25.60
31P	.545	13.84	.435	11.05	.841	21.36	--	--	--	--	--	--	.963	24.46	1.083	27.51
31S	.545	13.84	.438	11.13	.841	21.36	.650	16.51	.125	3.18	.0575	1.46	.963	24.46	1.083	27.51
37P	.620	15.75	.510	12.95	.916	23.27	--	--	--	--	--	--	1.038	26.37	1.158	29.41
37S	.620	15.75	.513	13.03	.916	23.27	.725	18.42	.125	3.18	.0575	1.46	1.038	26.37	1.158	29.41
41P	.670	17.02	.560	14.22	.966	24.54	--	--	--	--	--	--	1.088	27.64	1.208	30.68
41S	.670	17.02	.563	14.30	.966	24.54	.775	19.69	.125	3.18	.0575	1.46	1.088	27.64	1.208	30.68
51P	.795	20.19	.685	17.40	1.091	27.71	--	--	--	--	--	--	1.213	30.81	1.333	33.86
51S	.795	20.19	.688	17.48	1.091	27.71	.900	22.86	.125	3.18	.0575	1.46	1.213	30.81	1.333	33.86
65P	.970	24.64	.860	21.84	1.266	32.16	--	--	--	--	--	--	1.388	35.26	1.508	38.30
65S	.970	24.64	.863	21.92	1.266	32.16	1.075	27.31	.125	3.18	.0575	1.46	1.388	35.26	1.508	38.30
69P	1.020	25.91	.910	23.11	1.316	33.43	--	--	--	--	--	--	1.438	36.53	1.558	39.57
69S	1.020	25.91	.913	23.19	1.316	33.43	1.125	28.58	.125	3.18	.0575	1.46	1.438	36.53	1.558	39.57
85P	1.246	31.65	1.110	28.19	1.568	39.83	--	--	--	--	--	--	1.690	42.93	1.810	45.97
85S	1.246	31.65	1.113	28.27	1.568	39.83	1.377	34.98	.150	3.81	.0700	1.78	1.690	42.93	1.810	45.97

D

**Board Level Connector Dimensions**

**891-034 Board Level Plug**

**891-034 Board Level Receptacle**



Layout	A BSC.		B BSC.		D		E		F		K	M	
	in	mm	in	mm	in	mm	in	mm	in	mm		in	mm
9P	.270	6.86	.160	4.06	.375	9.53	.125	3.18	.0575	1.46	#0-80 UNF	.171	4.34
9S	.270	6.86	.163	4.14	.375	9.53	.125	3.18	.0575	1.46	#0-80 UNF	.171	4.34
15P	.345	8.76	.235	5.97	.450	11.43	.125	3.18	.0575	1.46	#0-80 UNF	.246	6.25
15S	.345	8.76	.238	6.05	.450	11.43	.125	3.18	.0575	1.46	#0-80 UNF	.246	6.25
21P	.420	10.67	.310	7.87	.525	13.34	.125	3.18	.0575	1.46	#0-80 UNF	.321	8.15
21S	.420	10.67	.313	7.95	.525	13.34	.125	3.18	.0575	1.46	#0-80 UNF	.321	8.15
25P	.470	11.94	.360	9.14	.575	14.61	.125	3.18	.0575	1.46	#0-80 UNF	.371	9.42
25S	.470	11.94	.363	9.22	.575	14.61	.125	3.18	.0575	1.46	#0-80 UNF	.371	9.42
31P	.545	13.84	.435	11.05	.650	16.51	.125	3.18	.0575	1.46	#0-80 UNF	.446	11.33
31S	.545	13.84	.438	11.13	.650	16.51	.125	3.18	.0575	1.46	#0-80 UNF	.446	11.33
37P	.620	15.75	.510	12.95	.725	18.42	.125	3.18	.0575	1.46	#0-80 UNF	.521	13.23
37S	.620	15.75	.513	13.03	.725	18.42	.125	3.18	.0575	1.46	#0-80 UNF	.521	13.23
41P	.670	17.02	.560	14.22	.775	19.69	.125	3.18	.0575	1.46	#0-80 UNF	.571	14.50
41S	.670	17.02	.563	14.30	.775	19.69	.125	3.18	.0575	1.46	#0-80 UNF	.571	14.50
51P	.795	20.19	.685	17.40	.900	22.86	.125	3.18	.0575	1.46	#0-80 UNF	.696	17.68
51S	.795	20.19	.688	17.48	.900	22.86	.125	3.18	.0575	1.46	#0-80 UNF	.696	17.68
65P	.970	24.64	.860	21.84	1.075	27.31	.125	3.18	.0575	1.46	#0-80 UNF	.871	22.12
65S	.970	24.64	.863	21.92	1.075	27.31	.125	3.18	.0575	1.46	#0-80 UNF	.871	22.12
69P	1.020	25.91	.910	23.11	1.125	28.58	.125	3.18	.0575	1.46	#0-80 UNF	.921	23.39
69S	1.020	25.91	.913	23.19	1.125	28.58	.125	3.18	.0575	1.46	#0-80 UNF	.921	23.39
85P	1.246	31.65	1.110	28.19	1.377	34.98	.150	3.81	.0700	1.78	#2-56 UNC	1.121	28.47
<b>85S</b>	1.246	31.65	1.113	28.27	1.377	34.98	.150	3.81	.0700	1.78	#2-56 UNC	1.121	28.47

**D**