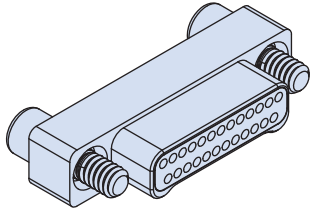
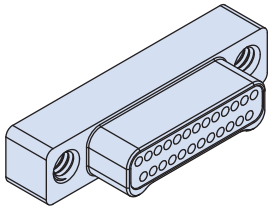
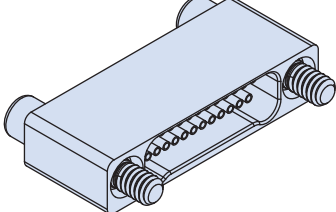
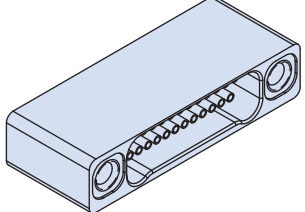


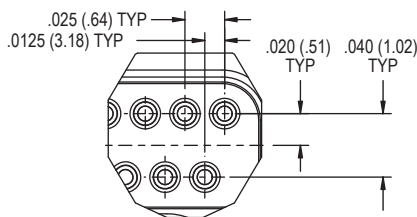
Nano Plug, Dual Row Shorting Connectors feature gold alloy TwistPin contacts. These nanominiature shorting connectors provide ESD protection for sensitive instrumentation. Available with #0-80 or #2-56 female threads or jackscrews.

Typical Applications shorting plugs and receptacles protect unmated connectors from stray EMI and ESD which could lead to damage of sensitive components.

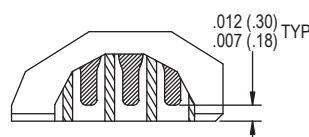
How to Order		891-037	-25P	A2	-C	-J
Sample Part Number						
Series	891-037 Plug Shorting Connector 891-038 Receptacle Shorting Connector					
Insert Arrangement/ Contact Type	Plugs (891-037): 9P, 15P, 21P, 25P, 31P, 37P, 41P, 51P, 65P, 69P, 85P Receptacles (891-038): 9S, 15S, 21S, 25S, 31S, 37S, 41S, 51S, 65S, 69S, 85S					
Shell Material and Finish	A1 - Aluminum Shell, Cadmium Plating T - Titanium Shell, Unplated A2 - Aluminum Shell, Electroless Nickel Plating S - Stainless Steel Shell, Passivated					
Shorting Combination	C = All contacts shorted together, isolated from the shell G = All contacts shorted together, and grounded to the shell					
Hardware	J - Hex Head Jackscrew T - Female Thread* * Female threads available for plug connectors only if shell material is titanium or stainless steel.					

Plug (Pin) Connector		Receptacle (Socket) Connector	
			
J - Jackscrew Option	T - Female Thread Option	J - Jackscrew Option	T - Female Thread Option

DETAIL A



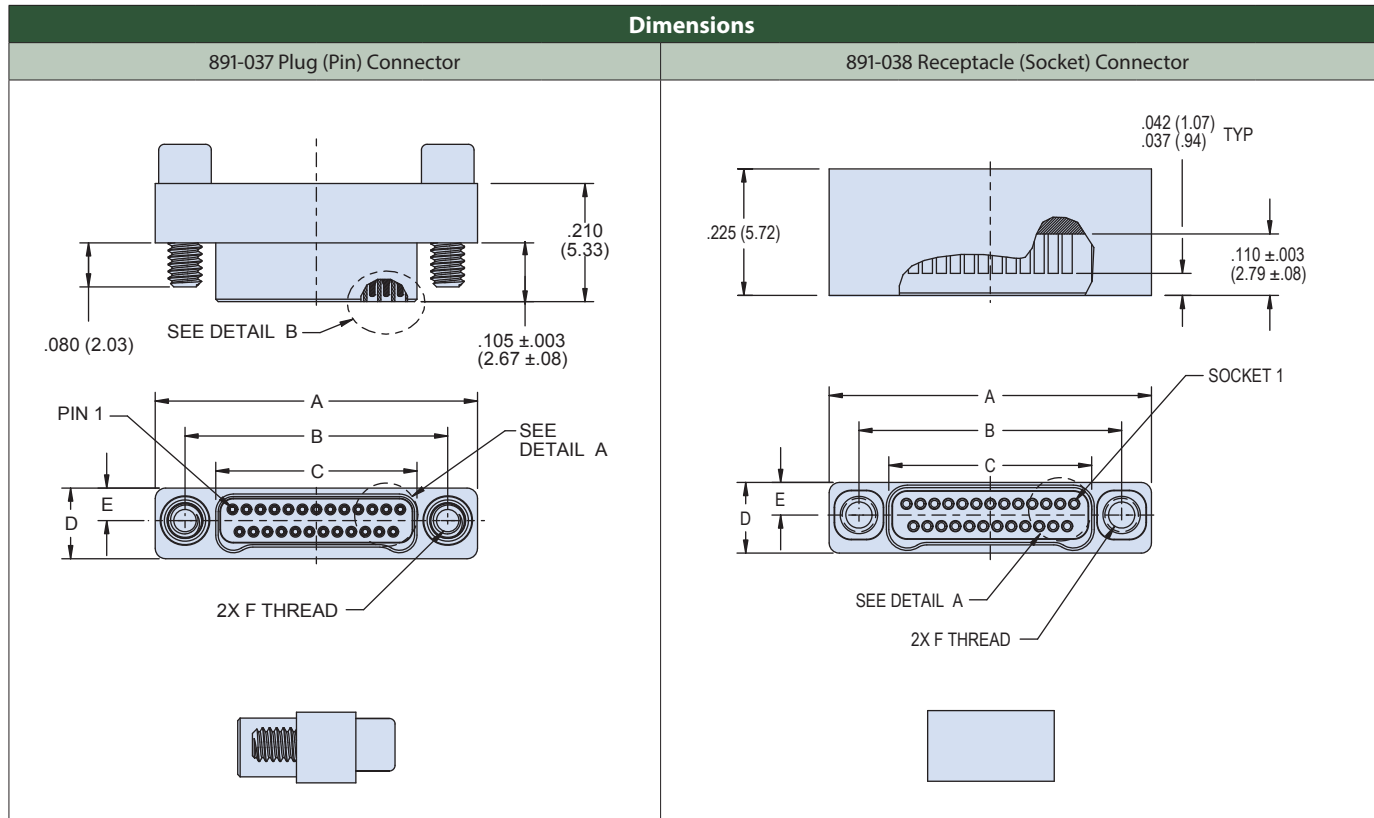
DETAIL B



NOTES

1. Inspect and Test IAW MIL-DTL-32139
2. Interface dimensions per MIL-DTL-32139/3 and MIL-DTL-32139/4

Plug and Receptacle Shorting Connector Dimensions



Layout	A		B BSC.		C BSC.		D		E BSC.		F Thread
	In. ±.005	mm. ±0.13	In.	mm.	In.	mm.	In. ±.005	mm ±0.13	In.	mm	
9P	.375	9.52	.270	6.86	.160	4.06	.125	3.18	.0575	1.46	#0-80 UNF
9S	.375	9.52	.270	6.86	.163	4.14	.125	3.18	.0575	1.46	#0-80 UNF
15P	.450	11.43	.345	8.76	.235	5.97	.125	3.18	.0575	1.46	#0-80 UNF
15S	.450	11.43	.345	8.76	.238	6.04	.125	3.18	.0575	1.46	#0-80 UNF
21P	.525	13.33	.420	10.67	.310	7.87	.125	3.18	.0575	1.46	#0-80 UNF
21S	.525	13.33	.420	10.67	.313	7.95	.125	3.18	.0575	1.46	#0-80 UNF
25P	.575	14.60	.470	11.94	.360	9.14	.125	3.18	.0575	1.46	#0-80 UNF
25S	.575	14.60	.470	11.94	.363	9.22	.125	3.18	.0575	1.46	#0-80 UNF
31P	.650	16.51	.545	13.84	.435	11.05	.125	3.18	.0575	1.46	#0-80 UNF
31S	.650	16.51	.545	13.84	.438	11.12	.125	3.18	.0575	1.46	#0-80 UNF
37P	.725	18.41	.620	15.75	.510	12.95	.125	3.18	.0575	1.46	#0-80 UNF
37S	.725	18.41	.620	15.75	.513	13.03	.125	3.18	.0575	1.46	#0-80 UNF
41P	.775	19.69	.670	17.02	.560	14.23	.125	3.18	.0575	1.46	#0-80 UNF
41S	.775	19.69	.670	17.02	.563	14.30	.125	3.18	.0575	1.46	#0-80 UNF
51P	.900	22.86	.795	20.19	.685	17.40	.125	3.18	.0575	1.46	#0-80 UNF
51S	.900	22.86	.795	20.19	.688	17.47	.125	3.18	.0575	1.46	#0-80 UNF
65P	1.075	27.30	.970	24.64	.860	21.84	.125	3.18	.0575	1.46	#0-80 UNF
65S	1.075	27.30	.970	24.64	.863	21.92	.125	3.18	.0575	1.46	#0-80 UNF
69P	1.125	28.57	1.020	25.91	.910	23.11	.125	3.18	.0575	1.46	#0-80 UNF
69S	1.125	28.57	1.020	25.91	.913	23.19	.125	3.18	.0575	1.46	#0-80 UNF
85P	1.377	34.97	1.246	31.65	1.110	28.19	.150	3.81	.0700	1.78	#2-56 UNC
85S	1.377	34.97	1.246	31.65	1.113	28.27	.150	3.81	.0700	1.78	#2-56 UNC

D