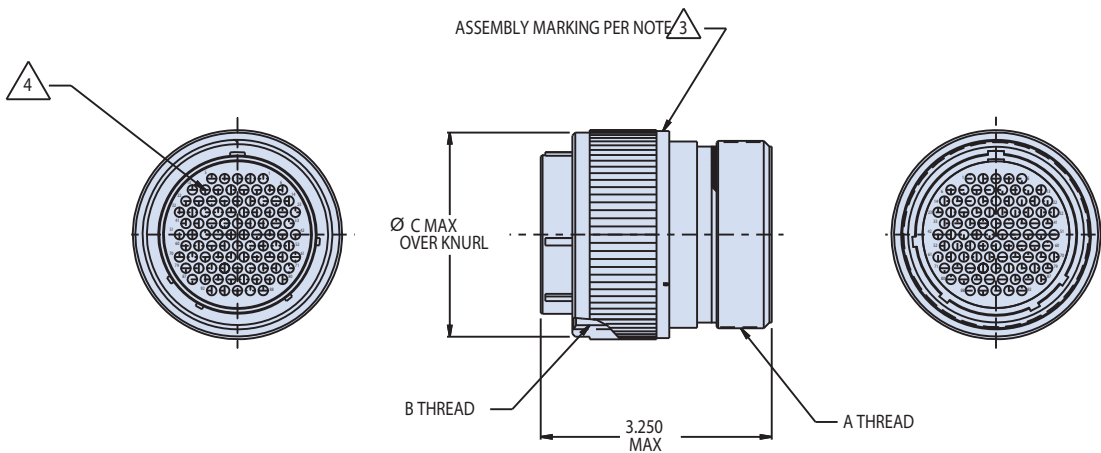
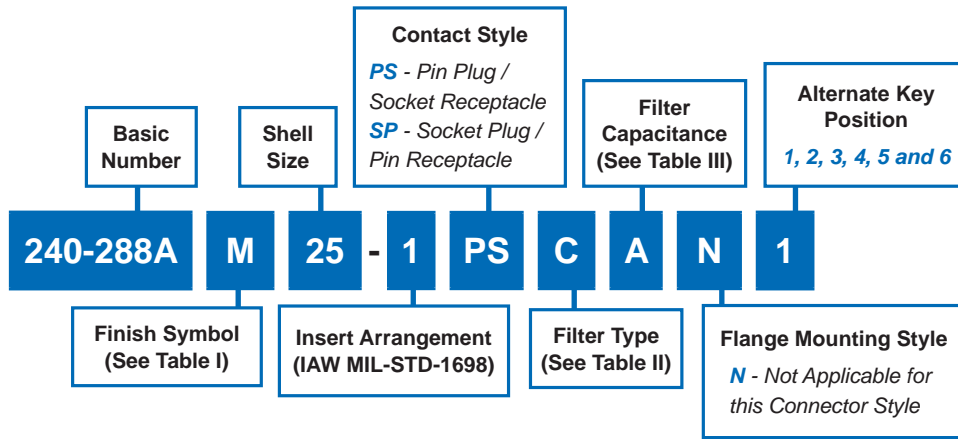




## 240-288A Sav-Con® Filtered Connector Saver for MIL-DTL-28840 Connectors



Military Shell Size	Shell Size	A Thread Class 2A	B Thread Class 2B	Ø C Max
A	11	.750-.1P-.2L-D.S.	.750-.1P-.2L-D.S.	1.028
B	13	.875-.1P-.2L-D.S.	.875-.1P-.2L-D.S.	1.141
C	15	1.062-.1P-.2L-D.S.	1.062-.1P-.2L-D.S.	1.263
D	17	1.125-.1P-.2L-D.S.	1.125-.1P-.2L-D.S.	1.387
E	19	1.312-.1P-.2L-D.S.	1.312-.1P-.2L-D.S.	1.513
F	23	1.500-.1P-.2L-D.S.	1.500-.1P-.2L-D.S.	1.703
G	25	1.625-.1P-.2L-D.S.	1.625-.1P-.2L-D.S.	1.825
H	29	1.812-.1P-.2L-D.S.	1.812-.1P-.2L-D.S.	2.143
J	33	2.000-.1P-.2L-D.S.	2.000-.1P-.2L-D.S.	2.329

Dimensions in Inches (millimeters) are subject to change without notice.

**240-288A**  
**Sav-Con® Filtered Connector Saver**  
**for MIL-DTL-28840 Connectors**



Symbol	Material	Finish Description
M	Aluminum	Electroless Nickel
MT	Aluminum	Nickel-PTFE, 1000 Hour Grey™
NF	Aluminum	Cadmium O.D. over Electroless Nickel
P	Stainless Steel	Electrodeposited Nickel

Filter Type	
P	PI-Section
C	C-Section

Class	PI-Section (pF)	C-Section (pF)
X	160,000 - 240,000	80,000 - 120,000
Y	80,000 - 120,000	40,000 - 60,000
Z	60,000 - 91,000	30,000 - 45,000
A	38,000 - 56,000	19,000 - 28,000
B	32,000 - 45,000	16,000 - 22,500
C	18,000 - 33,000	9,000 - 16,500
D	8,000 - 12,000	4,000 - 6,000
E	3,300 - 5,000	1,650 - 2,500
F	800 - 1,300	400 - 650
G	400 - 600	200 - 300



Dimensions in Inches (millimeters) are subject to change without notice.