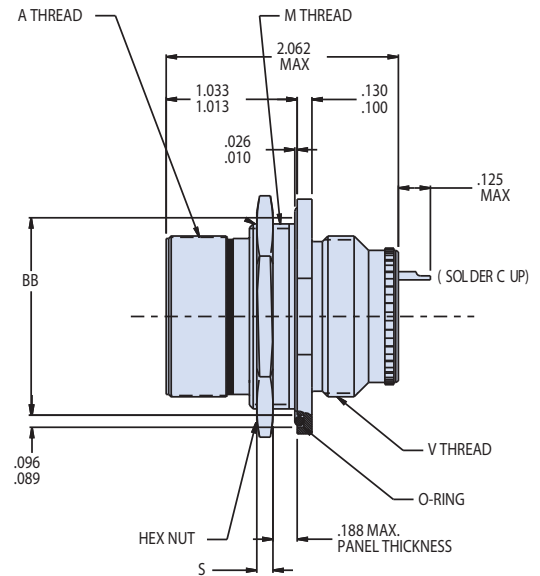
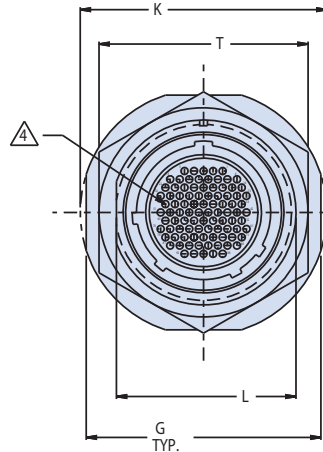
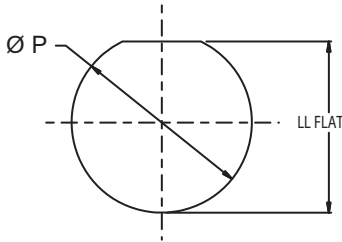
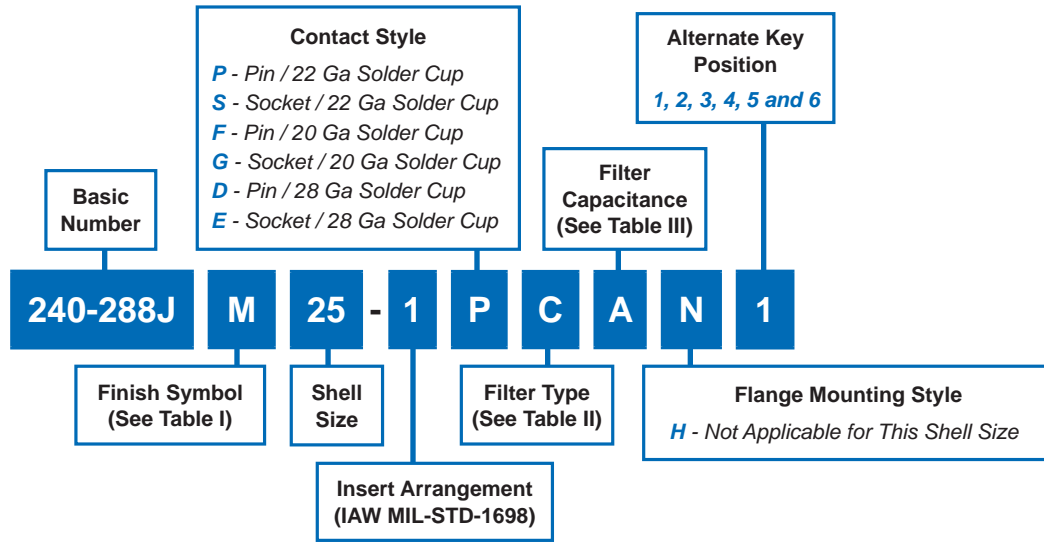




240-288J Filtered Jam Nut Mount Receptacle MIL-DTL-28840 Type



Filter Type	
P	PI-Section
C	C-Section

Class	PI-Section (pF)	C-Section (pF)
X	160,000 - 240,000	80,000 - 120,000
Y	80,000 - 120,000	40,000 - 60,000
Z	60,000 - 91,000	30,000 - 45,000
A	38,000 - 56,000	19,000 - 28,000
B	32,000 - 45,000	16,000 - 22,500
C	18,000 - 33,000	9,000 - 16,500
D	8,000 - 12,000	4,000 - 6,000
E	3,300 - 5,000	1,650 - 2,500
F	800 - 1,300	400 - 650
G	400 - 600	200 - 300

Symbol	Material	Finish Description
M	Aluminum	Electroless Nickel
MT	Aluminum	Nickel-PTFE, 1000 Hour Grey™
NF	Aluminum	Cadmium O.D. over Electroless Nickel
P	Stainless Steel	Electrodeposited Nickel

Dimensions in Inches (millimeters) are subject to change without notice.

240-288J
Filtered Jam Nut Mount Receptacle
MIL-DTL-28840 Type



Military Shell Size	Shell Size	A Thread Class 2A	G	K Dia.	L Across Flat	M Thread Class 2A
A	11	.750-1P-.2L-D.S.	1.274 1.254	1.368 1.348	.841 .832	.875-20 UNEF
B	13	.875-1P-.2L-D.S.	1.399 1.379	1.508 1.488	.966 .957	1.000-20 UNEF
C	15	1.062-1P-.2L-D.S.	1.587 1.567	1.681 1.661	1.153 1.144	1.187-18 UNEF
D	17	1.125-1P-.2L-D.S.	1.649 1.629	1.743 1.723	1.216 1.207	1.250-18 UNEF
E	19	1.312-1P-.2L-D.S.	1.837 1.817	1.931 1.911	1.403 1.394	1.437-18 UNEF
F	23	1.500-1P-.2L-D.S.	2.024 2.004	2.118 2.098	1.591 1.582	1.625-18 UNEF
G	25	1.625-1P-.2L-D.S.	2.149 2.129	2.243 2.223	1.716 1.707	1.750-18 UNS
H	29	1.812-1P-.2L-D.S.	2.337 2.317	2.435 2.415	1.903 1.894	1.937-16 UN
J	33	2.000-1P-.2L-D.S.	2.524 2.504	2.618 2.598	2.091 2.082	2.125-16 UN

Military Shell Size	Shell Size	V Thread Class 2A	BB Dia.	S Nominal	T ± .017	P Dia.	LL Flat
A	11	.750-20 UNEF	.979 .969	.125	1.062	.890 .880	.853 .843
B	13	.875-20 UNEF	1.104 1.094		1.188	1.015 1.005	.978 .968
C	15	1.000-20 UNEF	1.292 1.282		1.375	1.203 1.193	1.165 1.155
D	17	1.125-18 UNEF	1.354 1.344		1.438	1.265 1.255	1.228 1.218
E	19	1.250-18 UNEF	1.542 1.532		1.625	1.453 1.443	1.415 1.405
F	23	1.437-18 UNEF	1.729 1.719		1.812	1.640 1.630	1.603 1.593
G	25	1.562-18 UNEF	1.854 1.844		.189	2.000	1.765 1.755
H	29	1.875-16 UN	2.042 2.032	2.188		1.953 1.943	1.915 1.905
J	33	2.062-16 UNS	2.229 2.219	2.375		2.140	1.103
						2.130	2.093

Dimensions in Inches (millimeters) are subject to change without notice.

