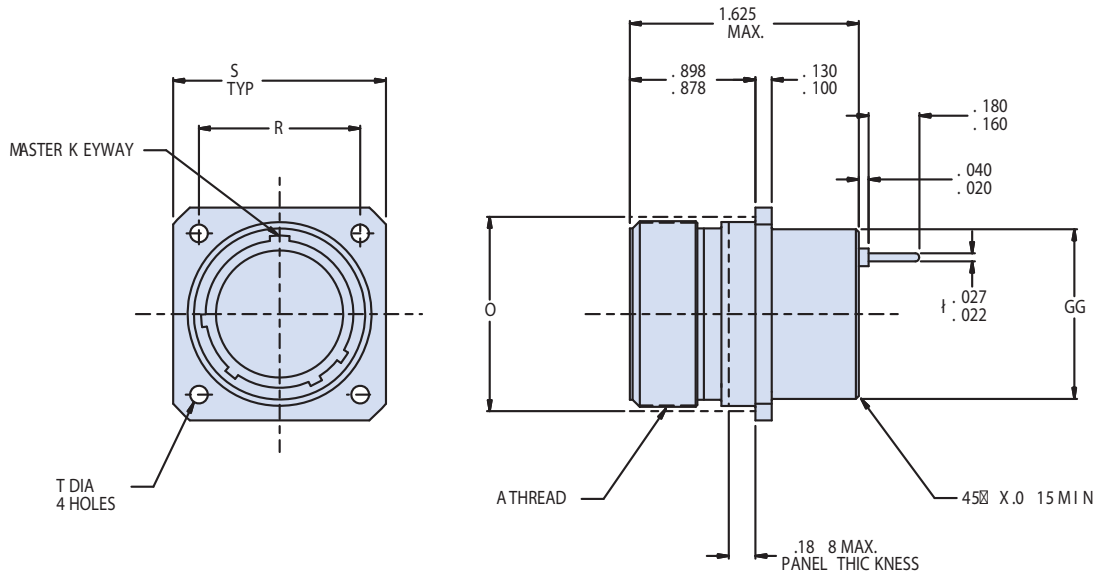
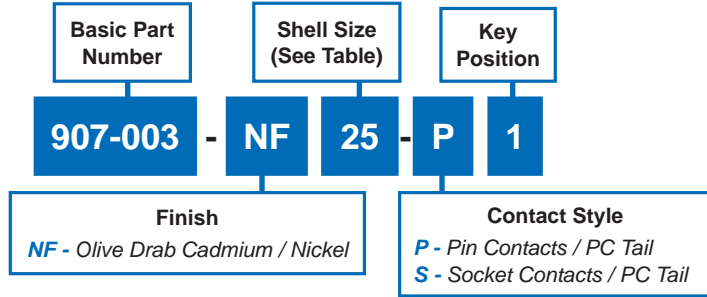


**907-003**  
**Glenair MIL-DTL-28840 Commercial Equivalent**  
**Box Mount Receptacle with PC Tail Contacts**



Symbol	Material	Finish Description
NF	Aluminum	Cadmium O.D. over Electroless Nickel
ZN		Zinc Nickel
MT		Nickel-PTFE, 1000 Hour Grey™
Z1	316 Type Stainless Steel	Passivate
ZU		Black Cadmium Olive Drab over Nickel

Military Shell Size	Shell Size	A Thread Class 2A	O Ref. Mtg. Max.	R True Position $\varnothing$ to $\varnothing$	S	T	GG Diameter Max.
A	11	.750-1P-2L-D.S.	.812	.750	1.043 1.003	.130 .115	.758
B	13	.875-1P-2L-D.S.	.937	.843	1.158 1.118		.880
C	15	1.062-1P-2L-D.S.	1.124	.968	1.278 1.238		1.005
D	17	1.125-1P-2L-D.S.	1.187	1.015	1.403 1.363		1.130
E	19	1.312-1P-2L-D.S.	1.374	1.140	1.528 1.488		1.255
F	23	1.500-1P-2L-D.S.	1.562	1.281	1.738 1.698		1.443
G	25	1.625-1P-2L-D.S.	1.687	1.392	1.838 1.798	.157 .142	1.567
H	29	1.812-1P-2L-D.S.	1.937	1.568	2.158 2.118		1.880
J	33	2.000-1P-2L-D.S.	2.124	1.734	2.348 2.308		.183 .168

Dimensions in Inches (millimeters) are subject to change without notice.