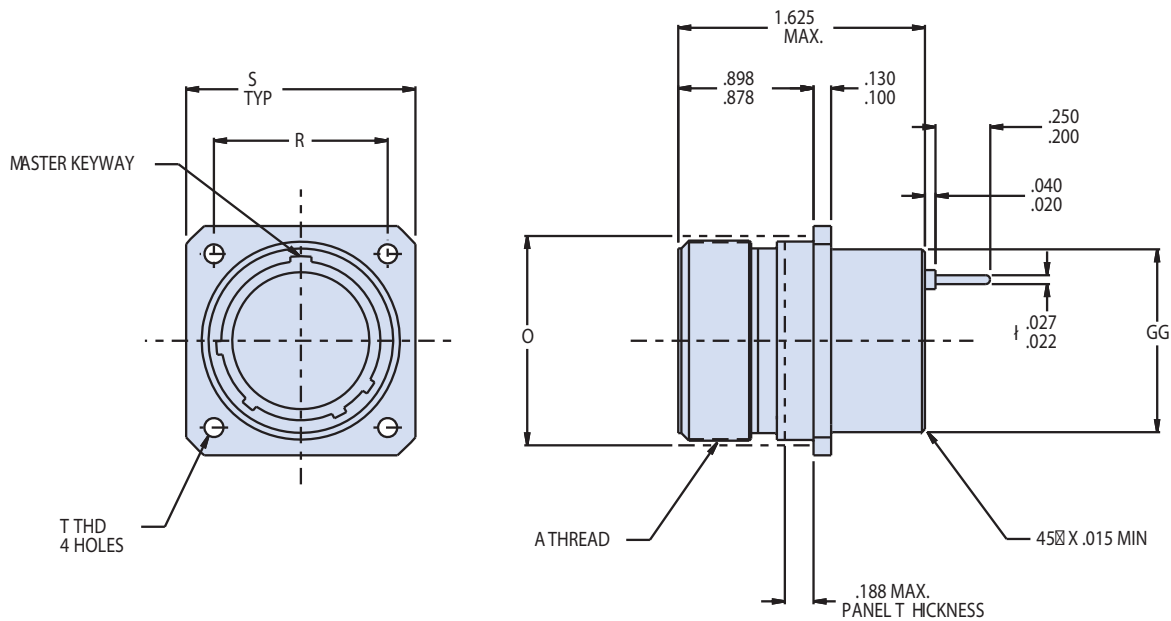
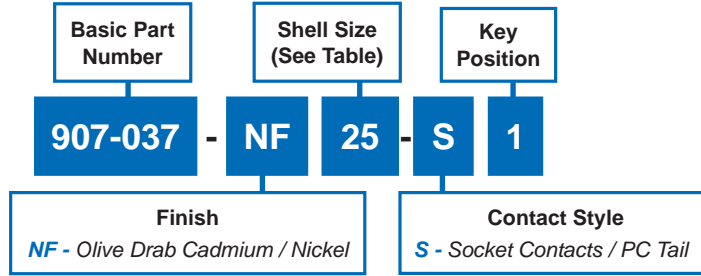




907-037
Glenair MIL-DTL-28840 Commercial Equivalent
Box Mount Receptacle with PC Tail Contacts



Dimensions in Inches (millimeters) are subject to change without notice.



907-037
Glenair MIL-DTL-28840 Commercial Equivalent
Box Mount Receptacle with PC Tail Contacts



Symbol	Material	Finish Description
NF	Aluminum	Cadmium O.D. over Electroless Nickel
ZN		Zinc Nickel
MT		Nickel-PTFE, 1000 Hour Grey™
Z1	316 Type Stainless Steel	Passivate
ZU		Black Cadmium Olive Drab over Nickel

Military Shell Size	Shell Size	A Thread Class 2A	O Ref. Mtg. Max.	R True Position \varnothing to \varnothing	S	T	GG Diameter Max.
A	11	.750-.1P-.2L-D.S.	.812	.750	1.043 1.003	#4-40	.758
B	13	.875-.1P-.2L-D.S.	.937	.843	1.158 1.118	#4-40	.880
C	15	1.062-.1P-.2L-D.S.	1.124	.968	1.278 1.238	#4-40	1.005
D	17	1.125-.1P-.2L-D.S.	1.187	1.015	1.403 1.363	#4-40	1.130
E	19	1.312-.1P-.2L-D.S.	1.374	1.140	1.528 1.488	#4-40	1.255
F	23	1.500-.1P-.2L-D.S.	1.562	1.281	1.738 1.698	#4-40	1.443
G	25	1.625-.1P-.2L-D.S.	1.687	1.392	1.838 1.798	#6-32	1.567
H	29	1.812-.1P-.2L-D.S.	1.937	1.568	2.158 2.118	#6-32	1.880
J	33	2.000-.1P-.2L-D.S.	2.124	1.734	2.348 2.308	#6-32	2.067



Dimensions in Inches (millimeters) are subject to change without notice.