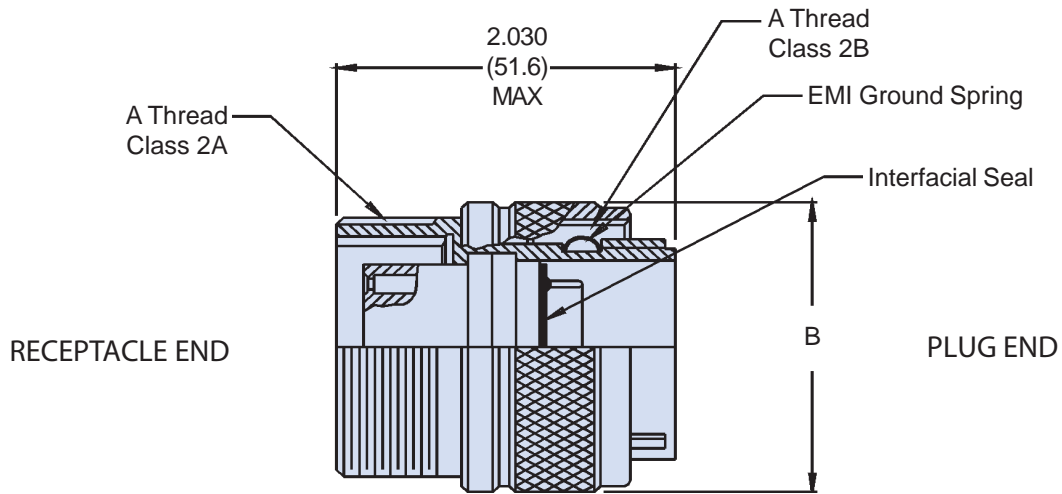
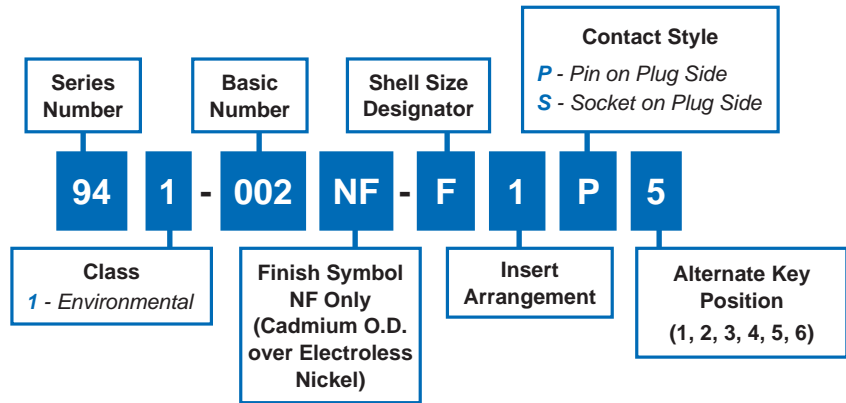


**941-002**  
**Sav-Con® Environmental Connector Saver**  
 for MIL-DTL-28840 Connectors



Insert Arrangement Dash Number	Shell Size	A Thread Class 2*	B Max	Contact Size 20 Quantity
A-1	11	.750-.1P-.2L-D.S.	1.028 (26.1)	7
B-1	13	.875-.1P-.2L-D.S.	1.141 (29.0)	12
C-1	15	1.062-.1P-.2L-D.S.	1.263 (32.1)	21
D-1	17	1.125-.1P-.2L-D.S.	1.387 (35.2)	31
E-1	19	1.312-.1P-.2L-D.S.	1.513 (38.4)	42
F-1	23	1.500-.1P-.2L-D.S.	1.703 (43.3)	64
G-1	25	1.625-.1P-.2L-D.S.	1.825 (46.4)	92
H-1	29	1.812-.1P-.2L-D.S.	2.143 (54.4)	121
J-1	33	2.000-.1P-.2L-D.S.	2.329 (59.2)	155

Dimensions in Inches (millimeters) are subject to change without notice.

