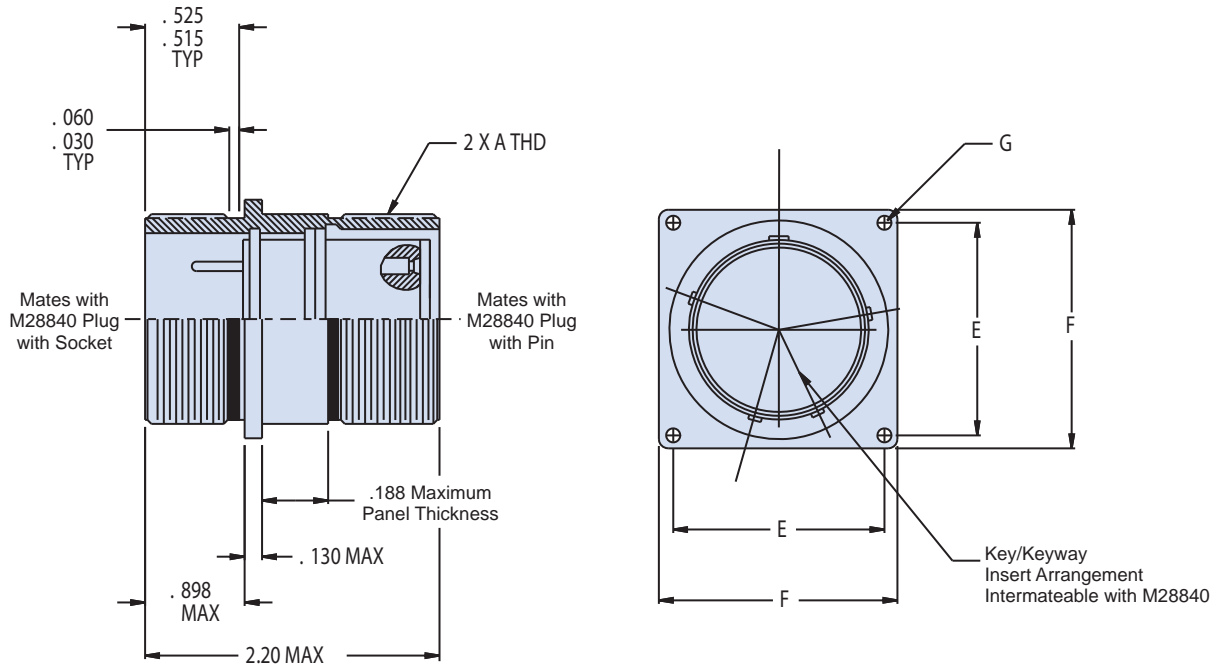
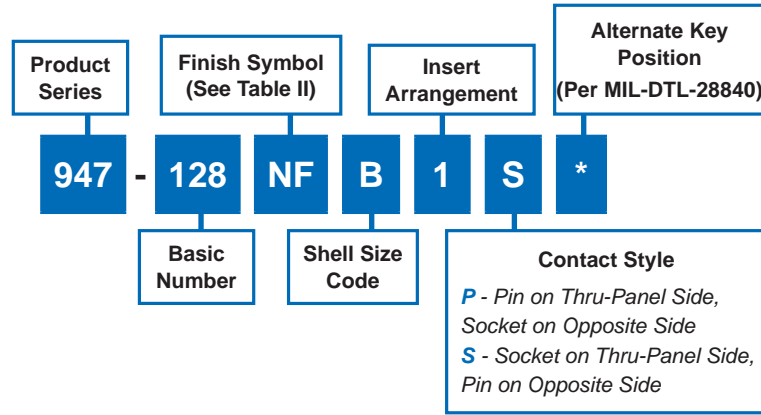




**947-128**  
**Bulkhead Feedthrough Receptacle**  
**Wall Mount**  
**MIL-DTL-28840 Type**



Dimensions in Inches (millimeters) are subject to change without notice.

**947-128**  
**Bulkhead Feedthrough Receptacle**  
**Wall Mount**  
**MIL-DTL-28840 Type**



Symbol	Material	Finish Description
NF	Aluminum	Cadmium O.D. over Electroless Nickel
ZN		Zinc Nickel
MT		Nickel-PTFE, 1000 Hour Grey™
Z1	316 Type Stainless Steel	Passivate
ZU		Black Cadmium Olive Drab over Nickel

Military Shell Size	Shell Size	Insert Arrangement Dash Number	A Thread Class 2A	E BSC	F Max.	G Dia. Max.
A	11	A-1	.750-.1P-.2L-D.S.	.750	1.039	.130
B	13	B-1	.875-.1P-.2L-D.S.	.843	1.154	
C	15	C-1	1.062-.1P-.2L-D.S.	.968	1.274	
D	17	D-1	1.125-.1P-.2L-D.S.	1.015	1.399	
E	19	E-1	1.312-.1P-.2L-D.S.	1.140	1.524	
F	23	F-1	1.500-.1P-.2L-D.S.	1.281	1.734	
G	25	G-1	1.625-.1P-.2L-D.S.	1.392	1.834	.157
H	29	H-1	1.812-.1P-.2L-D.S.	1.568	2.154	
J	33	J-1	2.000-.1P-.2L-D.S.	1.734	2.344	

Dimensions in Inches (millimeters) are subject to change without notice.

