

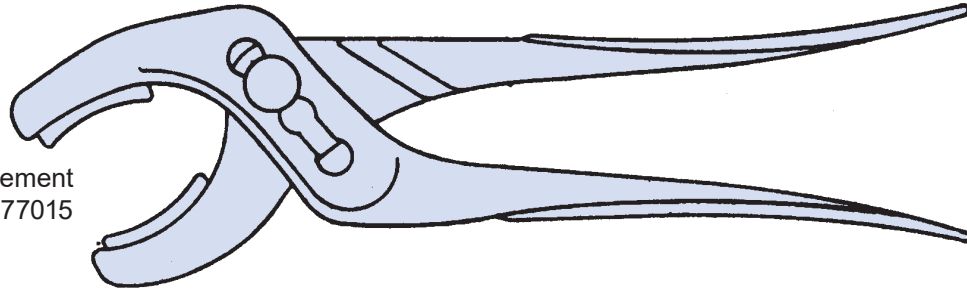
TG69 and TG82
Soft Jaw Pliers and Strap Wrench Assembly Tool
for Use with MIL-DTL-28840 Connectors



TG69

Basic
Number

Nylon Replacement
Inserts P/N G77015

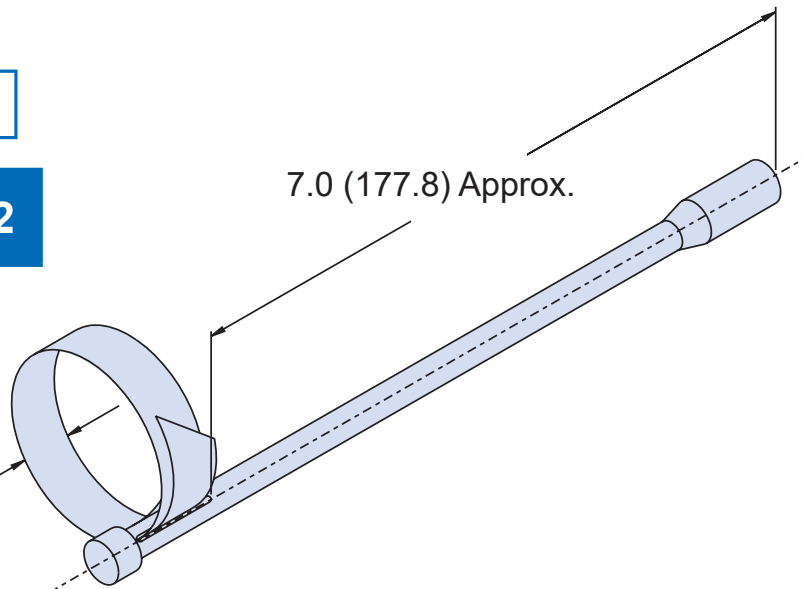


Basic
Number

TG82

7.0 (177.8) Approx.

7/16 (11.1)



F

Notes

2.50 (63.5) Max Capacity; Not recommended for composite coupling nuts (use 600-091 or 600-157)
1/4 Inch Drive
The replacement strap part number is G62748-11. Consult Factory for other lengths.

Dimensions in Inches (millimeters) are subject to change without notice.