



Mighty Mouse NG



CLASS 1E

# Ultraminiature Mighty Mouse NG

High-pressure small form-factor connectors that meet the latest, most stringent global Zone 1E qualification standards including those requiring long-term submersion



**H**igh density, small form-factor Mighty Mouse NG connectors are designed for use in new nuclear power plant containment zone (class 1E) equipment. Series 802 Mighty Mouse NG connectors meet the most severe nuclear industry test requirements, including long-term submersion, radiation, and 60-year thermal cycle testing. The series is available in ten sizes from 1 to 130 contacts.

These ultraminiature connectors (fully half the size and weight compared to standard nuclear-grade connectors) feature high-density inserts, 316 stainless steel shells and a piston O-ring for high-pressure, 3500 psi sealing. Gold-plated crimp contacts accept #12 – #30 AWG wire. Connectors are backfilled with epoxy potting compound to achieve an open face pressure rating 1000 PSI.

- 3500 psi pressure rated
- Ultraminiature #23 contacts
- Size #20, #20HD, #16, #12, #8 signal, power, fiber optic and shielded contacts
- Discrete connectors and turnkey cable assemblies

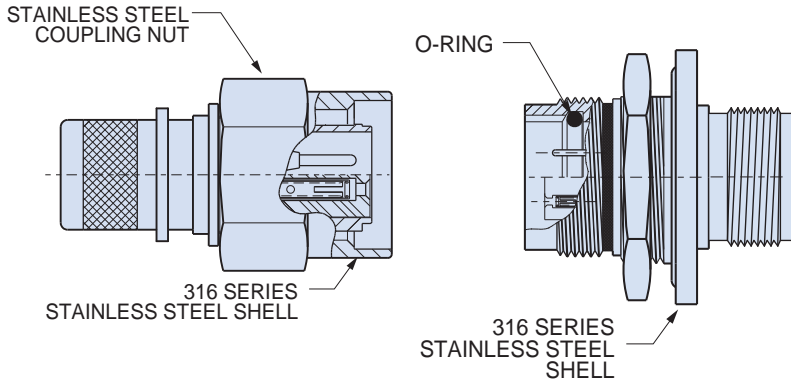


Custom high-pressure glass sealed and bulkhead feed-thru versions available, consult factory.

# Ultraminiature High-Pressure Interconnect for Stringent Containment Area (Class 1E) Applications

## Mighty Mouse NG specifications

### GLENAIR MIGHTY MOUSE NG DELIVERS HIGH-PRESSURE SEALING AND RUGGED DESIGN IN A MINIATURE PACKAGE



**Mighty Mouse NG Plug**

**Mighty Mouse NG Receptacle**

**Stainless Steel**

Available in ten sizes from 1 to 130 contacts, Series 802 connectors feature 316 stainless steel shells.

**3500 psi**

These connectors withstand up to 3500 PSI hydrostatic pressure in a mated condition. Potted versions withstand 1000 PSI open face pressure.

### MIGHTY MOUSE NG SPECIFICATIONS AND PLUG KEY POSITIONS

**Plug Key Positions**

Key Position	Key Rotation	
	A°	B°
Normal (A)	150°	210°
B	75°	210°
C	95°	230°
D	140°	275°
E	75°	275°
F	9°	210°

Performance Specifications	
Current Rating	#23-5 A, #20-7.5 A, #16-13 A, #12-23 A
Dielectric Withstanding Voltage	#23-750 VAC, #20HD-1000VAC, #16 and #12-1800 VAC
Insulation Resistance	5000 megohms minimum
Operating Temperature	-65° C. to +175° C.
Hydrostatic Pressure	3500 PSI mated, 1000 PSI open face (hermetic)
Shock	300 g.
Vibration	37 g.
Durability	2000 mating cycles

Material and Finish	
Shells, Jam Nuts, Coupling Nuts	316 stainless steel
Contacts	Copper alloy, 50 µInch gold plated. Socket hood: stainless steel, passivated. Hermetic pin contacts: Nickel-Iron alloy per ASTM-F-30, 50 µInch gold plated.
Contact Retention Clip	Beryllium copper alloy

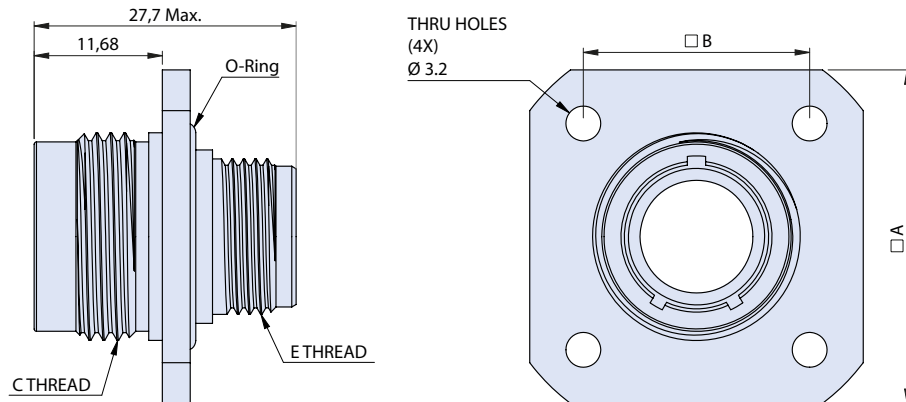


NUCLEAR-GRADE CONNECTORS

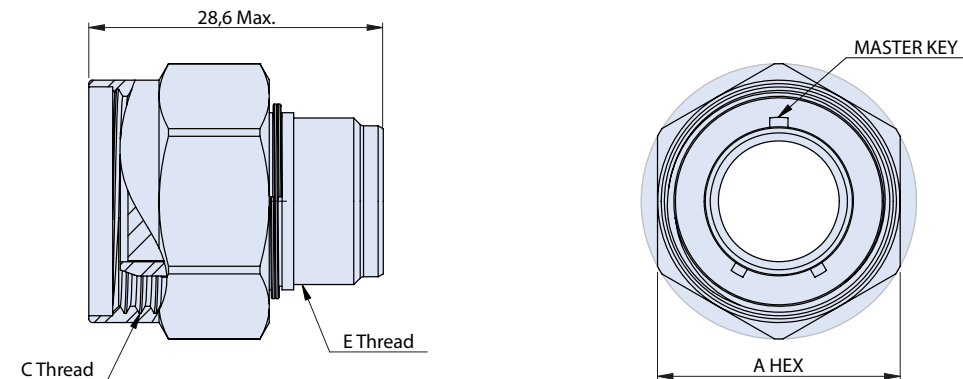
# Ultraminiature High-Pressure Interconnect for Stringent Containment Area (Class 1E) Applications

## Mighty Mouse NG connector configurations

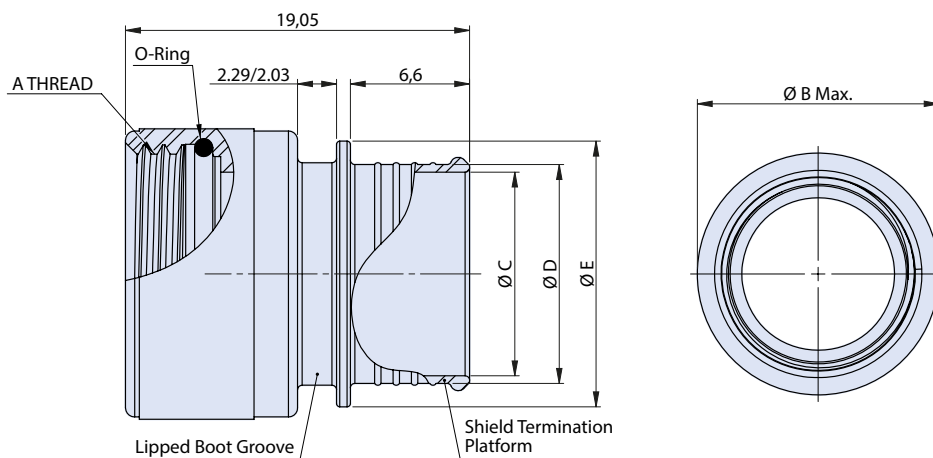
### SQUARE FLANGE RECEPTACLE WITH ACCESSORY THREAD



### PLUG WITH ACCESSORY THREAD



### ENVIRONMENTAL EMI/RFI SHIELD TERMINATION AND SHRINK BOOT ADAPTER



Complete dimensions and specifications provided in Glenair Nuclear-Grade Connectors catalog

# Ultraminiature High-Pressure Interconnect for Stringent Containment Area (Class 1E) Applications

## Mighty Mouse NG cable harness configurations

---

### CABLE HARNESS WITH MIGHTY MOUSE NG PLUG



---

### CABLE HARNESS WITH MIGHTY MOUSE NG PLUG AND CASTLE GRIP BACKSHELL



---

### CABLE HARNESS WITH MIGHTY MOUSE NG JAM NUT RECEPTACLE

