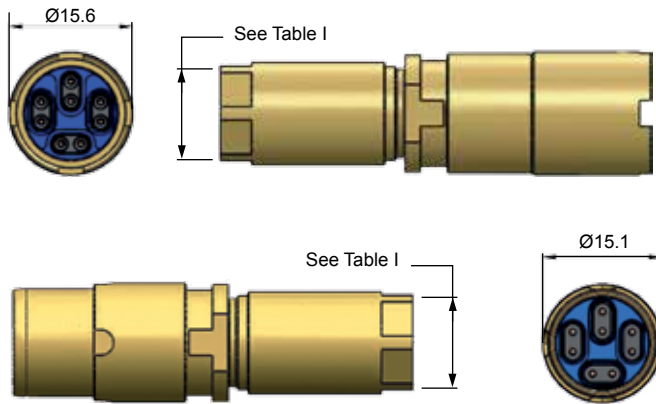


# The faster 4/8 pole industrial Ethernet interconnect system

## Ethernet CAT 7A contacts

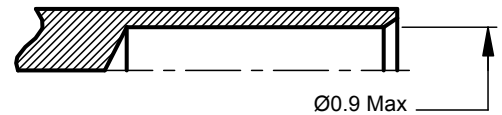


| How To Order              |   |
|---------------------------|---|
| <b>Sample Part Number</b> | <b>Q</b> 0 8 P -X B1 XXX -7A                            |
| <b>Product Series</b>     | Q = Octobyte contacts                                   |
| <b>Contact Size</b>       | 0 = Contact size 0                                      |
| <b>Number of Contacts</b> | 8 = 8 Poles   |
| <b>Contact Gender</b>     | P = Pin contacts (male)<br>S = Socket contacts (female) |
| <b>Cable Range</b>        | See Table I   |
| <b>Plating</b>            | B1 = Gold plating                                       |
| <b>Alternative Color</b>  | See Table II. Omit for standard (Blue)                  |
| <b>Category</b>           | -7A = Cat 7A  |



### CONTACT BUCKET DETAIL

Wire Size : AWG 22 - AWG 28



|  |   |
|--|---|
| <b>Data Transmission Ethernet Contacts for</b> | Ethernet CAT 6A   |
|  | Ethernet CAT 7  |
|  | Ethernet CAT 7A   |
| <b>Featuring</b>                               | Internal crimpable contacts   |
|  | Inspectable contact   |
|  | Integrated cable clamp  |
|  | Low mating force  |
| <b>Technical Characteristics</b>               | Current rating 5A max   |
|  | Voltage drop (at 5A and 25°C) 70 mV max   |
| <b>Materials and Finish</b>                    | Copper alloy and gold plating   |
| <b>Inserts</b>                                 | Thermoplastic resin - UL94V0<br>Aluminum alloy/anodized (alternative color available) |

| Table I        |                  |
|----------------|------------------|
| Wire Size Type | Cable O.D. Range |
| A              | 6-7              |
| B              | 7-8              |
| C              | 8-9              |
| D              | 9-9.6            |

| Table II             |        |
|----------------------|--------|
| Color Code           | Color  |
| Omitted for Standard |        |
| G14                  | Black  |
| G14GN                | Green  |
| G14GY                | Grey   |
| G14R                 | Red    |
| G14Y                 | Yellow |

### NOTES

#### Crimp Tools and Insertion/Removal Tools

- Crimper: 809-015
- Positioner: 809-005
- Standard Insertion/Removal Tool: 809-088 and M.104010