

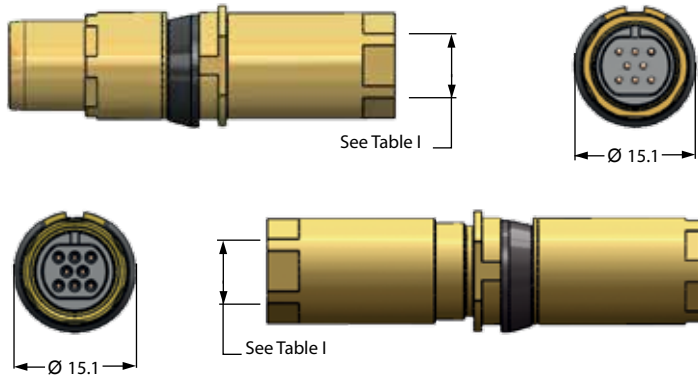
# The faster 4/8 pole industrial Ethernet interconnect system



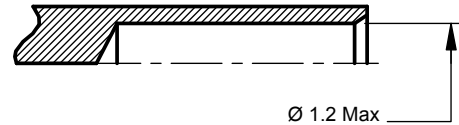
## Ethernet MVB - WTB contacts



How To Order							
Sample Part Number	Q	0	4	P	-X	B1	AD
Product Series	Q = Octobyte contacts						
Contact Size	0 = Contacts size 0						
Number of Contacts	2 = 2 Poles 4 = 4 Poles						
Contact Gender	P = Pin contacts (male) S = Socket contacts (female)						
Cable Range	See Table I						
Plating	B1 = Gold plating						
Contact Adapter	AD = Adapter for crimp 18 ÷ 22 AWG						



CONTACT BUCKET DETAIL  
WIRE SIZE : AWG 18 - AWG 22



Data Transmission Ethernet Contacts for	MVB - Multifunctional Vehicle Bus WTB - Wired Train Bus
Featuring	Internal crimpable contacts
	Inspectable contact
	Integrated cable clamp
	Low mating force
Technical Characteristics	Current rating 5A max Voltage drop (at 5A and 25°C) 70 mV max
Materials and Finish	Copper alloy and gold plating
Inserts	Thermoplastic resin - UL94V0 - EN 45545 - R22, HL1 - HL2

Table I	
Wire Size Type	Cable O.D. Range
A	6-7
B	7-8
C	8-9
D	9-9.6

### NOTES

*Crimp Tools and Insertion/Removal Tools*

- Crimper: 809-015 and 809-136
- Positioner: 809-005 and 809-138
- Standard Insertion/Removal Tool: M.104010