

# Copper-to-Fiber Media Converters Multiplexing Signal Aggregator

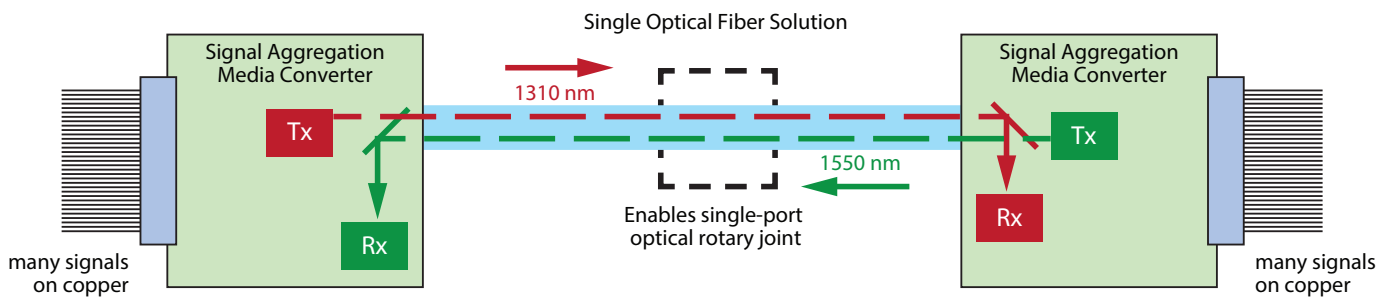
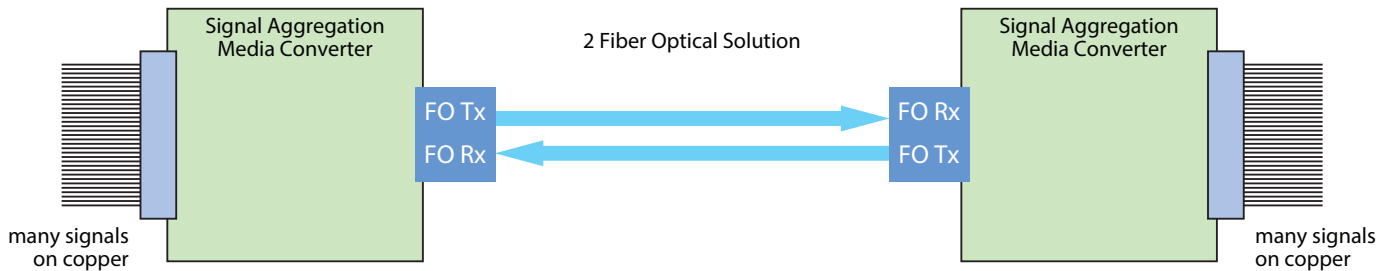
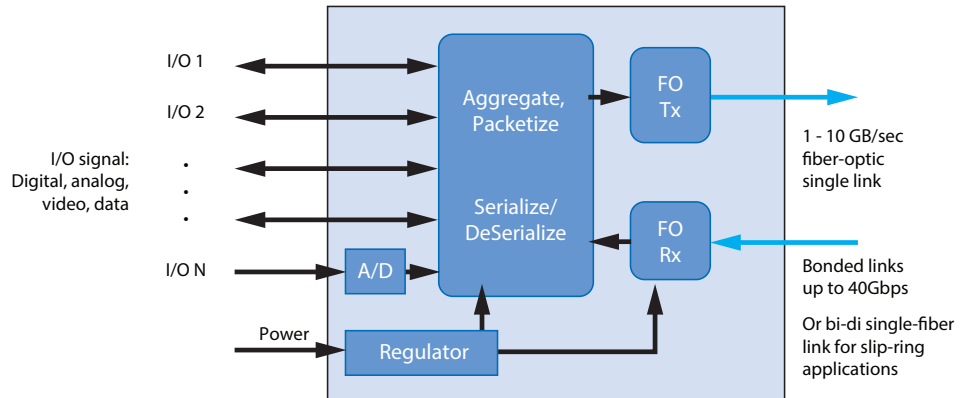


## FUNCTIONAL BLOCK DIAGRAMS

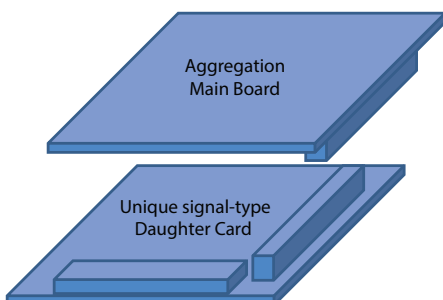
visit [glenair.com](http://glenair.com) for detailed product datasheets

### SIGNAL AGGREGATOR FUNCTIONAL DIAGRAMS

- Aggregates multiple electrical signals
- Serializes the signals
- Opto-electronic conversion



### MOTHERBOARD AND DAUGHTER CARD ARCHITECTURE CAN HANDLE MANY SIGNAL TYPES



#### SERIAL

- RS422/RS485
- RS232
- USB
- MIL-STD-1553
- CAN Bus
- ARINC 429
- SMBus
- I2C
- SPI
- Ethernet 10/100/1000

#### VIDEO

- DVI
- HDMI
- SMPTE SDI
- SMPTE HD-SDI
- SMPTE 3G-SDI
- ARINC 818
- VGA

#### ANALOG

- RF/IF Sampling
- Analog Sensor Data

Contact the factory for other signal formats and custom configurations