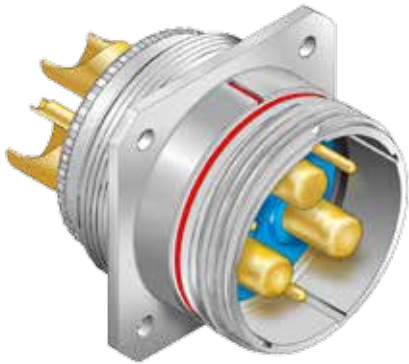


Series 970 PowerTrip™ Connectors and Accessories
Filter Receptacles
240-970W Square Flange Receptacle



240-970W FILTER RECEPTACLE, SQUARE FLANGE



Series 970 PowerTrip™ filter receptacles feature planar array ceramic capacitors. Solder cup contacts are factory-installed, epoxy sealed and are non-removable. Socket contacts have copper alloy louverband spring for multiple points of electrical contact. Coupling threads are triple-start ACME type. Contacts are gold plated. Fluorosilicone rubber face seal on pin connector. Aluminum or stainless steel shell.

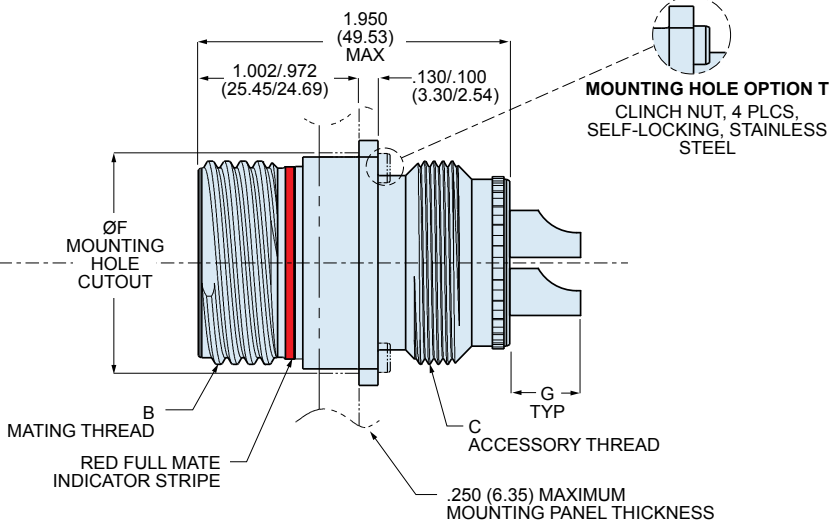
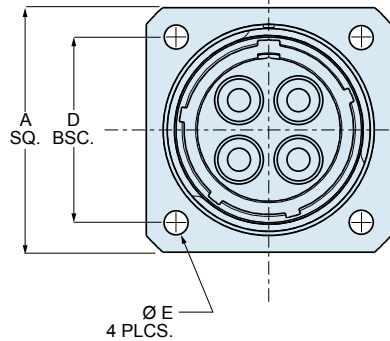
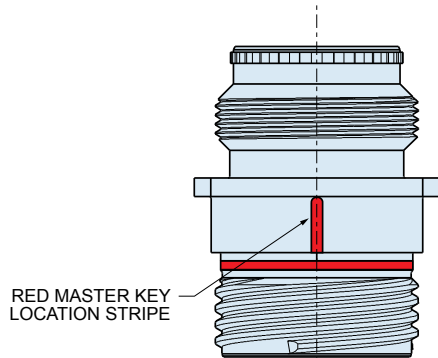
- Planar Array C Filter
- -55° C to +125° C
- 1,250 VDC DWV Rating
- Solder Cup Contacts

INSERTION LOSS			
Insertion Loss, dB minimum, 25°C			
Frequency	CX	CY	CZ
	80K-120K pF	40K-60K pF	30K-45K pF
1 MHz	22	16	13
10 MHz	41	36	33
100 MHz	56	53	52
500 -1000 MHz	60	57	57

HOW TO ORDER

SERIES	SHELL MATL AND FINISH	SHELL SIZE - INSERT ARRANGEMENT					CONTACT TYPE	FILTER TYPE & CAPACITANCE	MOUNTING HOLE	KEY POS.		
		Contact Arr.	Contact Size and Qty									
240-970W Filter Receptacle, Square Flange	ME Aluminum, Electroless Nickel Finish	18-2	#16	#12	#8	#4	#1/0	PS Pin Contact, Solder Cup	CX C Filter 80,000-120,000 pF	N Thru-Hole	1 Pos. 1	
			18-4		2	2						
	MT Aluminum, Nickel-PTFE Finish	20-3	20-4			3		SS Socket Contact, Solder Cup	CY C Filter 40,000-60,000 pF	T Clinch Nuts Installed in Mounting Holes for Back Panel Mounting.	2 Pos. 2	
				20-5		2	3					
				20-7	4		3					
				24-2								2
	NF Aluminum, Olive Drab Cadmium	24-3	24-5				3	CZ C Filter 30,000-45,500 pF	3 Pos. 3	4 Pos. 4		
				24-6		4	2					
				24-A6		3	3					
				28-4							4	
	ZR Aluminum, Black Zinc-Nickel Finish	28-9	32-2	5			4	4 Pos. 4	5 Pos. 5	6 Pos. 6		
				32-3							2	
				32-4							2	2
	ZMT Stainless Steel, Nickel-PTFE Finish	32-5	32-6				5	5 Pos. 5	6 Pos. 6			
				32-5						5		
				32-6		3					3	
	Z1 Stainless Steel, Passivated	36-4	40-5					6 Pos. 6	5 Pos. 5	6 Pos. 6		
				36-4							4	
				40-5							5	
	Sample Part Number											
240-970W	ME		40-5					PS	CY	N	1	

240-970W FILTER RECEPTACLE, SQUARE FLANGE



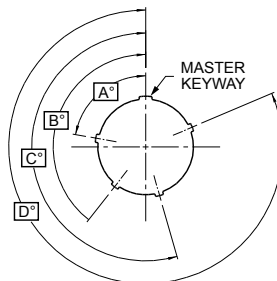
SOLDER CUP DIMENSIONS		
Contact Size	G Typ	
	In. ±.025	mm. ±0.64
16	.500	12.70
12	.500	12.70
8	.600	15.24
4	.800	20.32
1/0	.800	20.32

DIMENSIONS

Shell Size	A Sq.		B Mating Thread	C Accessory Thd	D Bsc		Ø E		E Clinch Nut Thd	Ø F	
	In.	mm.			In.	mm.	In.	mm.		In.	mm.
18	1.383	35.13	1.125-.1P-.3L-TS-2A	1.125-18 UNEF-2A	1.015	25.78	.146	3.71	6-32 UNC-2B	1.187	30.15
20	1.508	38.30	1.250-.1P-.3L-TS-2A	1.250-18 UNEF-2A	1.140	28.96	.146	3.71	6-32 UNC-2B	1.374	34.90
24	1.718	43.64	1.500-.1P-.3L-TS-2A	1.4375-18 UNEF-2A	1.281	32.54	.146	3.71	6-32 UNC-2B	1.562	39.67
28	2.138	54.31	1.750-.1P-.3L-TS-2A	1.8125-16 UN-2A	1.568	39.83	.170	4.32	8-32 UNC-2B	1.874	47.60
32	2.328	59.13	2.000-.1P-.3L-TS-2A	2.0625-16 UNS-2A	1.734	44.04	.170	4.32	8-32 UNC-2B	2.062	52.37
36	2.578	65.48	2.250-.1P-.3L-TS-2A	2.250-16 UN-2A	1.984	50.39	.170	4.32	8-32 UNC-2B	2.302	58.47
40	2.828	71.83	2.500-.1P-.3L-TS-2A	2.500-16 UN-2A	2.234	56.74	.170	4.32	8-32 UNC-2B	2.562	65.07

MATERIALS AND FINISHES

Shells, Jam Nuts	Aluminum alloy or stainless steel
Contacts	High conductivity copper alloy, gold over nickel plating
Insulators	Thermoset epoxy
Interfacial Seal	Fluorosilicone
Clinch Nut	Stainless steel



KEY POSITIONS

Position	A°	B°	C°	D°
1	80	142	196	293
2	135	170	200	310
3	49	169	200	244
4	66	140	200	257
5	62	145	180	280
6	79	153	197	272