

SPRING ACTION

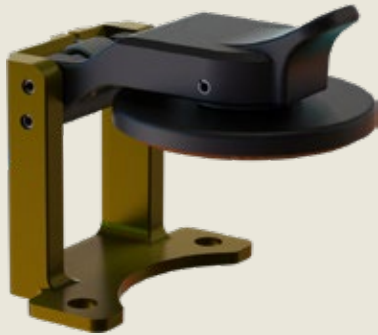
ProSeal™ environmental connector covers

for MIL-DTL-38999 Series II connectors

Pressure seal, dust and immersion resistant



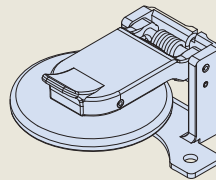
667-447 PROSEAL PROTECTIVE COVER FOR D38999 SERIES II / M3450 CONNECTORS



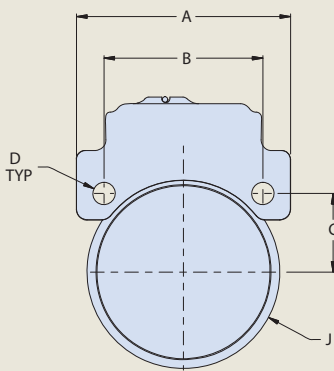
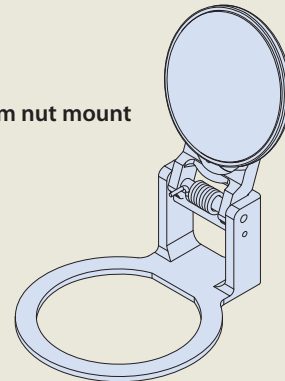
How to Order 667-447					
Sample Part Number	667-447	NF	18	T1	W
Series	ProSeal protective cover for D38999 Series II / M3450 connectors				
Material / Finish	See Table II				
Shell Size	See Table I				
Panel Thickness	See Table III				
Type of Mounting	J = Jam Nut Mount Receptacle W = Wall Mount Receptacle with slotted holes				

- Pressure seal, dust and immersion resistant
- Self-aligning
- Positive spring-action in closed position. Locks open at approximately 105° from receptacle face.

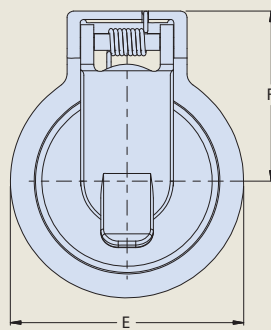
Wall mount



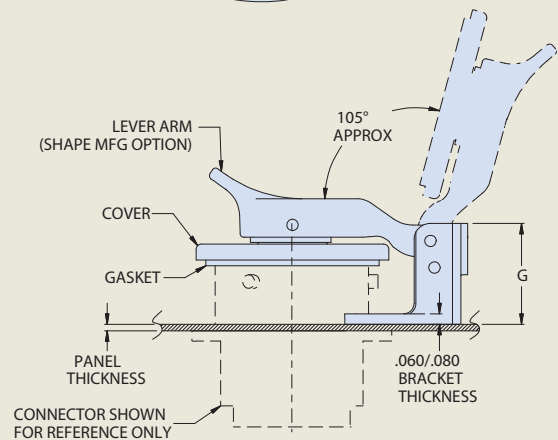
Jam nut mount



WALL MOUNT



JAM NUT



MATERIAL / FINISH

- Cover, Lever Arm, Gimbal -Thermoplastic / Black
- Bracket-see Table II
- Spring / Roll Pin - Stainless Steel / Passivate
- Sleeve - Delrin
- Gasket - Silicone (optional)



Table I: Dimensions														
Shell Size	A Dim max		B Dim		C Dim		D ±.008 (.20)		E ±.031 (.79)		F ±.031 (.79)		H ±.005 (.13)	
	in	mm	in	mm	in	mm	in	mm	in	mm	in	mm	in	mm
08	.967	24.56	0.719	18.26	0.360	9.14	0.128	3.25	1.031	26.19	.883	22.43	0.727	18.47
10	1.061	26.95	0.812	20.62	0.406	10.31	0.128	3.25	1.125	28.58	.931	23.65	0.853	21.67
12	1.156	29.36	0.906	23.01	0.453	11.51	0.128	3.25	1.375	34.93	1.055	26.80	1.003	25.48
14	1.250	31.75	0.969	24.61	0.485	12.32	0.128	3.25	1.560	39.62	1.148	29.16	1.128	28.65
16	1.341	33.89	1.062	26.97	0.531	13.49	0.128	3.25	1.625	41.28	1.181	30.00	1.253	31.83
18	1.477	37.52	1.156	29.36	0.578	14.68	0.128	3.25	1.750	44.45	1.243	31.57	1.360	34.54
20	1.593	40.46	1.250	31.75	0.625	15.88	0.128	3.25	2.000	50.80	1.507	38.28	1.485	37.72
22	1.719	43.66	1.375	34.93	0.688	17.48	0.154	3.91	2.150	54.61	1.584	40.23	1.610	40.89
24	1.841	46.76	1.500	38.10	0.750	19.05	0.154	3.91	2.218	56.34	1.617	41.07	1.735	44.07

Table II: Material and Finish		
Sym	Material	Finish
MT	Aluminum	Nickel-PTFE
ZR		Zinc-Nickel, Black (Tri-Valent CR)
M		Electroless Nickel
NF		Cad Plate / Olive Drab over Electroless Nickel
C		Anodize / Black
UC		Zinc Cobalt / Black

Table III: Panel Thickness							
Dash No.	Panel Thickness* ±.030 (.76)		Shell Size	G ± .06			
	in	mm		Jam Nut Mount		Wall Mount	
				in	mm	in	mm
T0	.000	.00	08-18	N/A	N/A	.563	14.30
			20-24	N/A	N/A	.648	16.46
T1	.062	1.57	08-18	.619	15.72	.626	15.90
			20-24	.730	18.54	.711	18.06
T2	.125	3.18	08-18	N/A	N/A	.564	14.33
			20-24	N/A	N/A	.649	16.48

*Jam nut mount is not available with panel thickness T0

MIL-DTL-38999 Series II