

SERIES 151 MIL-DTL-55116 TYPE Jam Nut Audio Receptacle with PC tails

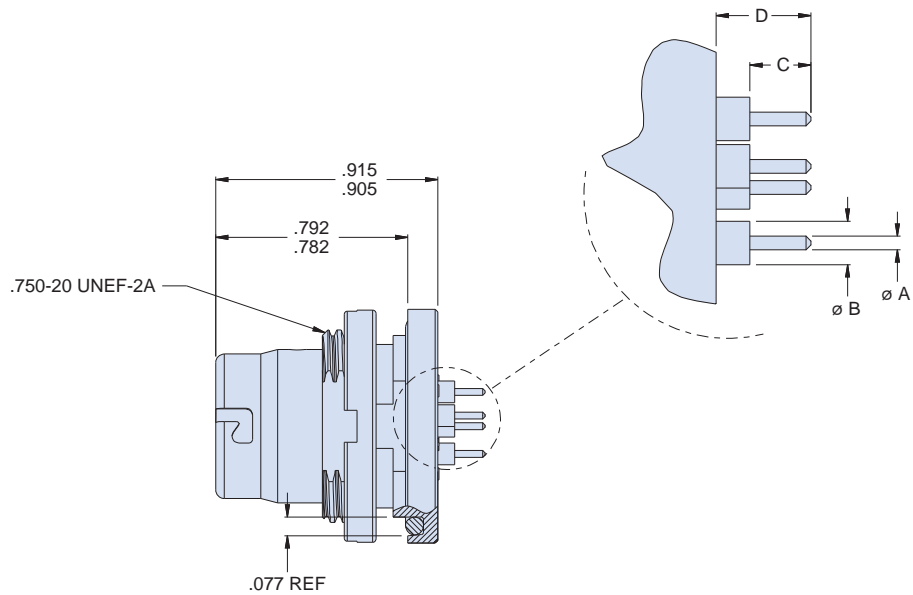
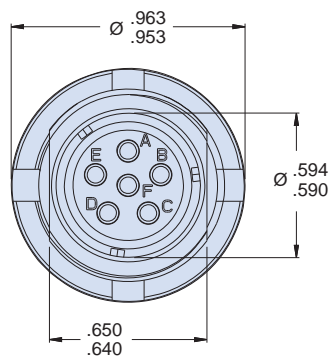
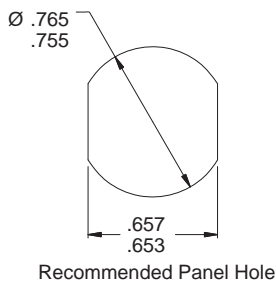


151-005



151-005 MIL-DTL-55116 type receptacles available in 5 or 6 pin configuration, equipped with PC tails. Shell and nut is stainless steel with passivated/light sand blasted finish IAW MIL-F-14072 type F300. Also available with Nickel-PTFE finish. Contacts are gold plated copper.

How To Order				
Sample Part Number	151-005	-2	-4	-ZMT
Product Series	MIL-DTL-55116 type jam nut audio receptacle with PC tail contacts			
Connector Style	-1 = U-183 type 5-pin -2 = U-183 type 6-pin			
PC tail type	see Table II			
Finish option	-ZMT = Nickel-PTFE finish. Leave blank for standard passivated finish			



600-196 Spanner Tool	
	Spanner tool with socket drive attachment for all Series 151 and 152 55116 receptacles

Table II: PC Tail Dimensions				
Dash No.	Ø A	Ø B	C	D
-1	.040	.089	.115	.169
-2	.040	—	—	.437
-3	.028	.089	.188	.590
-4	.028	.089	.125	.194
-5	.028	.089	.208	.257
-6	.040	—	—	.110
-7	.028	.089	.150	.437
-8	.030	—	—	.120
-9	.028	.089	.140	.390
-10	.040	—	—	.744
-11	.030			.564
-12	.040			.110
-13	.040			.900
-14	.040			.257