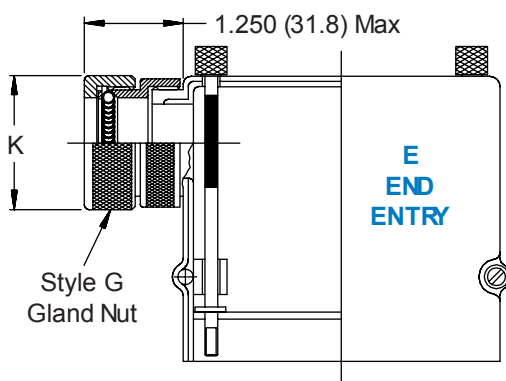
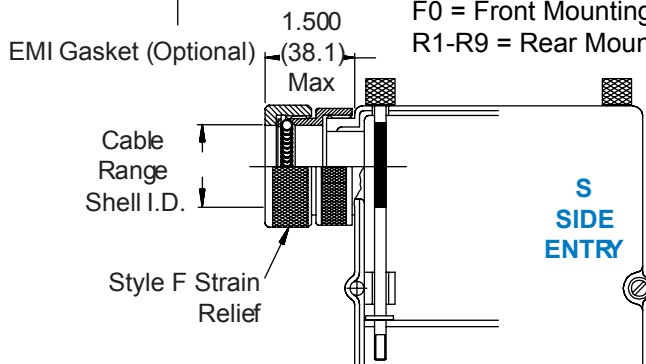
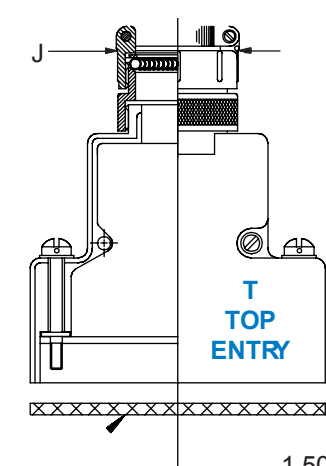




**550-008**  
**EMI/RFI D-Subminiature Split Backshell**  
**G-Spring Shield Termination**  
**with Strain-Relief**



**550 T 008 M 2 F0 B 1 F 02-04**

Basic Part No. ———— Inner Support Ring Dash No. (Part No. 469-001 - Table III) Omit for none (Ring Not Shown)

Cable Entry Style ———— Cable Entry Dash No. (Table II)

T = Top, S = Side, E = End ———— F = Strain Relief, G = Gland Nut

Basic Part Number ———— 0 = Without EMI Gasket, 1 = With EMI Gasket

Finish Symbol (Page 3) ———— Jackscrew Type (Page A-4)

Shell Size (Table I) ————

Receptacle Mounting (Right Page) ————

CC = Cable-to-Cable Mounting  
F0 = Front Mounting  
R1-R9 = Rear Mounting

**TABLE I: SHELL SIZE & ENTRY**

Shell Size	Com'l Shell Size Ref	Entry Style T (Ref) Shell I.D.	Entry Style E Shell I.D.
1	E/09	.250 (6.4)	.375 (9.5)
2	A/15	.375 (9.5)	.375 (9.5)
3	B/25	.475 (12.1)	.475 (12.1)
4	C/37	.475 (12.1)	.475 (12.1)
5	D/50	.575 (14.6)	.575 (14.6)
6*	F/104	1.000 (25.4)	n/a

\* Shell Size 6 Available in Top Entry Only.

1. Metric dimensions (mm) are indicated in parentheses.  
2. **DO NOT USE CONNECTORS WITH FLOAT MOUNTINGS.**

**TABLE II: BACKSHELL DIMENSIONS & CABLE**

Dash No.	J Dim Max	K Max	Cable Range	
			Min	Max
02	.968 (24.6)	.781 (19.8)	.125 (3.2)	.250 (6.4)
03	1.046 (26.6)	.906 (23.0)	.250 (6.4)	.375 (9.5)
04	1.156 (29.4)	1.031 (26.2)	.312 (7.9)	.500 (12.7)
05	1.218 (30.9)	1.156 (29.4)	.437 (11.1)	.625 (15.9)
06	1.343 (34.1)	1.281 (32.5)	.562 (14.3)	.750 (19.1)
07*	1.468 (37.3)	1.406 (35.7)	.687 (17.4)	.875 (22.2)
08*	1.593 (40.5)	1.531 (38.9)	.812 (20.6)	1.000 (25.4)

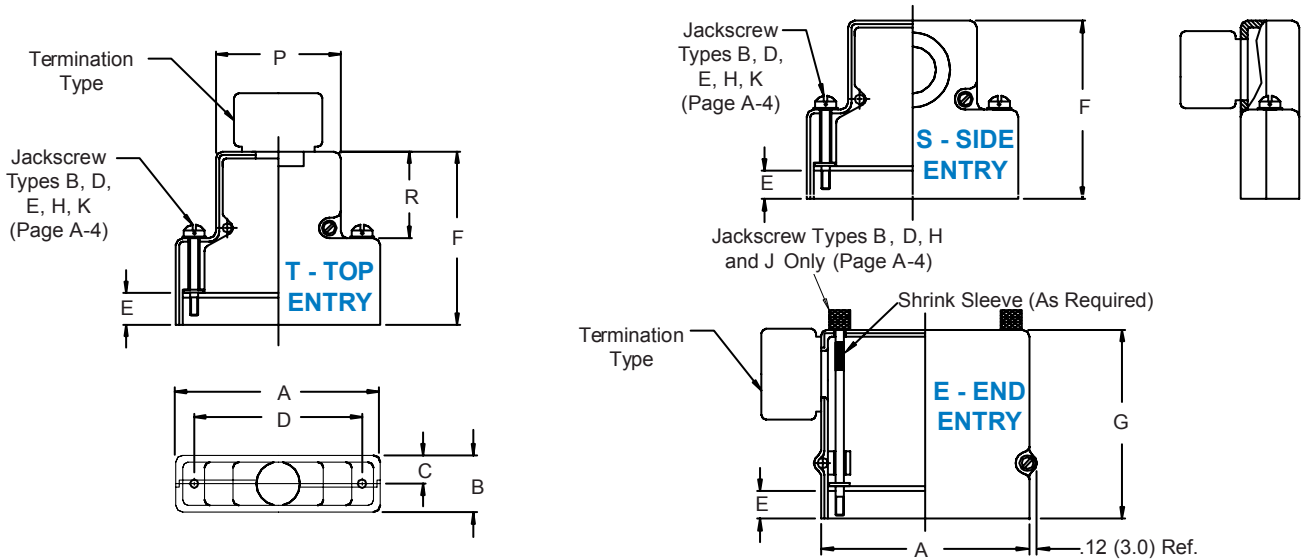
\* Available in Shell Size 6 Only

**TABLE III: SUPPORT RING**

Dash No.	I.D.		O.D.	
	±.010	(.3)	±.010	(.3)
01	.187	(4.7)	.227	(5.8)
02	.218	(5.5)	.258	(6.6)
03	.250	(6.4)	.290	(7.4)
04	.281	(7.1)	.321	(8.2)
05	.312	(7.9)	.352	(8.9)
06	.343	(8.7)	.383	(9.7)
07	.375	(9.5)	.415	(10.5)
08	.406	(10.3)	.446	(11.3)
09	.438	(11.1)	.478	(12.1)
10	.468	(11.9)	.508	(12.9)
11	.500	(12.7)	.540	(13.7)
12	.531	(13.5)	.571	(14.5)
13	.562	(14.3)	.602	(15.3)
14	.593	(15.1)	.633	(16.1)
15	.625	(15.9)	.665	(16.9)
16	.656	(16.7)	.696	(17.7)
17	.687	(17.4)	.727	(18.5)
18	.718	(18.2)	.758	(19.3)
19	.750	(19.1)	.790	(20.1)
20	.781	(19.8)	.821	(20.9)
21	.812	(20.6)	.852	(21.6)

Consult Factory For Larger Sizes

# D-Subminiature Split Backshells Standard Dimensions



## COMMON CONNECTOR/SHELL INTERFACE & BACKSHELL DIMENSIONS

Com'l Shell Size	Shell Ref	A Max	B Max	C Ref.	D ±.005 (.1)	P	R Ref
1	E/09	1.393 (35.4)	.624 (15.8)	.312 (7.9)	.984 (25.0)	.730 (18.5)	.719 (18.3)
2	A/15	1.706 (43.3)	.624 (15.8)	.312 (7.9)	1.312 (33.3)	1.050 (26.7)	.719 (18.3)
3	B/25	2.265 (57.5)	.624 (15.8)	.312 (7.9)	1.852 (47.0)	1.594 (40.5)	.938 (23.8)
4	C/37	2.900 (73.7)	.624 (15.8)	.312 (7.9)	2.500 (63.5)	2.240 (56.9)	.938 (23.8)
5	D/50	2.800 (71.1)	.750 (19.1)	.375 (9.5)	2.406 (61.1)	2.140 (54.4)	.938 (23.8)
6	F/104	2.900 (73.7)	.844 (21.4)	.422 (10.7)	2.500 (63.5)	2.240 (56.9)	1.094 (27.8)

## CABLE MOUNTING AND BACKSHELL DIMENSIONS

Dash No.	Panel Thickness	E	F ± .031 (0.79)			G ± .031 (0.79)	
			Sizes 1 & 2	Sizes 3 - 5	Size 6	Sizes 1 & 2	Sizes 3 - 5
CC	n/a	.174 (4.4)	1.451 (36.9)	1.671 (42.4)	1.820 (46.2)	1.583 (40.2)	1.831 (46.5)
F0	n/a	.343 (8.7)	1.625 (41.3)	1.844 (46.8)	2.000 (50.8)	1.750 (44.5)	2.000 (50.8)
R1	.031 (.8)	.247 (6.3)	1.525 (38.7)	1.745 (44.3)	1.890 (48.0)	1.656 (42.1)	1.904 (48.4)
R2	.047 (1.2)	.231 (5.9)	1.509 (38.3)	1.728 (43.9)	1.875 (47.6)	1.640 (41.7)	1.888 (48.0)
R3	.062 (1.6)	.216 (5.5)	1.500 (38.1)	1.720 (43.7)	1.860 (47.2)	1.625 (41.3)	1.873 (47.6)
R4	.093 (2.4)	.185 (4.7)	1.470 (37.3)	1.690 (42.9)	1.829 (46.5)	1.594 (40.5)	1.842 (46.8)
R5	.104 (2.6)	.174 (4.4)	1.451 (36.9)	1.671 (42.4)	1.820 (46.2)	1.583 (40.2)	1.831 (46.5)
R6	.125 (3.2)	.153 (3.9)	1.430 (36.3)	1.650 (41.9)	1.798 (45.7)	1.563 (39.7)	1.811 (46.0)
R7	.156 (4.0)	.125 (3.2)	1.400 (35.6)	1.620 (41.1)	1.767 (44.9)	1.531 (38.9)	1.781 (45.2)
R8	.135 (3.4)	.140 (3.6)	1.417 (36.0)	1.637 (41.6)	1.805 (45.8)	1.550 (39.4)	1.798 (45.7)
R9	.188 (4.8)	.094 (2.4)	1.368 (34.7)	1.590 (40.4)	1.740 (44.2)	1.500 (38.1)	1.750 (44.5)

Metric dimensions (mm) are indicated in parentheses.