



550-101 D-Subminiature Retro-Fit Non-EMI Strain-Relief Split Backshell

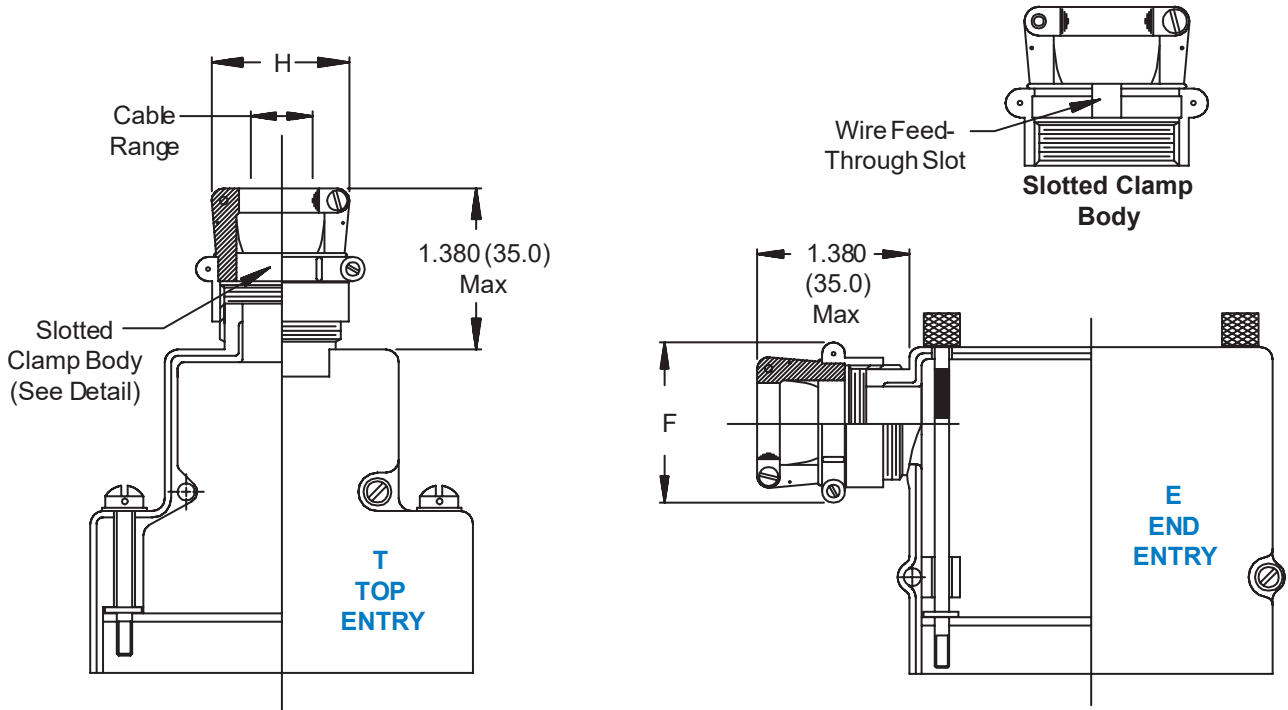
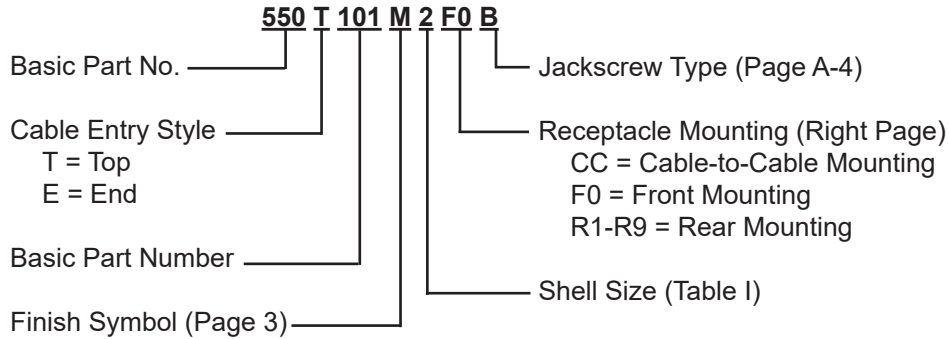


TABLE I: SHELL SIZE, CABLE ENTRY AND STYLE

Shell Size	Com'l Shell Size Ref	F Max	H Max	Entry Style T Cable Range		Entry Style E Cable Range	
				Min	Max	Min	Max
1	E/09	1.190 (30.2)	1.062 (27.0)	.125 (3.2)	.250 (6.4)	.250 (6.4)	.375 (9.5)
2	A/15	1.320 (33.5)	1.062 (27.0)	.250 (6.4)	.375 (9.5)	.250 (6.4)	.375 (9.5)
3	B/25	1.440 (36.6)	1.156 (29.4)	.312 (7.9)	.475 (12.1)	.312 (7.9)	.475 (12.1)
4	C/37	1.440 (36.6)	1.156 (29.4)	.312 (7.9)	.475 (12.1)	.312 (7.9)	.475 (12.1)
5	D/50	1.560 (39.6)	1.335 (33.9)	.437 (11.1)	.575 (14.6)	.437 (11.1)	.575 (14.6)

1. Metric dimensions (mm) are indicated in parentheses.
2. **DO NOT USE CONNECTORS WITH FLOAT MOUNTINGS.**

D-Subminiature Split Backshells Standard Dimensions



MIL-DTL-24308
D-Subminiature

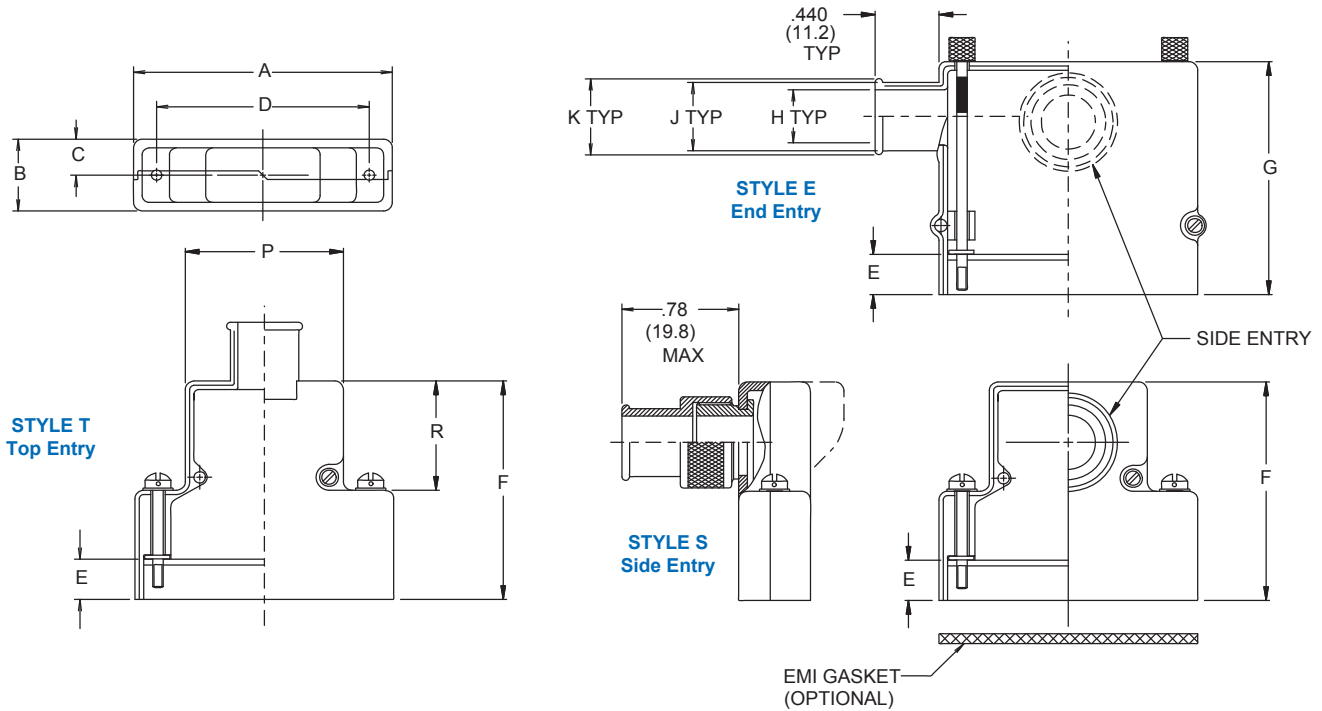


Table I: Common Connector/Shell Interface and Backshell Dimensions

Shell Size	Com'l Shell Size Ref.	A Max.		B Max.		C		D ±.005 (.1)		P		R Ref.	
		In.	mm	In.	mm	In.	mm	In.	mm	In.	mm	In.	mm
1	E/09	1.393	35.4	.624	15.8	.624	7.9	.984	25.0	.730	18.5	.719	18.3
2	A/15	1.706	43.3	.624	15.8	.624	7.9	1.312	33.3	1.050	26.7	.719	18.3
3	B/25	2.265	57.5	.624	15.8	.624	7.9	1.852	47.0	1.594	40.5	.938	23.8
4	C/37	2.900	73.7	.624	15.8	.624	7.9	2.500	63.5	2.240	56.9	.938	23.8
5	D/50	2.800	73.1	.750	19.1	.750	9.5	2.406	61.1	2.140	54.4	.938	23.8
6	F/104	2.900	73.7	.844	21.4	.844	10.7	2.500	63.5	2.240	56.9	1.094	27.8

Table III: Cable Mounting and Backshell Dimensions

Dash No.	Panel Thickness		E		F									
					Size 1 and 2		Size 3-5		Size 6		Size 1 and 2		Size 3-6	
	In.	mm	In.	mm	In.	mm	In.	mm	In.	mm	In.	mm	In.	mm
CC	N/A		.185	4.7	1.467	37.3	1.686	42.8	1.842	46.8	1.592	40.4	1.842	46.8
F0	N/A		.343	8.7	1.625	41.3	1.844	46.8	2.000	50.8	1.750	44.5	2.000	50.8
R1	.031	.8	.247	6.3	1.529	38.8	1.748	44.4	1.904	48.4	1.654	42.0	1.904	48.4
R2	.047	1.2	.231	5.9	1.513	38.4	1.732	44.0	1.888	48.0	1.638	41.6	1.888	48.0
R3	.062	1.6	.216	5.5	1.498	38.0	1.717	43.6	1.873	47.6	1.623	41.2	1.873	47.6
R4	.093	2.4	.185	4.7	1.467	37.3	1.686	42.8	1.842	46.8	1.592	40.4	1.842	46.8
R5	.104	2.6	.174	4.4	1.456	37.0	1.675	42.5	1.831	46.5	1.581	40.2	1.831	46.5
R6	.125	3.2	.153	3.9	1.435	36.4	1.654	42.0	1.810	46.0	1.560	39.6	1.810	46.0
R7	.156	4.0	.125	3.2	1.407	35.7	1.626	41.3	1.782	45.3	1.532	38.9	1.782	45.3
R8	.135	3.4	.140	3.6	1.422	36.1	1.641	41.7	1.797	45.7	1.547	39.3	1.797	45.7
R9	.188	4.8	.094	2.4	1.376	34.9	1.595	40.5	1.751	44.5	1.501	38.1	1.751	44.5

Metric dimensions (mm) are indicated in parentheses.