

557-107 D-Subminiature Light-Weight Solid Banding Backshell



MIL-DTL-24308
D-Subminiature

How To Order									
Sample Part Number	557-107			M	2	-03	C	B	S
Basic Part No.	D-Subminiature Lightweight Banding Backshell								
Finish Symbol	See Page 3								
Shell Size	See Table I								
Cable Entry Size	See Table II								
Jackscrew Options	A = Standard Hex Socket Head C = Standard Fillister Head E = Standard Extended Slotted Jackscrew M = Special 687-421M P = Special 687-421 Omit for none								
Band Option	B = Band Supplied (600-052) Omit for none								
Slots	S = with Slots Omit for none								

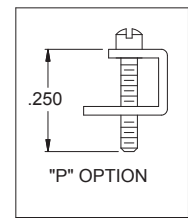
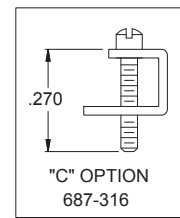
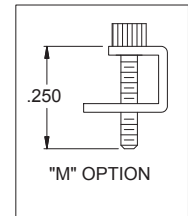
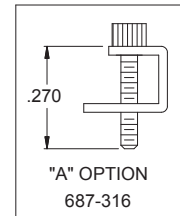
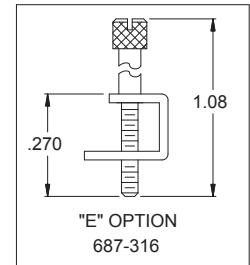
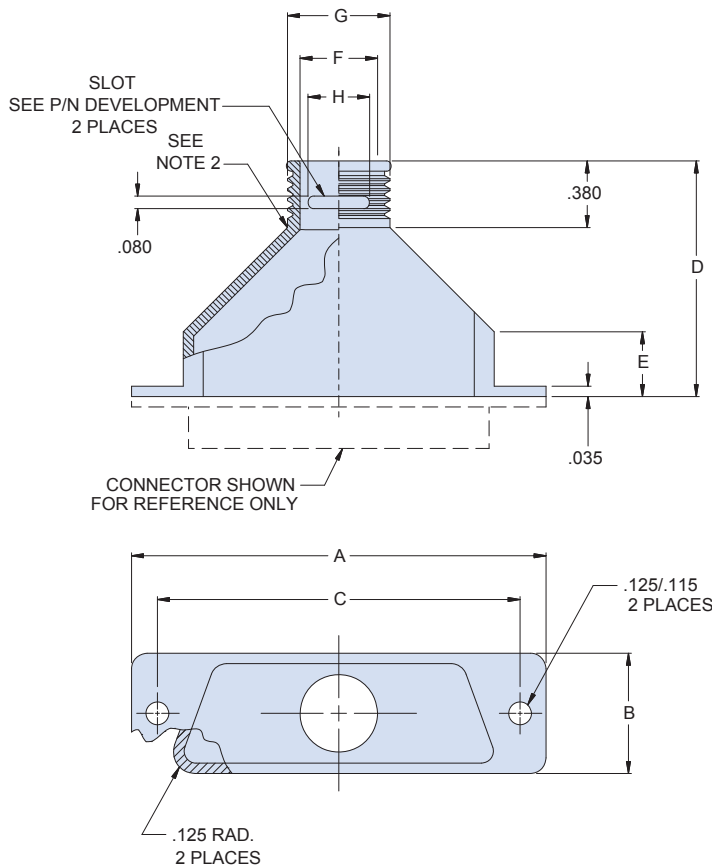


Table I: Shell Size and Connector Interface Dimensions						
Shell Size	A	B	C±.005	D	E	Max Entry Size
1	1.203 (30.6)	0.500 (12.7)	0.984 (25.0)	1.190 (30.2)	0.440 (11.2)	06
2	1.531 (38.9)	0.500 (12.7)	1.312 (33.3)	1.270 (32.3)	0.440 (11.2)	06
3	2.078 (52.8)	0.500 (12.7)	1.852 (47.0)	1.550 (39.4)	0.500 (12.7)	06
4	2.718 (69.0)	0.500 (12.7)	2.500 (63.5)	1.690 (42.9)	0.500 (12.7)	06
5	2.625 (66.7)	0.609 (15.5)	2.406 (61.1)	1.670 (42.4)	0.440 (11.2)	08
6	2.718 (69.0)	0.668 (17.0)	2.500 (63.5)	1.690 (42.9)	0.500 (12.7)	09

Table II: Cable Entry			
Entry Size	F	G	H
01	.125 (3.2)	.205 (5.2)	.09 (2.3)
02	.187 (4.7)	.267 (6.8)	.19 (4.8)
03	.265 (6.7)	.360 (9.1)	.22 (5.6)
04	.312 (7.9)	.392 (10.0)	.25 (6.4)
05	.390 (9.9)	.485 (12.3)	.28 (7.1)
06	.415 (10.5)	.510 (13.0)	.31 (7.9)
07	.500 (12.7)	.580 (14.7)	.31 (7.9)
08	.525 (13.3)	.620 (15.7)	.38 (9.7)
09	.595 (15.1)	.690 (17.5)	.38 (9.7)

- Metric dimensions (mm) are indicated in parentheses.
- End Fitting may be brazed on per MIL-B-7883B, Type V, Grade B

Material/Finish
Backshell - 6061-T6 Al Alloy
Retainer Clips, Jackscrews - CRES/Passivate

© 2014 Glenair, Inc.

CAGE Code 06324

Rev. 8-18-14

Printed in U.S.A.