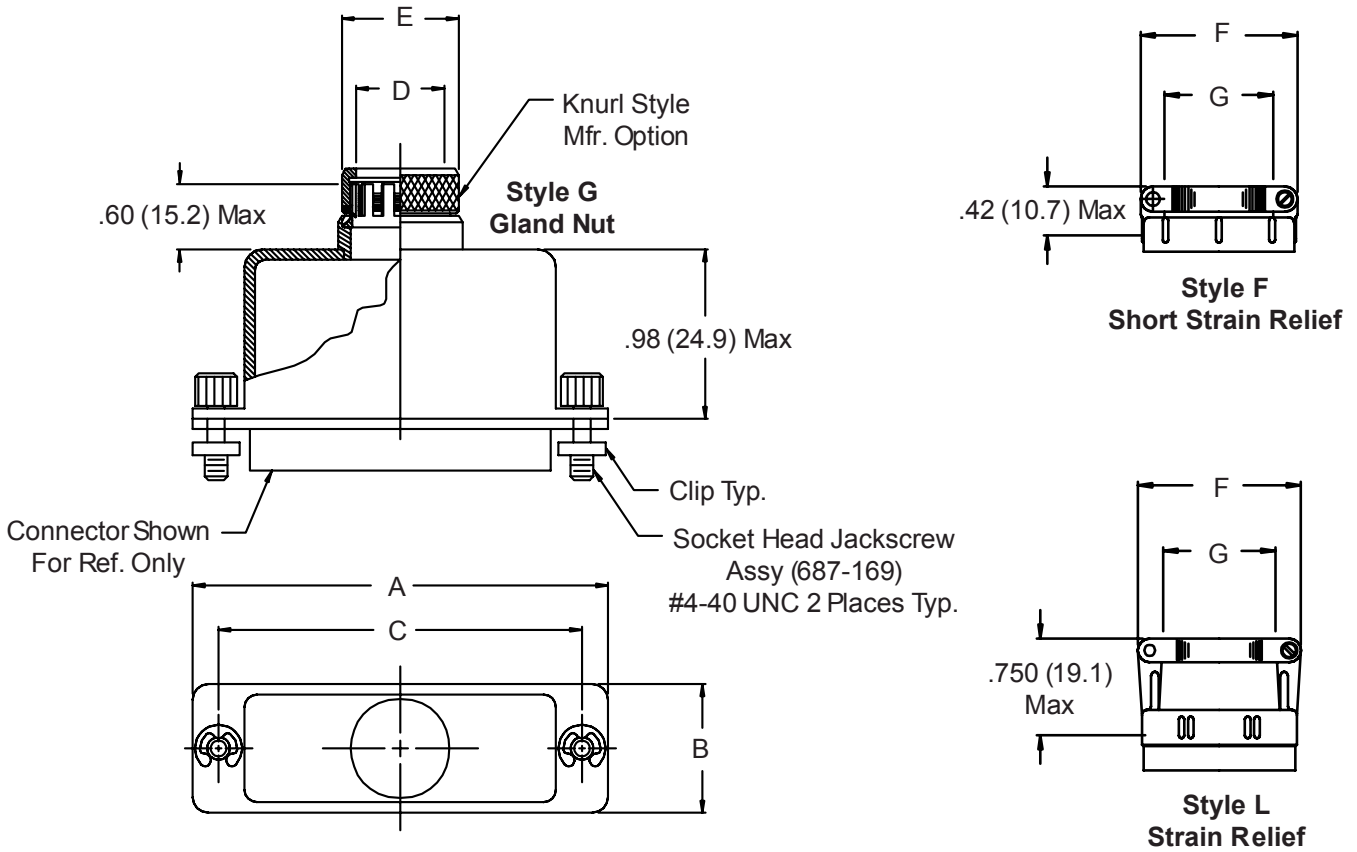


**557-130**  
**D-Subminiature TAG Ring®**  
**Solid Backshell**

**557-130 M 2 02 G**

Basic Part No. ————  
 Finish Symbol ————  
 (Page 3)  
 Shell Size (Table I) ————

F = Short Strain Relief  
 G = Gland Nut  
 L = Strain Relief  
 Cable Entry (Table II)



1. Metric dimensions (mm) are indicated in parentheses.
2. TAG Ring® nut is aluminum with gold iridite finish. TAG Ring® spring is beryllium copper with gold plating.

557-130  
**D-Subminiature TAG Ring®**  
 Solid Backshell



MIL-DTL-24308  
 D-Subminiature

**TABLE I: SHELL SIZE & CONNECTOR INTERFACE DIMENSIONS**

Shell Size	A Max	B Max	C ±.005 (.1)	Max Dash No. Table II
1	1.25 (31.8)	.53 (13.5)	.984 (25.0)	03
2	1.58 (40.1)	.53 (13.5)	1.312 (33.3)	03
3	2.13 (54.1)	.53 (13.5)	1.852 (47.0)	03
4	2.77 (70.4)	.53 (13.5)	2.500 (63.5)	03
5	2.68 (68.1)	.66 (16.8)	2.406 (61.1)	04
6	2.77 (70.4)	.73 (18.5)	2.500 (63.5)	05

**TABLE II: CABLE ENTRY**

Dash No.	D Entry	E Dia Max	F Max	G - Cable Range	
				Min	Max
02	.25 (6.4)	.55 (14.0)	.97 (24.6)	.125 (3.2)	.250 (6.4)
03	.37 (9.4)	.67 (17.0)	1.05 (26.7)	.250 (6.4)	.375 (9.5)
04	.50 (12.7)	.80 (20.3)	1.16 (29.5)	.250 (6.4)	.438 (11.1)
05	.62 (15.7)	.92 (23.4)	1.22 (31.0)	.375 (9.5)	.625 (15.9)

Metric dimensions (mm) are indicated in parentheses.