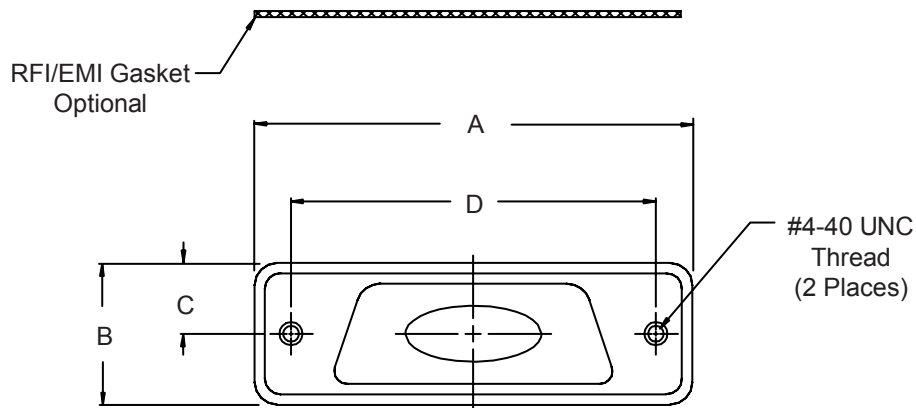
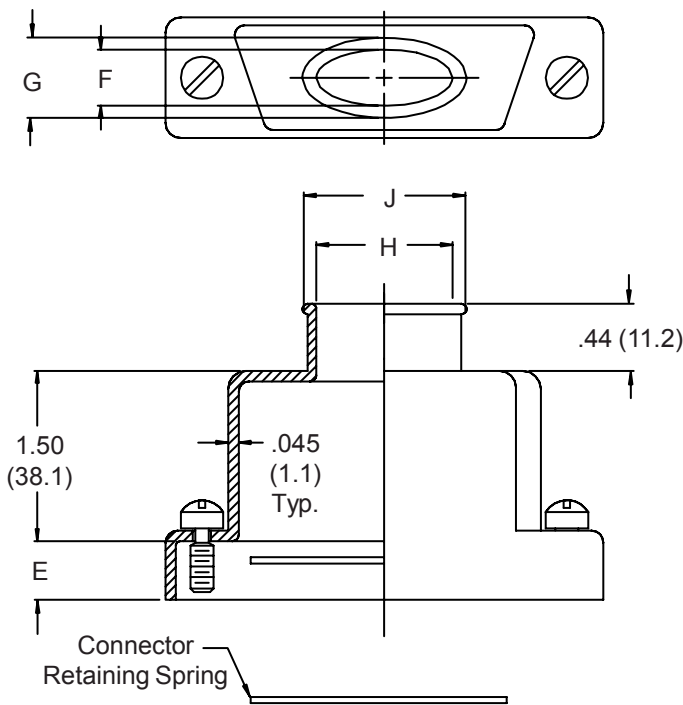


557-196 D-Subminiature Solid Banding Backshell with Elliptical Entry

557 T 196 M 2 R1 B 1-04 B

Product Series — B = Band Supplied (600-052), Omit for None
 Cable Entry Style — T = Top — Dash No. (Table III)
 Basic Part Number — 0 = Without EMI Gasket, 1 = With EMI Gasket
 Finish Symbol (Page 3) — Jackscrew Type (Page A-4)
 Shell Size (Table I) — Receptacle Mounting (Table II)
 F0 = Front Mounting
 R1-R7 = Rear Mounting



557-196
D-Subminiature Solid Banding Backshell
with Elliptical Entry



MIL-DTL-24308
D-Subminiature

TABLE I: SHELL SIZE & CONNECTOR INTERFACE DIMENSIONS

Shell Size	Com'l Shell Size Ref	Com'l			D	Available Dash No.
		A MAX	B MAX	C Ref.		
1	E/09	1.393 (35.4)	.624 (15.8)	.312 (7.9)	.984 (25.0)	01-03
2	A/15	1.706 (43.3)	.624 (15.8)	.312 (7.9)	1.312 (33.3)	01-05
3	B/25	2.265 (57.5)	.624 (15.8)	.312 (7.9)	1.852 (47.0)	01-10
4	C/37	2.900 (73.7)	.624 (15.8)	.312 (7.9)	2.500 (63.5)	01-12
5	D/50	2.800 (71.1)	.750 (19.1)	.375 (9.5)	2.406 (61.1)	01-11 & 13
6	F/104	2.900 (73.7)	.844 (21.4)	.422 (10.7)	2.500 (63.5)	01-14

TABLE II: RECEPTACLE MOUNTING

Dash No.	Panel Thickness	E
R1	.031 (.8)	.247 (6.3)
R2	.047 (1.2)	.231 (5.9)
R3	.062 (1.6)	.216 (5.5)
R4	.093 (2.4)	.185 (4.7)
R5	.104 (2.6)	.174 (4.4)
R6	.125 (3.2)	.153 (3.9)
R7	.156 (4.0)	.125 (3.2)
F0	N/A	.305 (7.7)

TABLE III: CABLE ENTRY

Dash No.	F	G	H	J
01	.250 (6.4)	.375 (9.5)	.250 (6.4)	.375 (9.5)
02	.250 (6.4)	.375 (9.5)	.375 (9.5)	.500 (12.7)
03	.312 (7.9)	.438 (11.1)	.500 (12.7)	.625 (15.9)
04	.312 (7.9)	.438 (11.1)	.625 (15.9)	.750 (19.1)
05	.312 (7.9)	.438 (11.1)	.750 (19.1)	.875 (22.2)
06	.312 (7.9)	.438 (11.1)	.875 (22.2)	1.000 (25.4)
07	.312 (7.9)	.438 (11.1)	1.000 (25.4)	1.125 (28.6)
08	.375 (9.5)	.500 (12.7)	1.125 (28.6)	1.250 (31.8)
09	.375 (9.5)	.500 (12.7)	1.250 (31.8)	1.375 (34.9)
10	.375 (9.5)	.500 (12.7)	1.375 (34.9)	1.500 (38.1)
11	.437 (11.1)	.562 (14.3)	1.452 (36.9)	1.577 (40.1)
12	.437 (11.1)	.562 (14.3)	2.100 (53.3)	2.225 (56.5)
13	.550 (14.0)	.675 (17.1)	2.000 (50.8)	2.125 (54.0)
14	.615 (15.6)	.740 (18.8)	2.100 (53.3)	2.225 (56.5)

1. Metric dimensions (mm) are indicated in parentheses.
2. **DO NOT USE CONNECTORS WITH FLOAT MOUNTINGS.**
3. For front mount, mating connector must be mounted to panel using M24308/26 female screwlocks. For rear mount, use Glenair GK134.