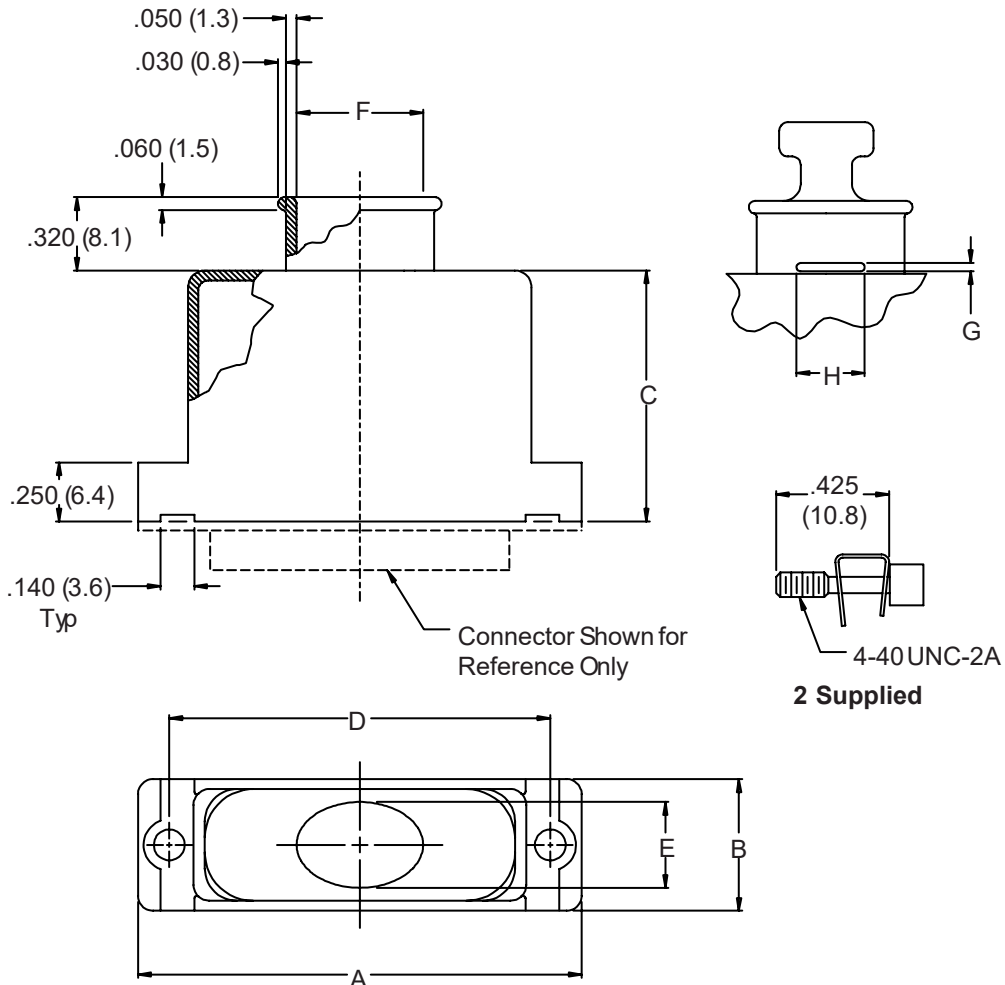
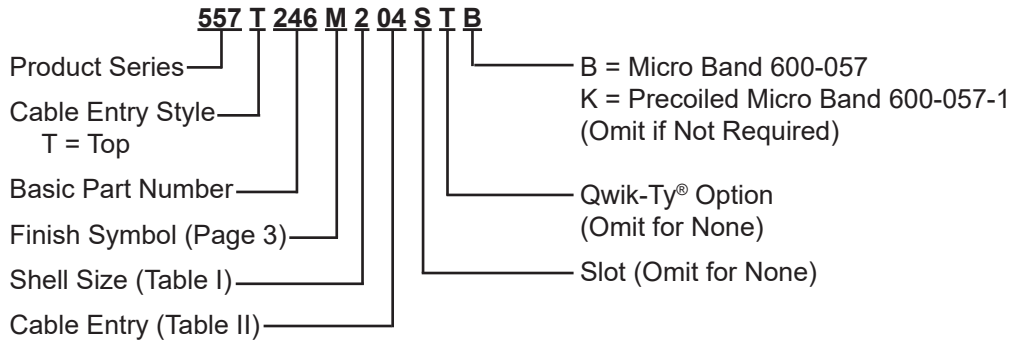




**557-246**  
**EMI/RFI Banding Backshell Assembly**  
for MIL-DTL-24308 Connectors  
with Optional Qwik-Ty®



Metric Dimensions (mm) are indicated in parentheses.

**557-246**  
**EMI/RFI Banding Backshell Assembly**  
 for MIL-DTL-24308 Connectors  
 with Optional Qwik-Ty®



MIL-DTL-24308  
 D-Subminiature

**TABLE I: SHELL SIZE & CONNECTOR INTERFACE DIMENSIONS**

Shell Size	A Max	B	C	D ±.005 (.1)	E Dim	Max Dash No
1	1.250 (31.8)	.530 (13.5)	1.500 (38.1)	.984 (25.0)	.375 (9.5)	05
2	1.580 (40.1)	.530 (13.5)	1.500 (38.1)	1.312 (33.3)	.375 (9.5)	08
3	2.130 (54.1)	.530 (13.5)	1.500 (38.1)	1.852 (47.0)	.375 (9.5)	12
4	2.770 (70.4)	.530 (13.5)	1.500 (38.1)	2.500 (63.5)	.375 (9.5)	16
5	2.680 (68.1)	.660 (16.8)	1.500 (38.1)	2.406 (61.1)	.484 (12.3)	16
6	2.770 (70.4)	.730 (18.5)	1.500 (38.1)	2.500 (63.5)	.554 (14.1)	16

**TABLE II: CABLE ENTRY**

Entry Size	F Dim	G Dim	H Dim
04	.500 (12.7)	.080 (2.0)	.190 (4.8)
05	.625 (15.9)	.080 (2.0)	.190 (4.8)
06	.750 (19.1)	.080 (2.0)	.220 (5.6)
07	.875 (22.2)	.080 (2.0)	.220 (5.6)
08	1.000 (25.4)	.080 (2.0)	.220 (5.6)
09	1.125 (28.6)	.080 (2.0)	.220 (5.6)
10	1.250 (31.8)	.080 (2.0)	.220 (5.6)
11	1.375 (34.9)	.080 (2.0)	.250 (6.4)
12	1.500 (38.1)	.080 (2.0)	.250 (6.4)
13	1.625 (41.3)	.080 (2.0)	.250 (6.4)
14	1.750 (44.5)	.080 (2.0)	.250 (6.4)
15	1.875 (47.6)	.080 (2.0)	.250 (6.4)
16	2.000 (50.8)	.080 (2.0)	.250 (6.4)

Metric dimensions (mm) are indicated in parentheses.