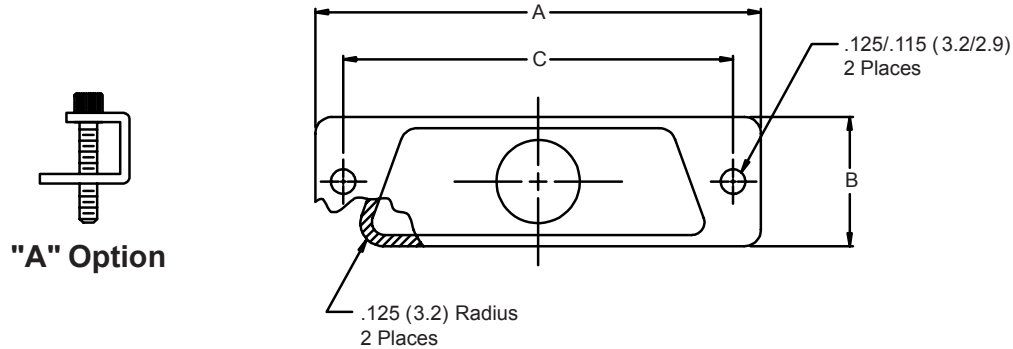
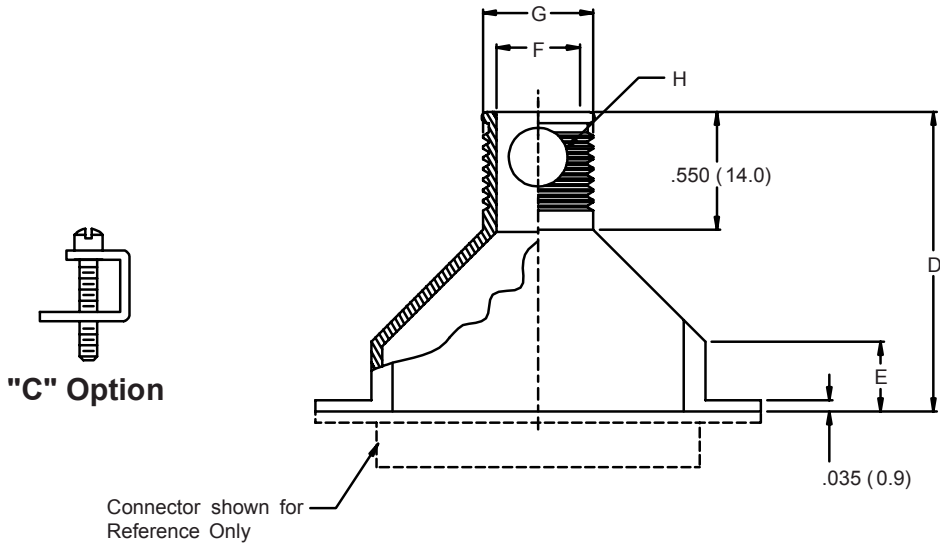
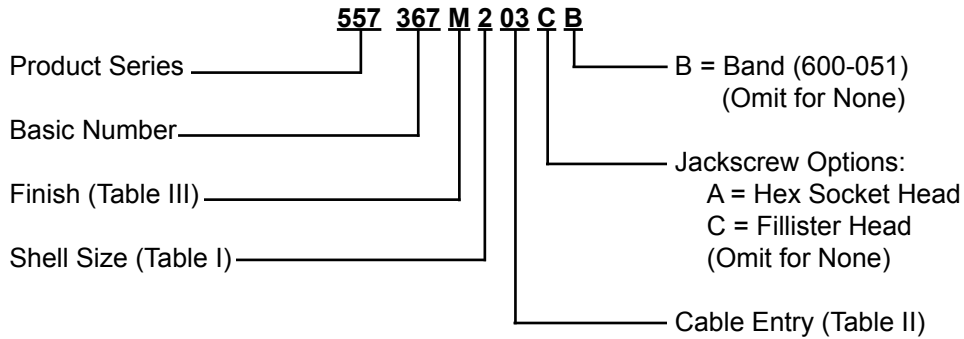


557-367 EMI/RFI Banding Backshell Assembly for MIL-C-24308 Connectors



Metric dimensions (mm) are indicated in parentheses

557-367
EMI/RFI Banding Backshell Assembly
for MIL-C-24308 Connectors



MIL-DTL-24308
D-Subminiature

TABLE I: CONNECTOR INTERFACE DIMENSIONS

| Shell Size | A Dim | B Dim | C Dim ±.005 (0.1) | D Dim | E Dim | Max Entry Size |
|------------|--------------|-------------|----------------------|--------------|-------------|----------------|
| 1 | 1.203 (30.6) | .500 (12.7) | .984 (25.0) | 1.190 (30.2) | .440 (11.2) | 06 |
| 2 | 1.531 (38.9) | .500 (12.7) | 1.312 (33.3) | 1.270 (32.3) | .440 (11.2) | 06 |
| 3 | 2.078 (52.8) | .500 (12.7) | 1.852 (47.0) | 1.550 (39.4) | .500 (12.7) | 06 |
| 4 | 2.718 (69.0) | .500 (12.7) | 2.500 (63.5) | 1.690 (42.9) | .500 (12.7) | 06 |
| 5 | 2.625 (66.7) | .609 (15.5) | 2.406 (61.1) | 1.670 (42.4) | .440 (11.2) | 08 |
| 6 | 2.730 (69.3) | .668 (17.0) | 2.500 (63.5) | 1.690 (42.9) | .500 (12.7) | 09 |

TABLE II: CABLE ENTRY

| Entry Size | F Dia | G Dia | H Dia |
|------------|-------------|-------------|------------|
| 03 | .270 (6.9) | .360 (9.1) | .219 (5.6) |
| 04 | .312 (7.9) | .392 (10.0) | .219 (5.6) |
| 05 | .395 (10.0) | .485 (12.3) | .312 (7.9) |
| 06 | .420 (10.7) | .510 (13.0) | .343 (8.7) |
| 07 | .500 (12.7) | .580 (14.7) | .343 (8.7) |
| 08 | .529 (13.4) | .620 (15.7) | .343 (8.7) |
| 09 | .573 (14.6) | .690 (17.5) | .343 (8.7) |

**TABLE III:
FINISH OPTIONS**

| Symbol | Finish |
|--------|---|
| B | Cadmium Plate/Olive Drab |
| C* | Black Anodize |
| G* | Anodic Hard Coat |
| J | Gold Iridite over Cadmium Plate over Electroless Nickel |
| LF | Cadmium Plate/Bright over Electroless Nickel |
| M | Electroless Nickel |
| N | Cadmium Plate/Olive Drab over Electroless Nickel |
| NC | Zinc Cobalt/Dark Olive Drab |
| NF | Cadmium Plate/Olive Drab over Electroless Nickel |
| T | Cadmium Plate/Bright over Electroless Nickel |
| U** | Cadmium Plate/Black |
| ZN | Zinc-Nickel Alloy/Olive Drab |

*Anodize finish is not suitable for EMI shielding or grounding applications.

**Applicable to corrosion resisting steel backshells and accessories. Consult factory for other available finishes.

Metric dimensions (mm) are indicated in parentheses