

**M85049/48-2**  
**Rectangular Strain-Relief Backshells**  
**for Unjacketed Wire Bundles**



MIL-DTL-24308  
D-Subminiature

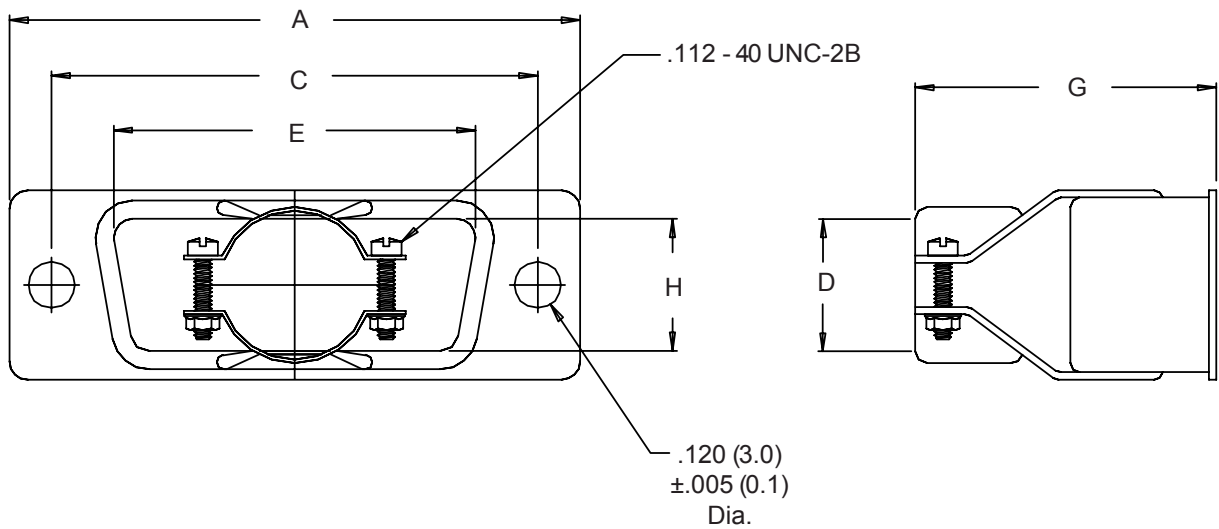
**M85049/48-2-3 F**

Basic Part No. \_\_\_\_\_

Dash No. \_\_\_\_\_

Finish \_\_\_\_\_

F = Yellow Chromate over Cadmium



**TABLE I: CONNECTOR INTERFACE & BACKSHELL DIMENSIONS**

Dash No.	A $\pm .015$ (0.4)	C $\pm .005$ (.1)	D	E $\pm .015$ (0.4)	G $\pm .030$ (0.8)	H $\pm .015$ (0.4)
1	1.208 (30.7)	.984 (25.0)	.406 (10.3)	.661 (16.8)	1.031 (26.2)	.344 (8.7)
2	1.531 (38.9)	1.312 (33.3)	.406 (10.3)	.984 (25.0)	1.031 (26.2)	.344 (8.7)
3	2.078 (52.8)	1.852 (47.0)	.593 (15.1)	1.515 (38.5)	1.062 (27.0)	.344 (8.7)
4	2.718 (69.0)	2.500 (63.5)	.718 (18.2)	2.171 (55.1)	1.062 (27.0)	.344 (8.7)
5	2.625 (66.7)	2.406 (61.1)	.812 (20.6)	2.093 (53.2)	1.062 (27.0)	.438 (11.1)

1. For complete dimensions see applicable Military Specification.
2. Metric dimensions (mm) are indicated in parentheses.
3. Material: Steel.