

500-023
Split EMI/RFI Banding Backshell
for MIL-DTL-81659 Connectors



MIL-DTL-81659

500-023 M H

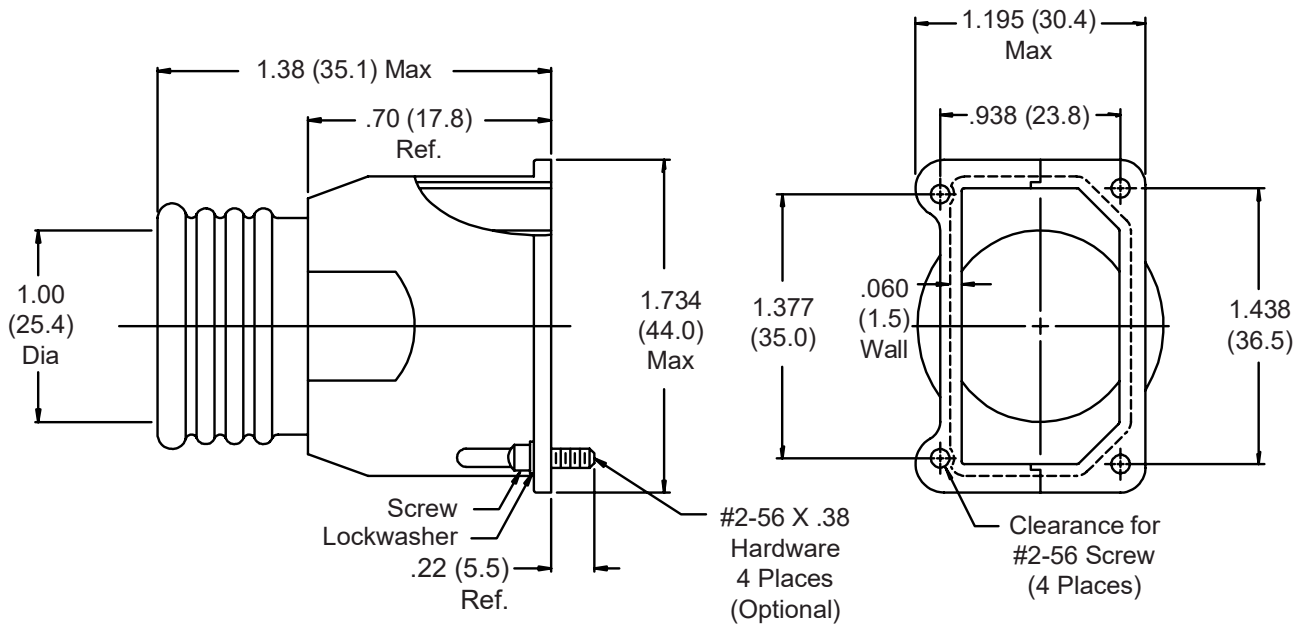
Basic Part No. _____

Finish: _____

B = Cadmium Plate/Olive Drab
M = Electroless Nickel
N = Cadmium Plate/Olive Drab over Nickel Plate
Omit for Cadmium Olive Drab Over
Electroless Nickel (1000 Hour Salt Spray)

H = Hardware Supplied _____

CH = Captivated Hardware
Omit for None



1. Metric dimensions (mm) are indicated in parentheses.
2. Material/Finish:
Backshell = Al Alloy/Finish Per Part Number Development
Hardware = SST/Passivate
Gasket = Metex/N.A.